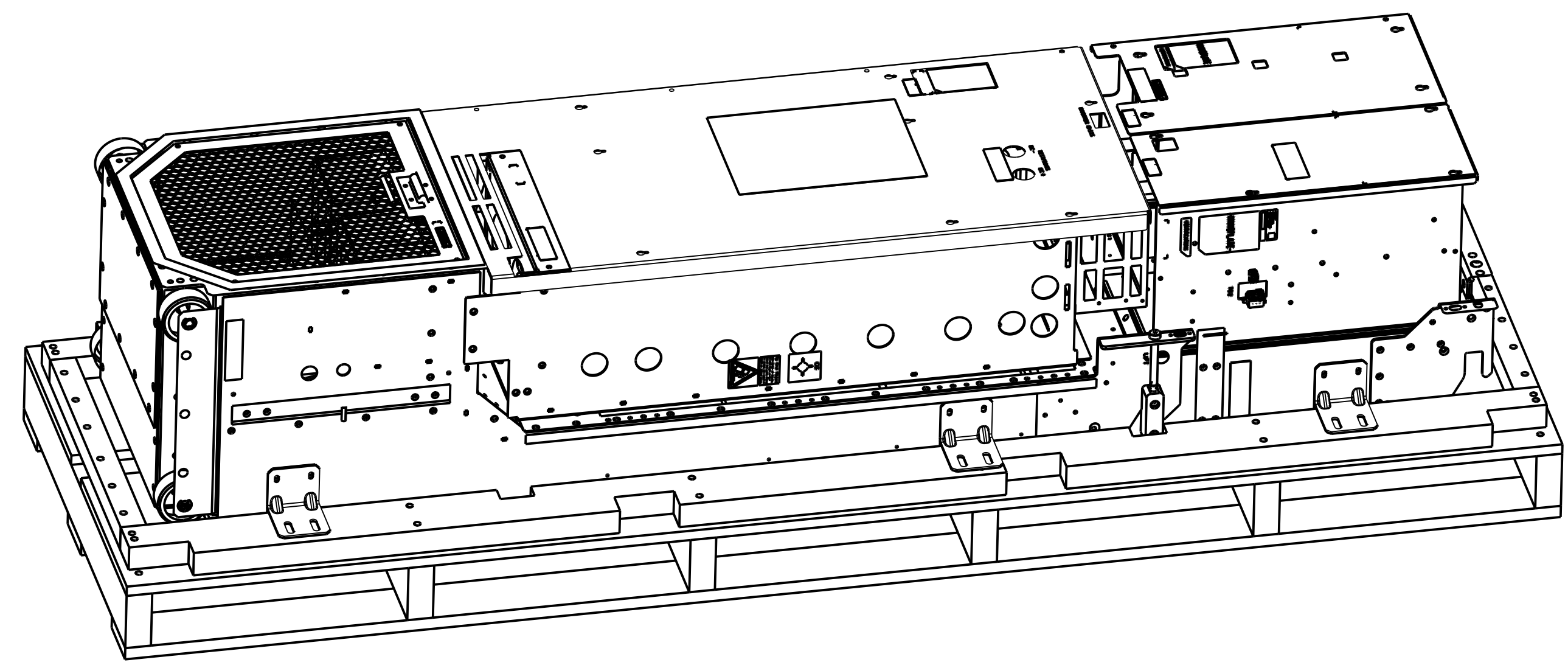
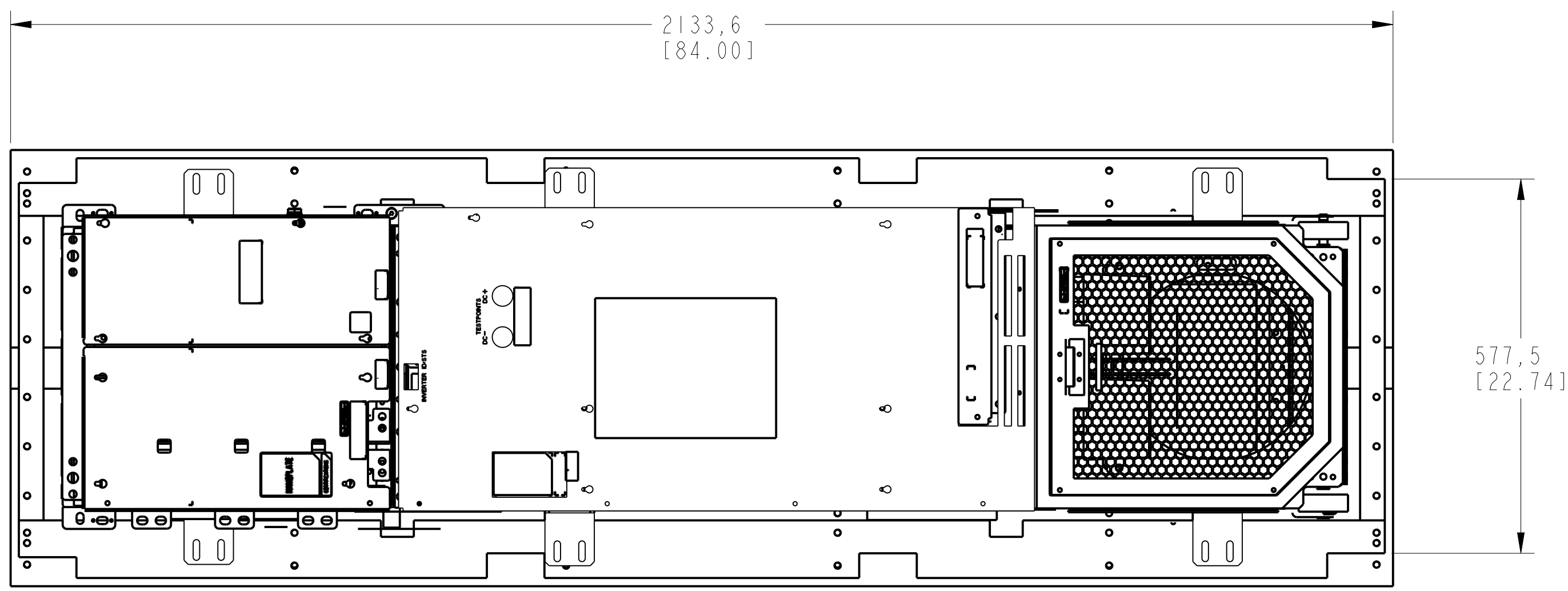
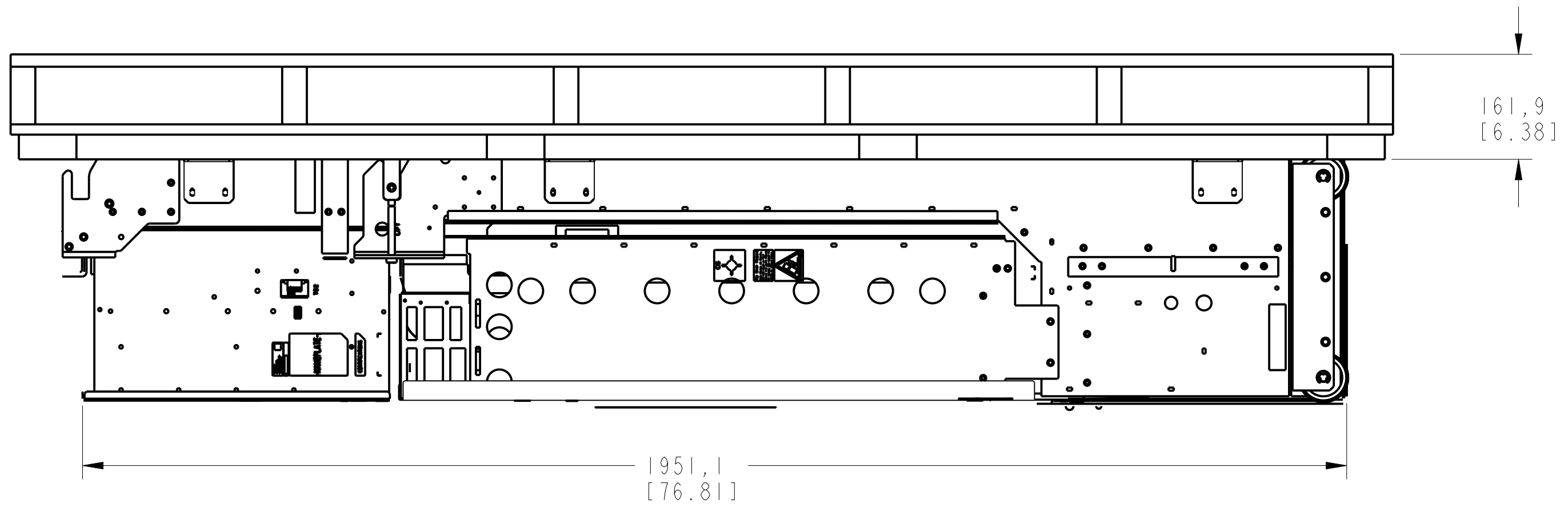
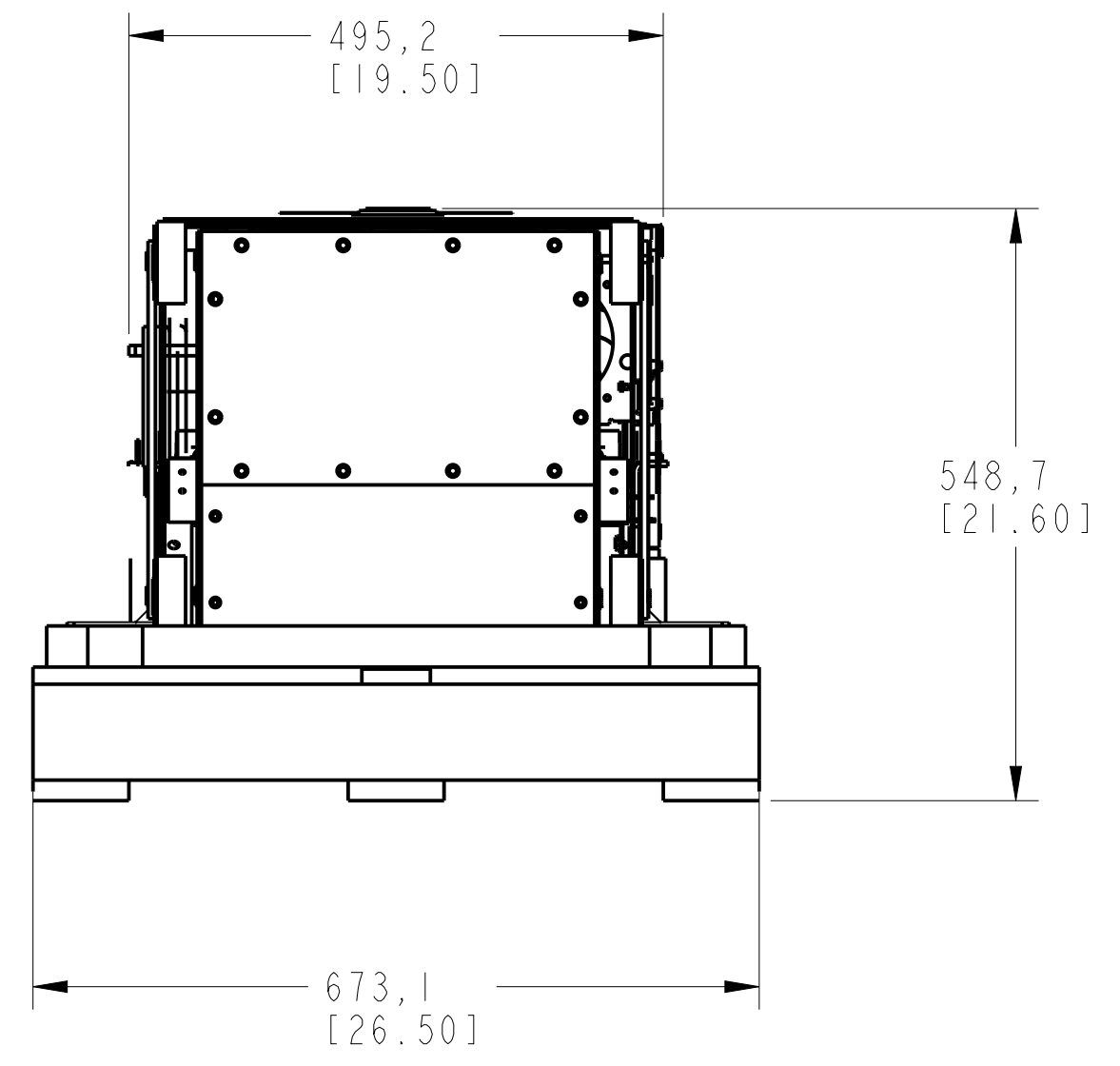
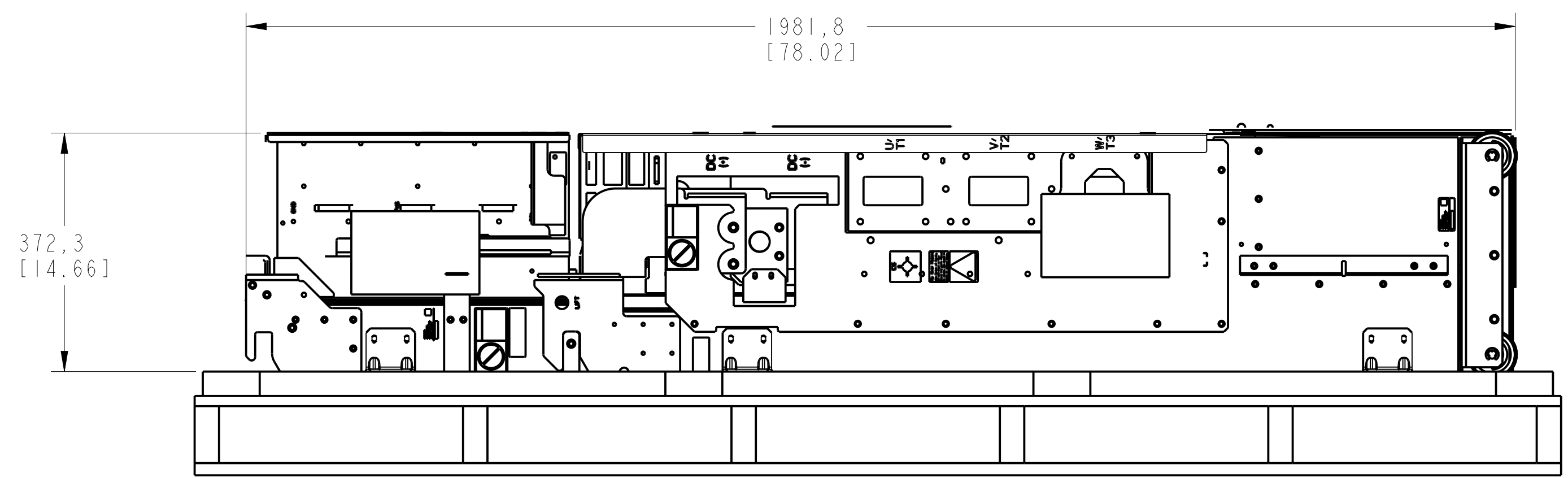


CRITICAL TO QUALITY CLASSIFICATION TABLE				
P=PERFORMANCE, F=FIT, A=ASSEMBLY				
X=IDENTIFIES APPLICABLE CLASSIFICATION(S)				
◇=ENGINEERING AND/OR MANUFACTURING REQUIREMENT				
⊙=REGULATORY REQUIREMENT-CONFORMANCE IS MANDATORY				
COMMENTS	DRAWING ZONE	◇	◇	◇
ROHS	G1-H1			X



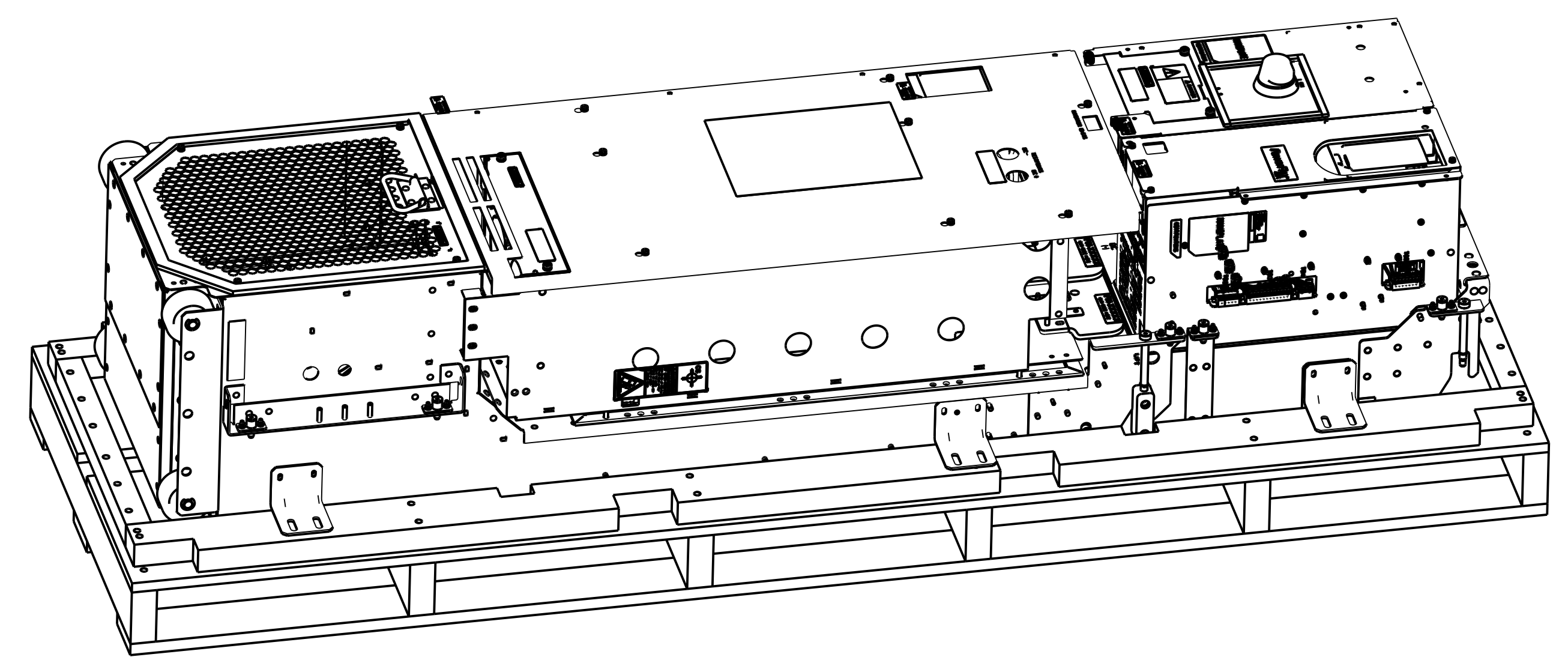
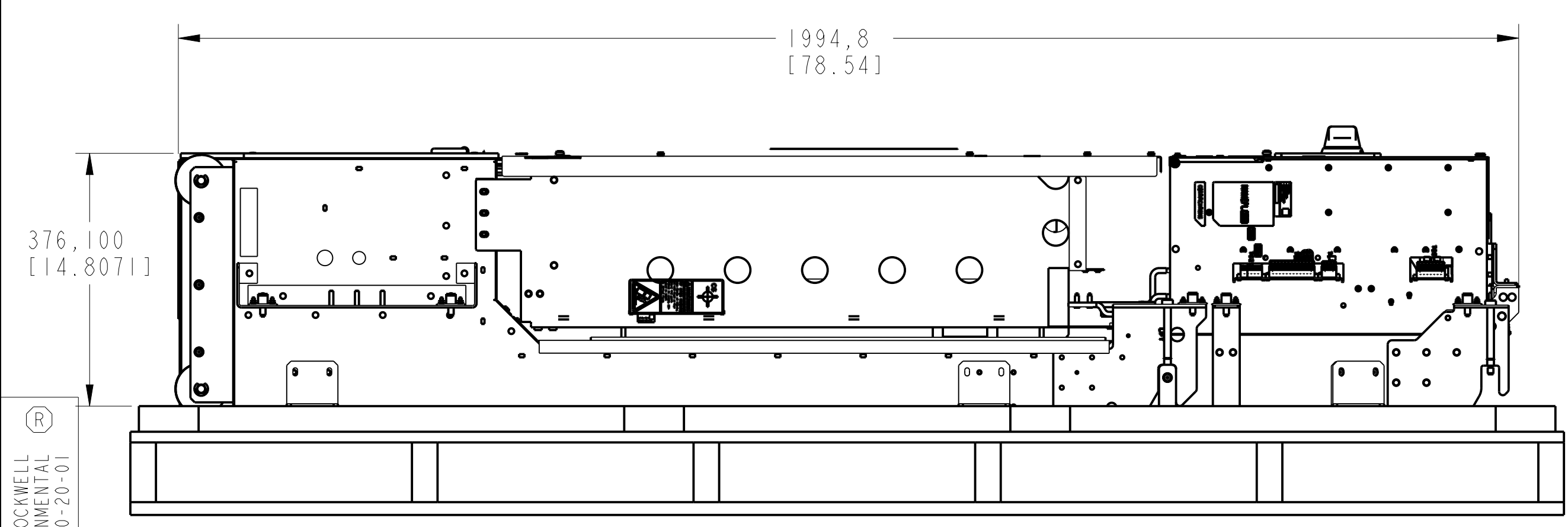
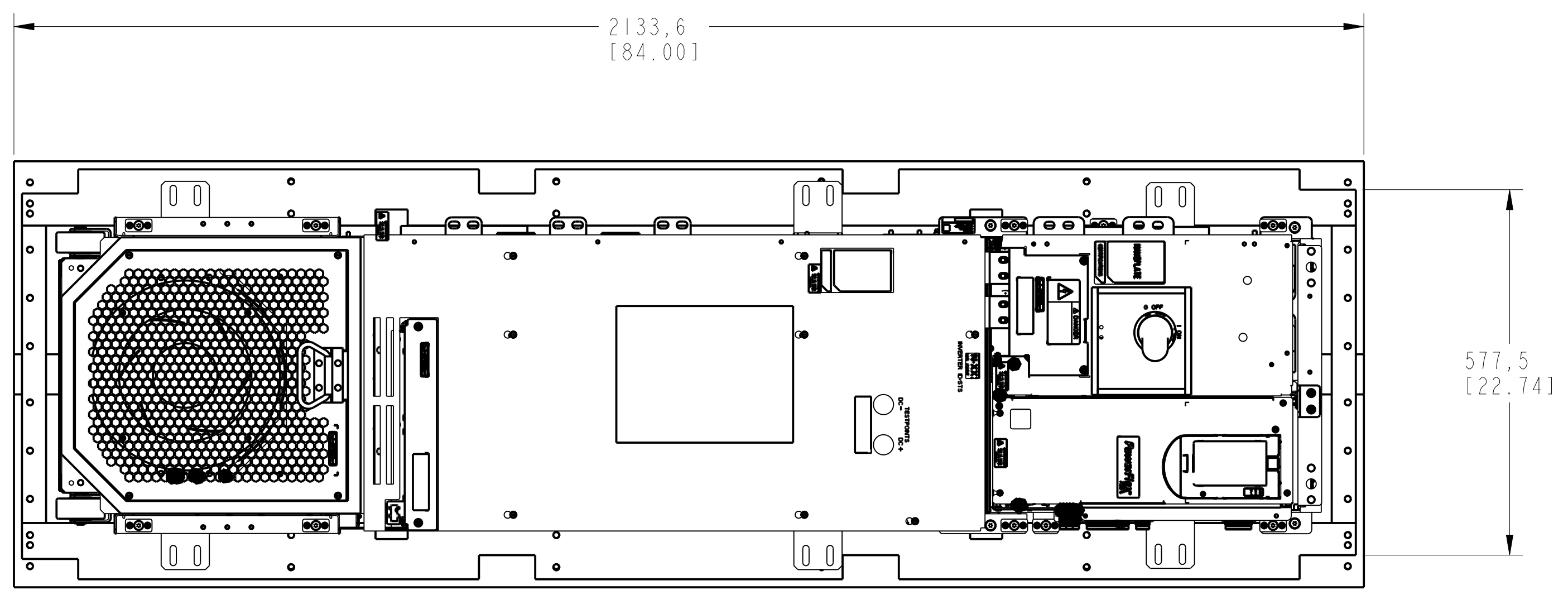
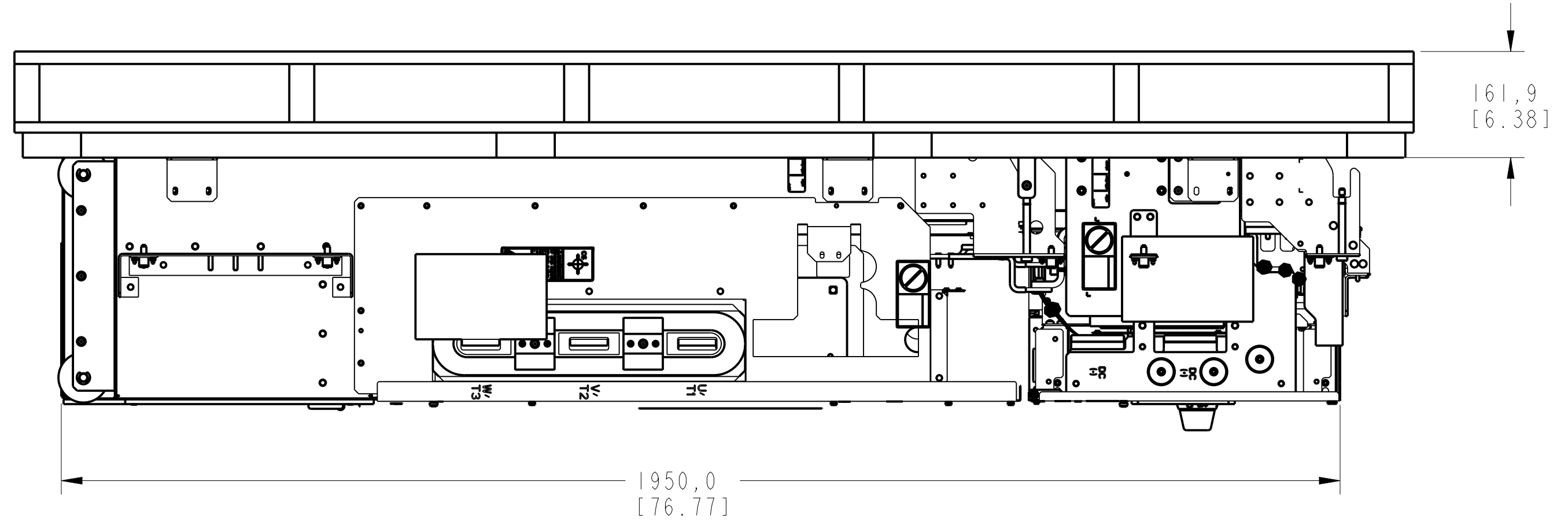
AC INPUT
POWER CORE ASSEMBLY
SCALE 0.150



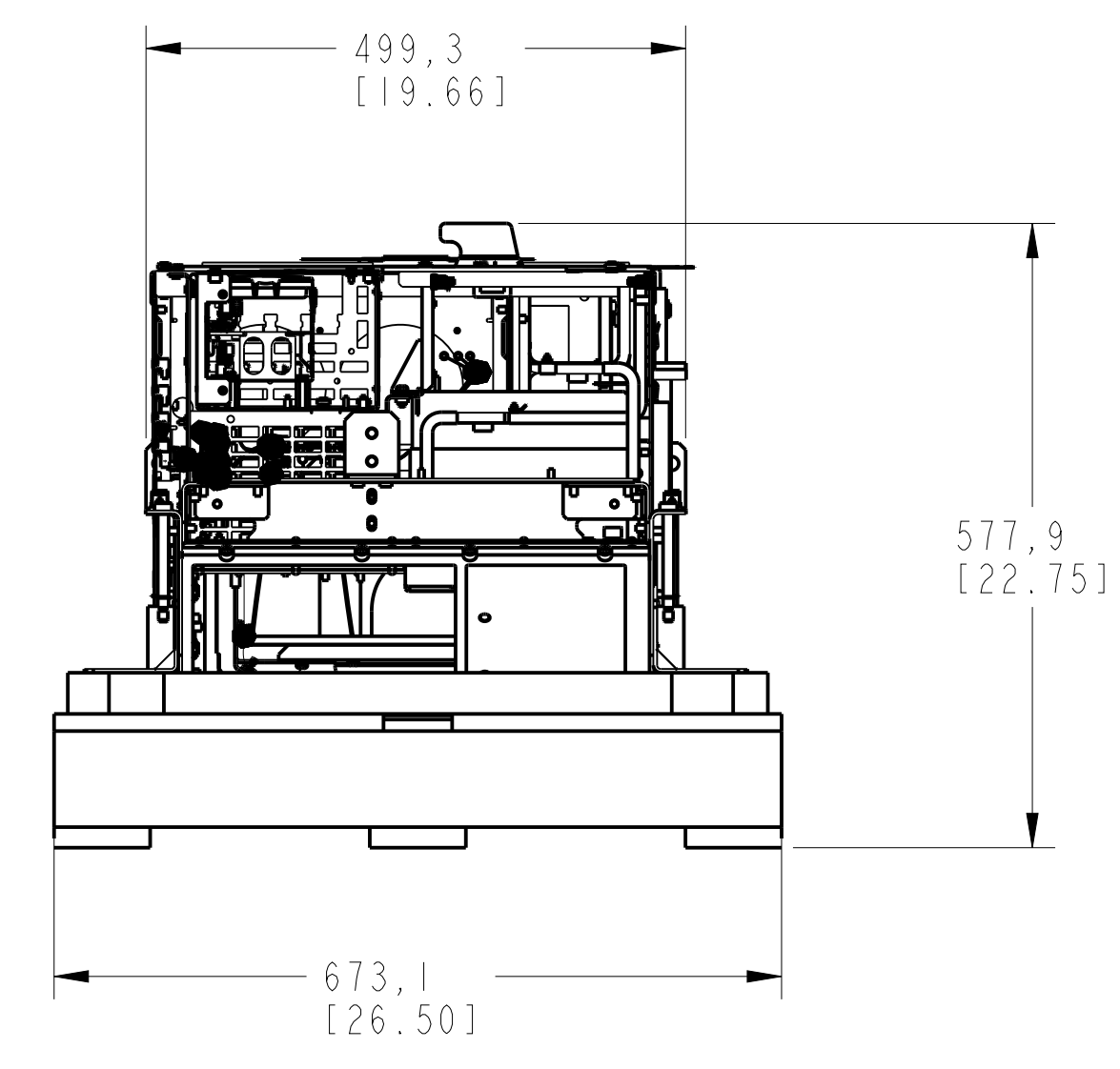
Ⓜ MUST COMPLY WITH ROCKWELL AUTOMATION ENVIRONMENTAL SPECIFICATION 970-20-01

		CONFIDENTIAL AND PROPRIETARY INFORMATION THIS DOCUMENT CONTAINS CONFIDENTIAL AND PROPRIETARY INFORMATION OF ROCKWELL AUTOMATION, INC. AND MAY NOT BE USED, COPIED OR DISCLOSED TO OTHERS, EXCEPT WITH THE AUTHORIZED WRITTEN PERMISSION OF ROCKWELL AUTOMATION, INC.	
DESCRIPTION	STANDARD PF750-FRAME-8-AC-IP00	DATE: 2019-02-18	SHEET 1 OF 2
CREATED BY: DWPFEIFE	CHANGED BY: TPSI	SIZE: D	VER: 08
		10000095408	

CRITICAL TO QUALITY CLASSIFICATION TABLE				
	P=PERFORMANCE, F=FIT, A=ASSEMBLY			
	X=IDENTIFIES APPLICABLE CLASSIFICATION(S)			
	◇=ENGINEERING AND/OR MANUFACTURING REQUIREMENT			
	⊙=REGULATORY REQUIREMENT-CONFORMANCE IS MANDATORY			
COMMENTS	DRAWING ZONE	◇	◇	◇
ROHS	GI-HI			X



DC INPUT
POWER CORE ASSEMBLY
SCALE 0.150



Ⓜ MUST COMPLY WITH ROCKWELL
AUTOMATION ENVIRONMENTAL
SPECIFICATION 970-20-01

	<small>CONFIDENTIAL AND PROPRIETARY INFORMATION THIS DOCUMENT CONTAINS CONFIDENTIAL AND PROPRIETARY INFORMATION OF ROCKWELL AUTOMATION, INC. AND MAY NOT BE USED, COPIED OR DISCLOSED TO OTHERS, EXCEPT WITH THE AUTHORIZED WRITTEN PERMISSION OF ROCKWELL AUTOMATION, INC.</small>	
	DATE: 2019-02-18 SIZE: D1R CREATED BY: DWPFEIFE CHANGED BY: TPSI	SHEET 2 OF 2 VER 08
DESCRIPTION STANDARD PF750-FRAME-8-DC-IP00	D	10000095408