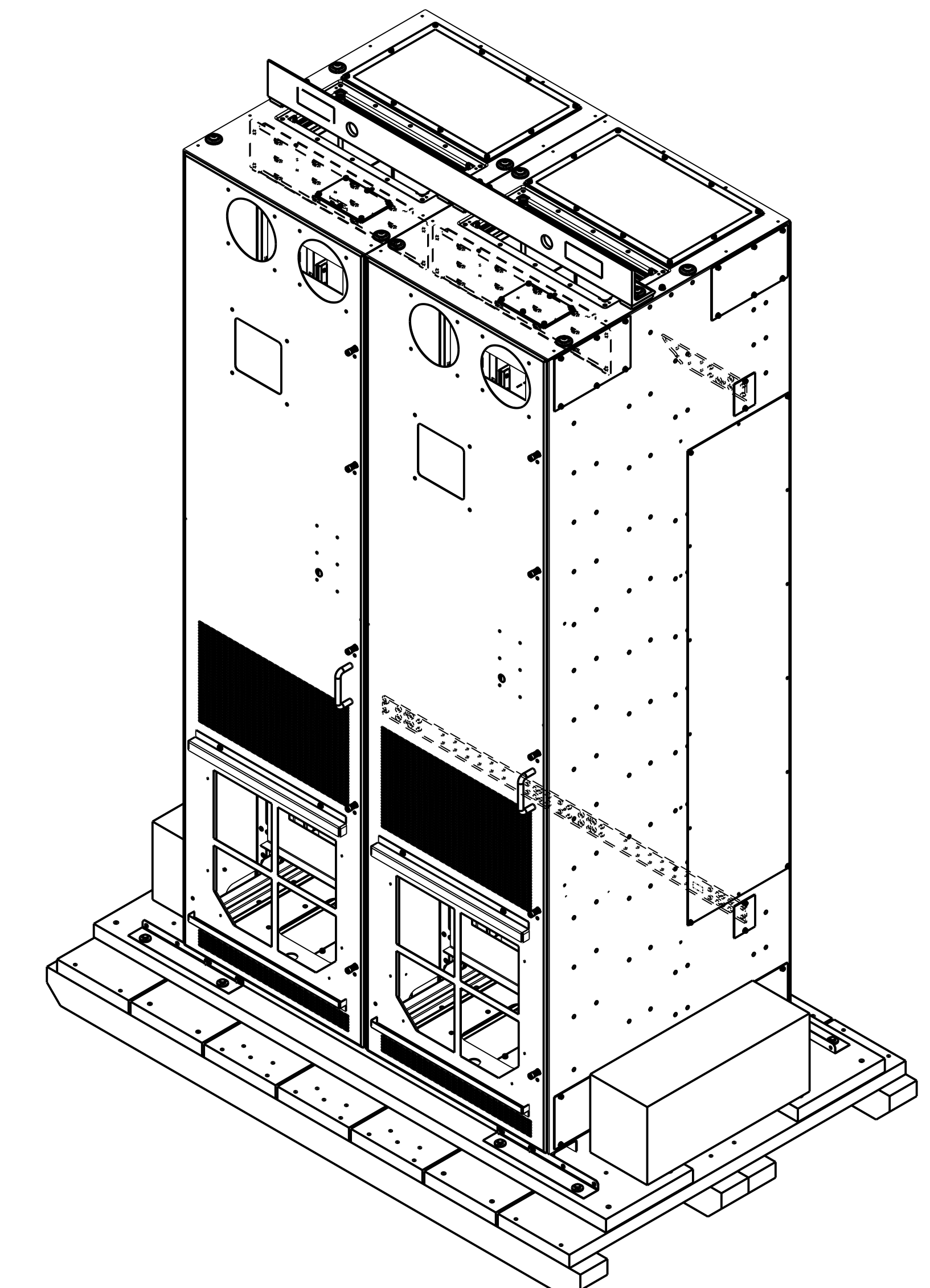
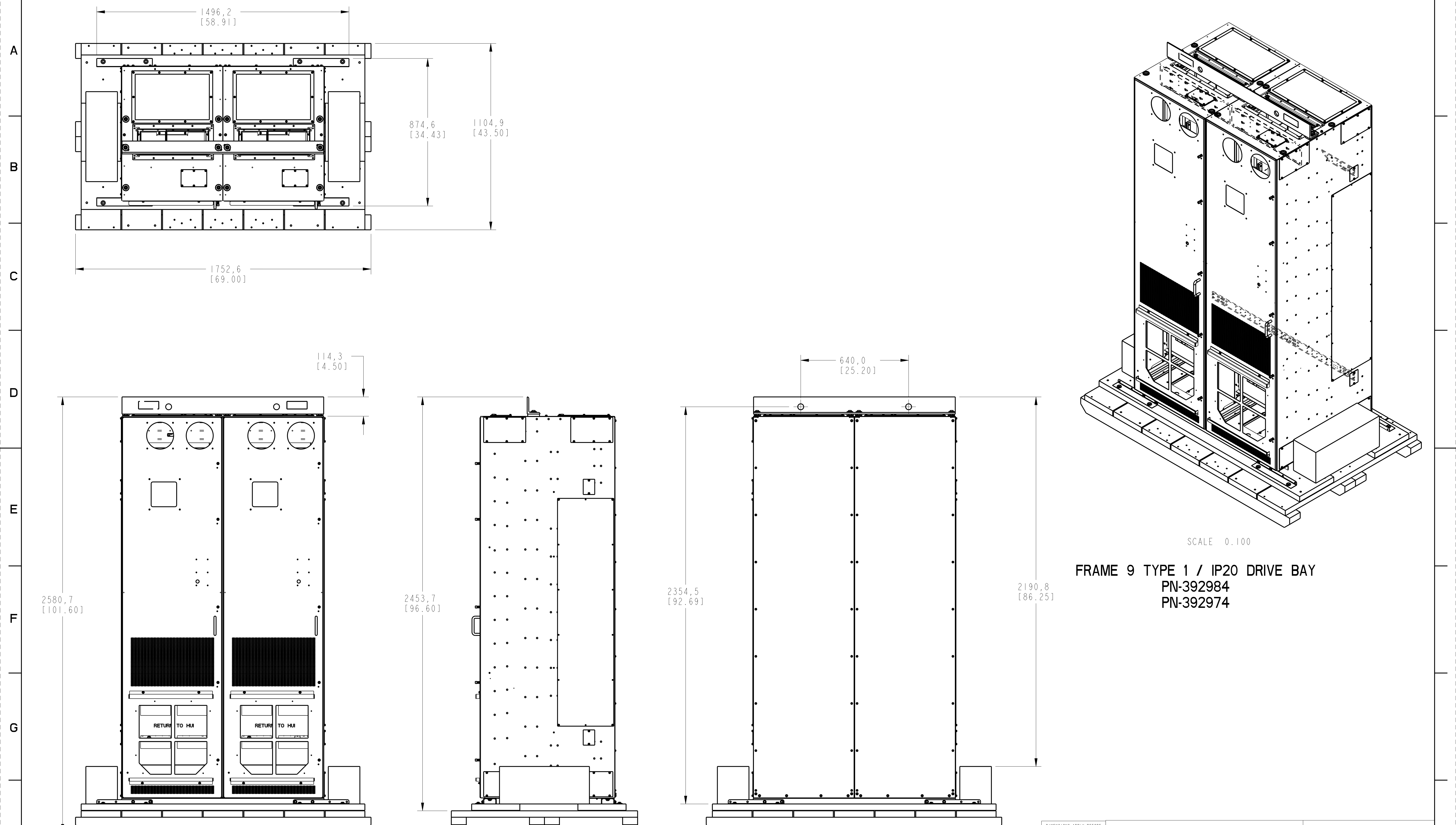


1 2 3 4 5 6 7 8



SCALE 0.100

FRAME 9 TYPE 1 / IP20 DRIVE BAY
 PN-392984
 PN-392974

DIMENSIONS APPLY BEFORE SURFACE TREATMENT
 DIMENSIONS IN MILLIMETERS
 TOLERANCES UNLESS OTHERWISE SPECIFIED

.X:±	0,8
.XX:±	0,51
ANG:±	1°

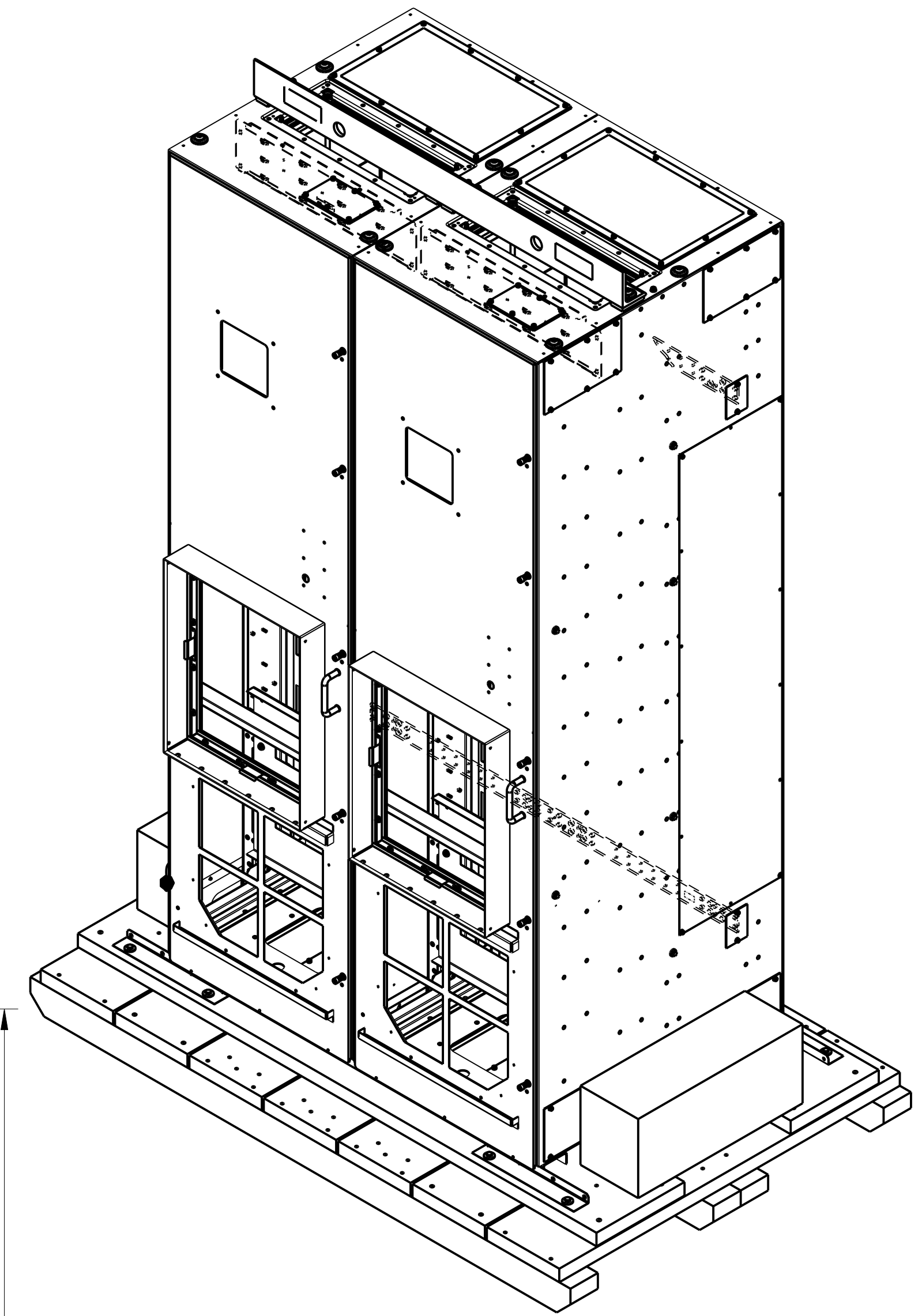
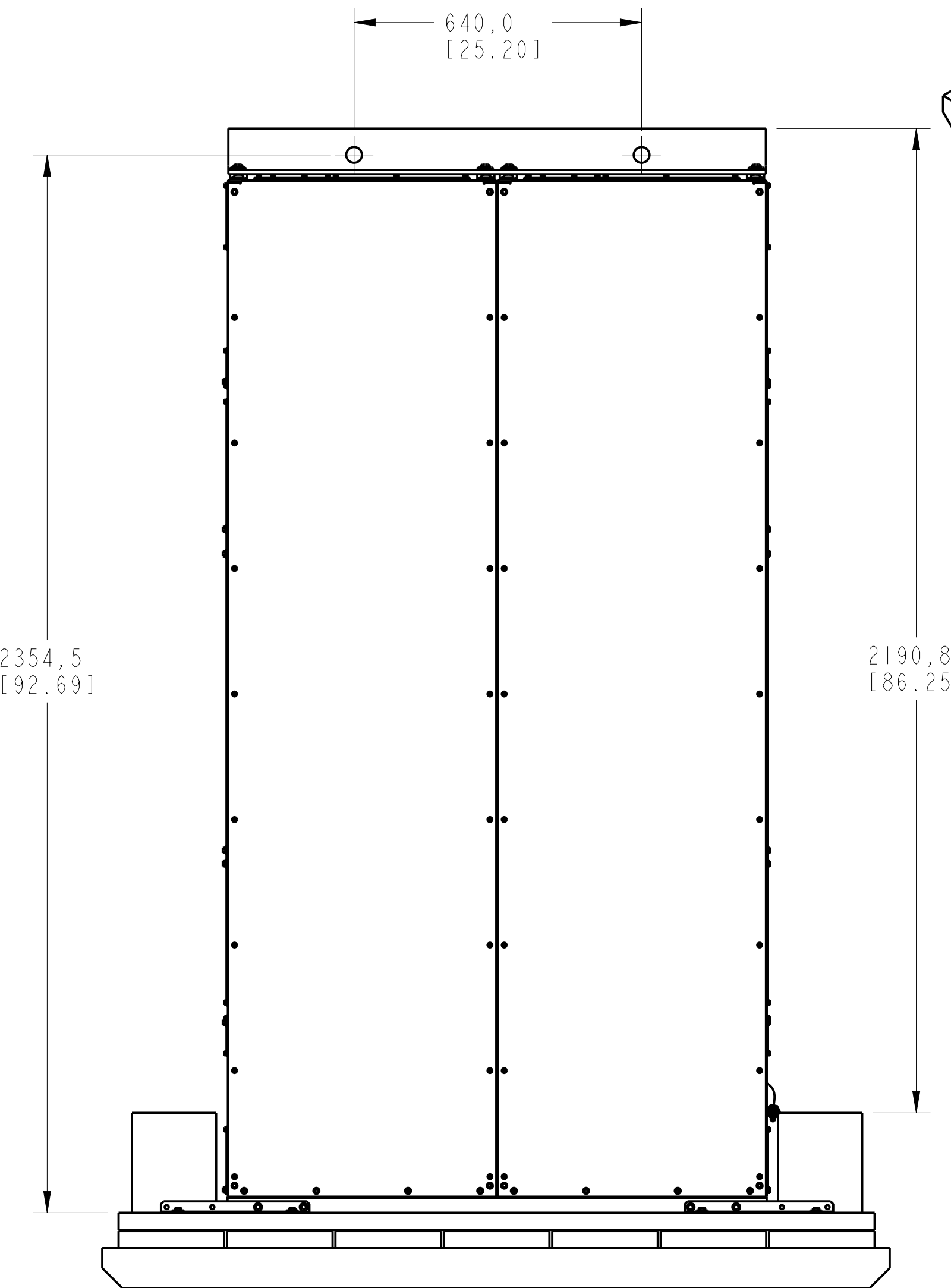
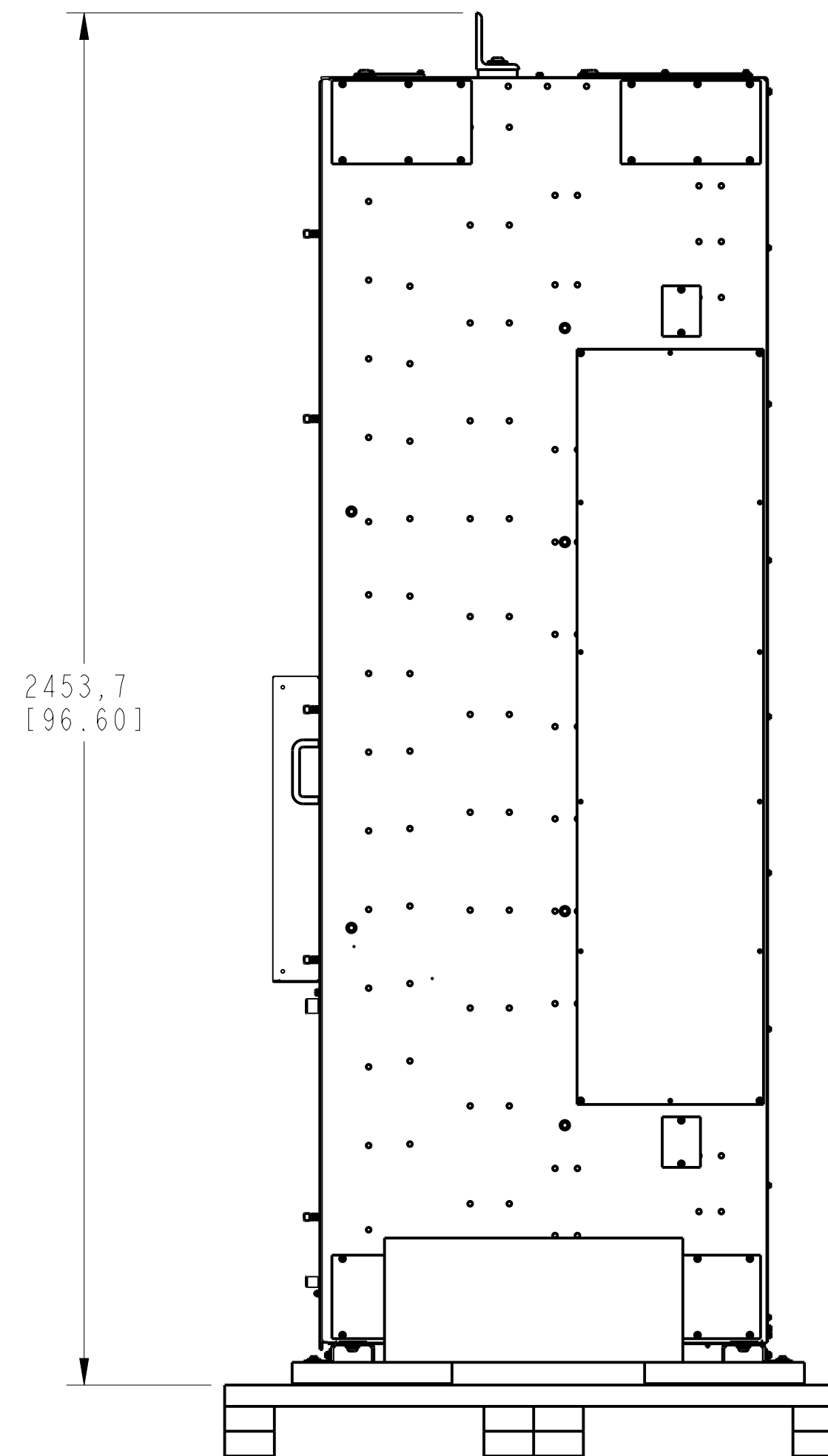
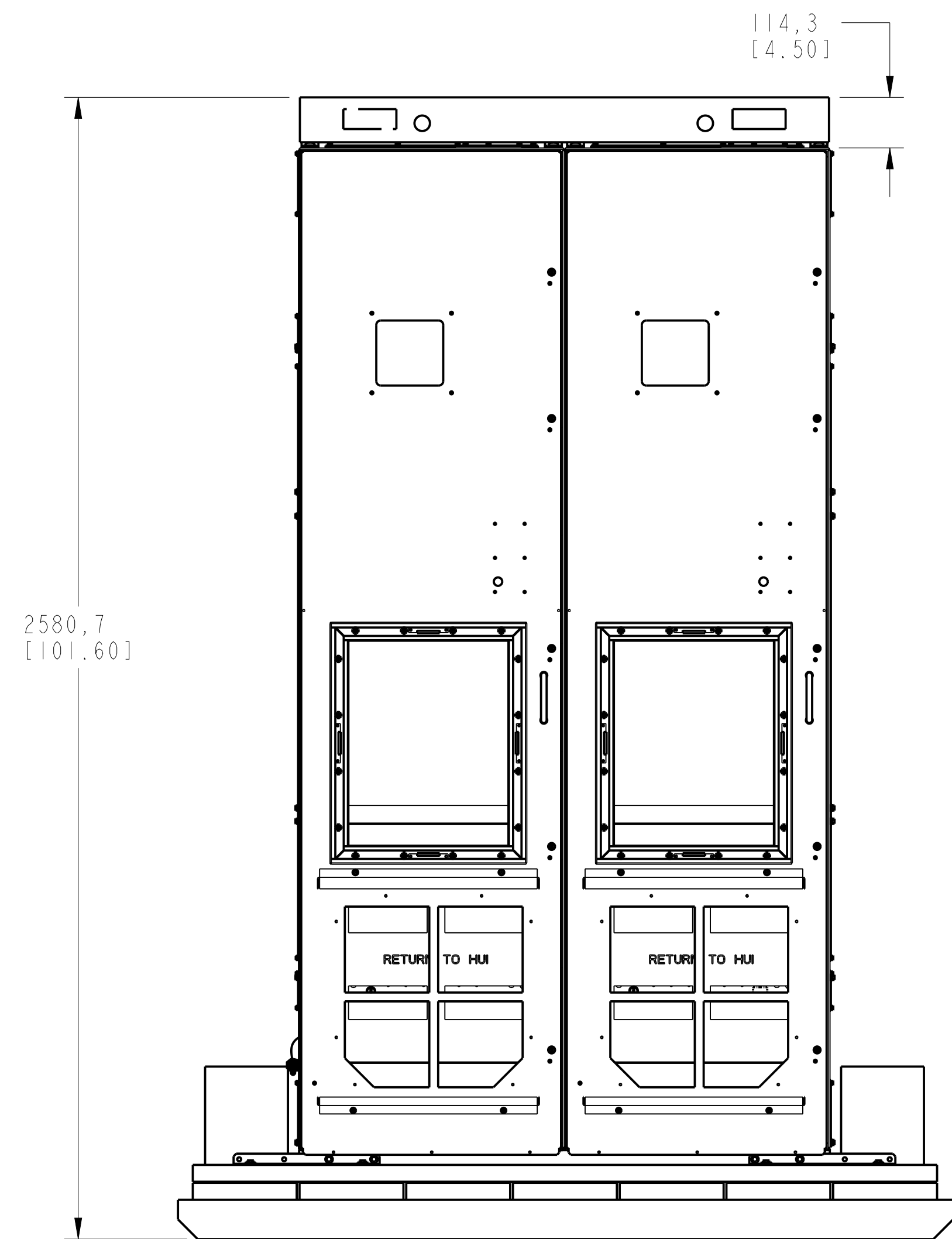
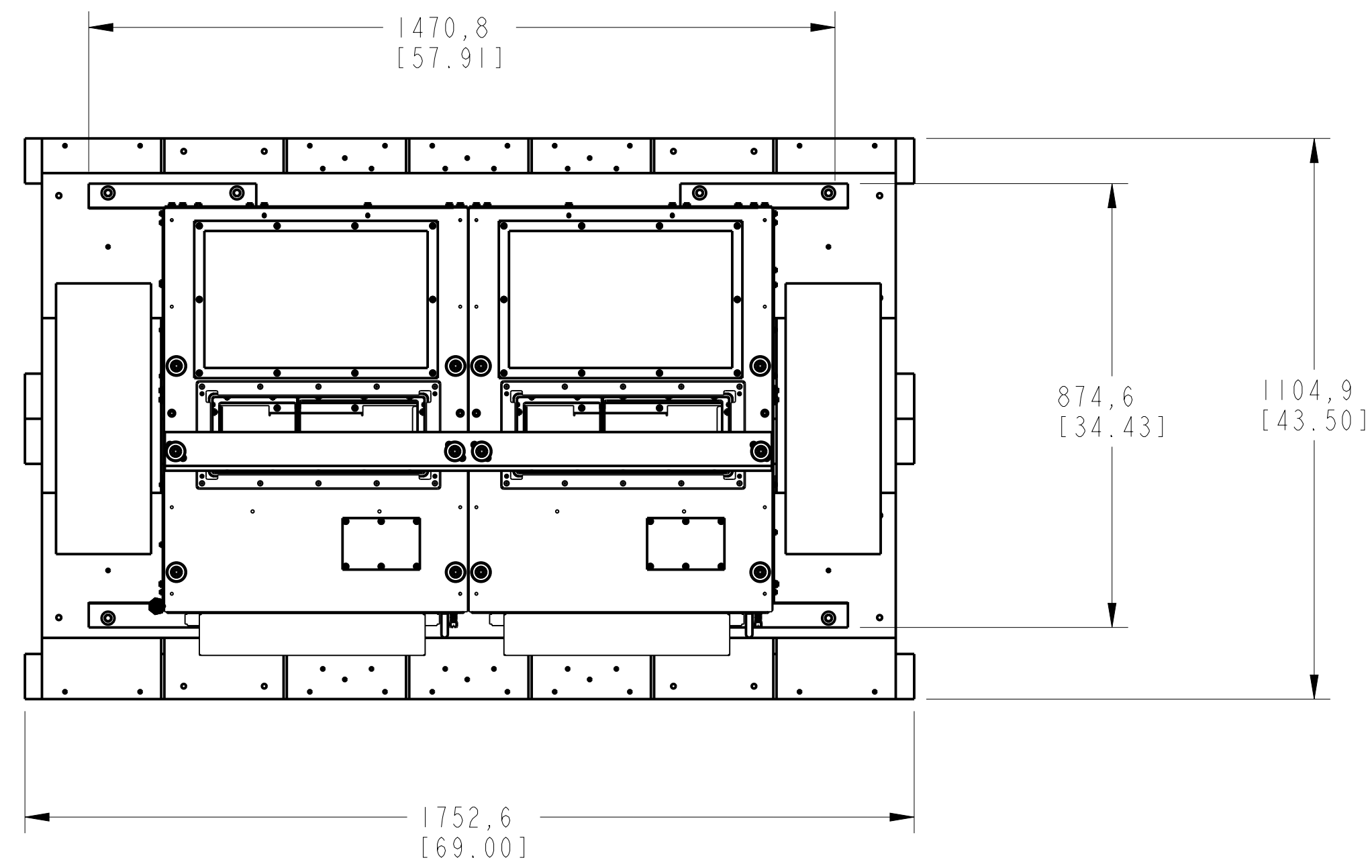
Rockwell Automation

STANDARD PF750-FRAME-9-AC-800mm-IP20

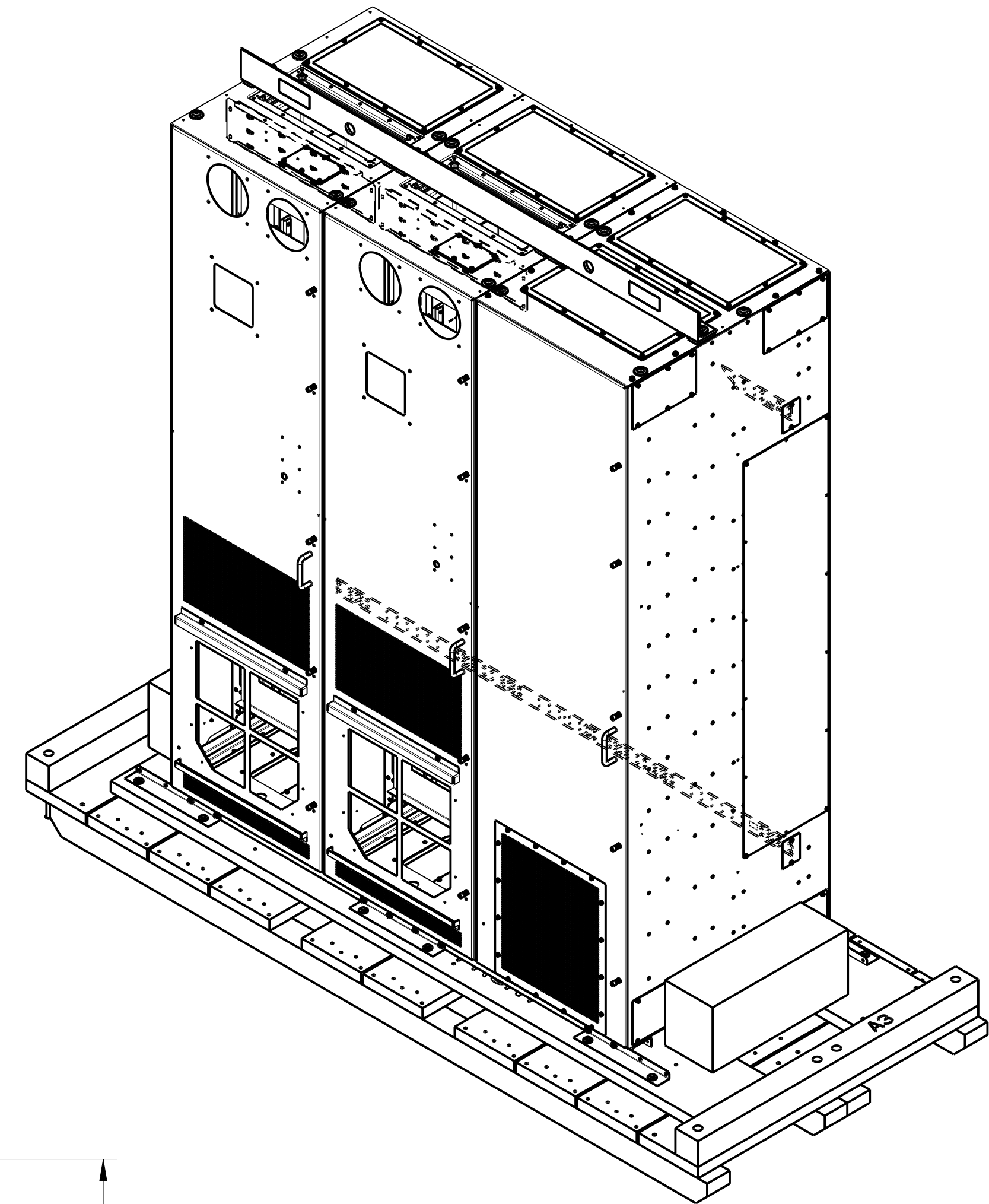
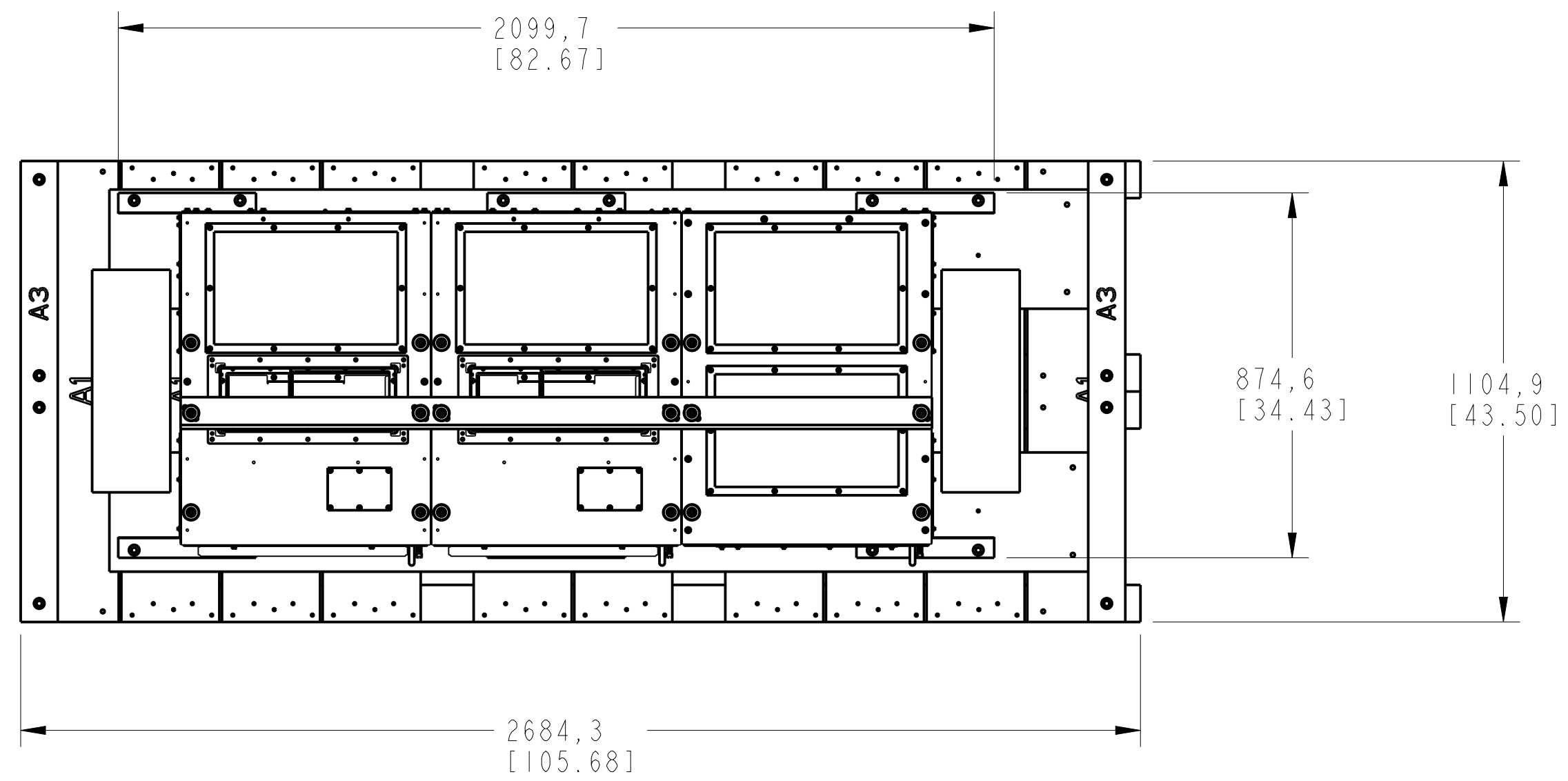
Drawn by: SRAMAMU Date: APR-28-2017

CONFIDENTIAL AND PROPRIETARY INFORMATION
 THIS DOCUMENT CONTAINS CONFIDENTIAL AND PROPRIETARY INFORMATION OF ROCKWELL AUTOMATION, INC. AND MAY NOT BE USED, COPIED OR DISCLOSED TO OTHERS, EXCEPT WITH THE AUTHORIZED WRITTEN PERMISSION OF ROCKWELL AUTOMATION, INC.

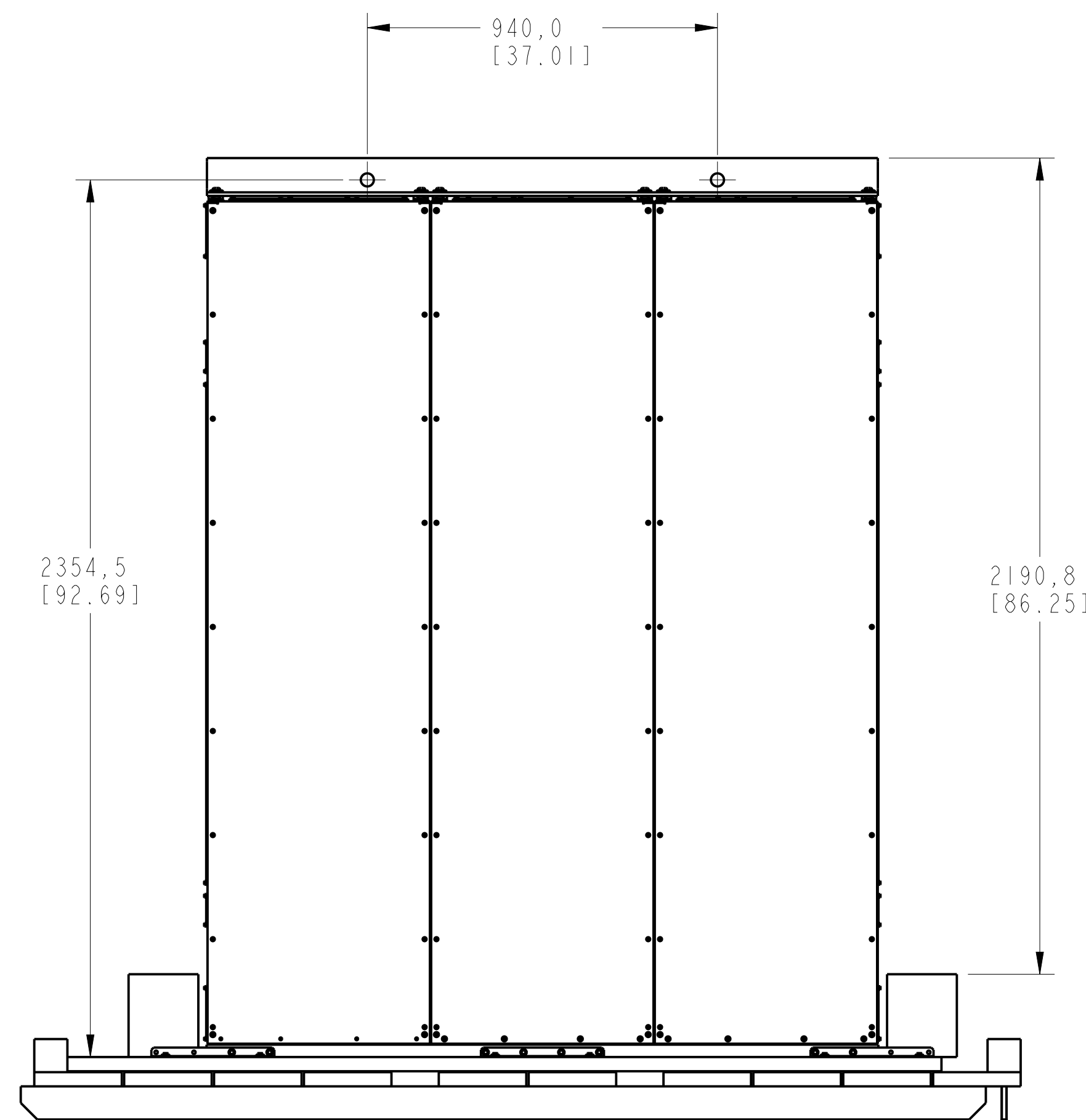
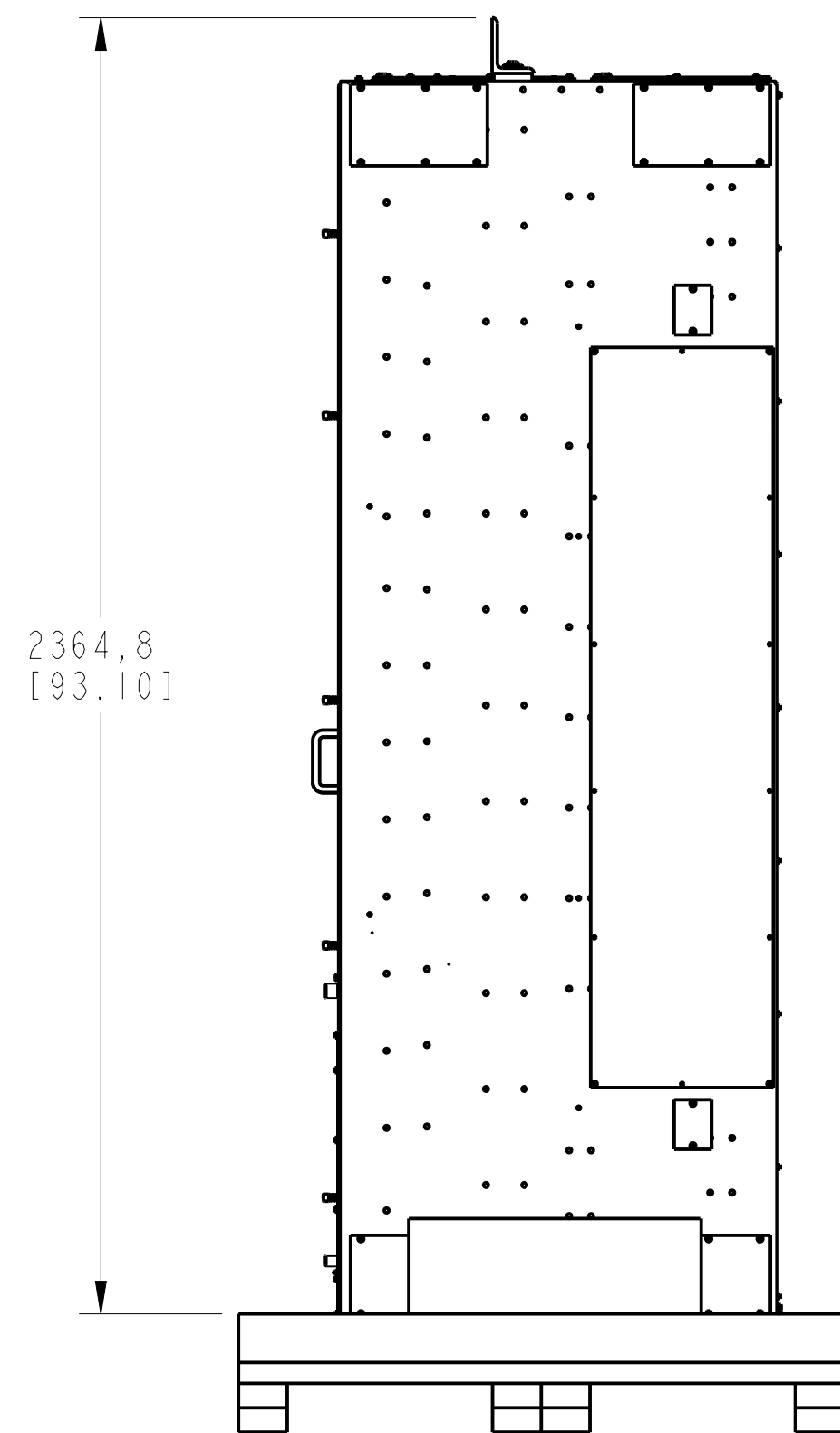
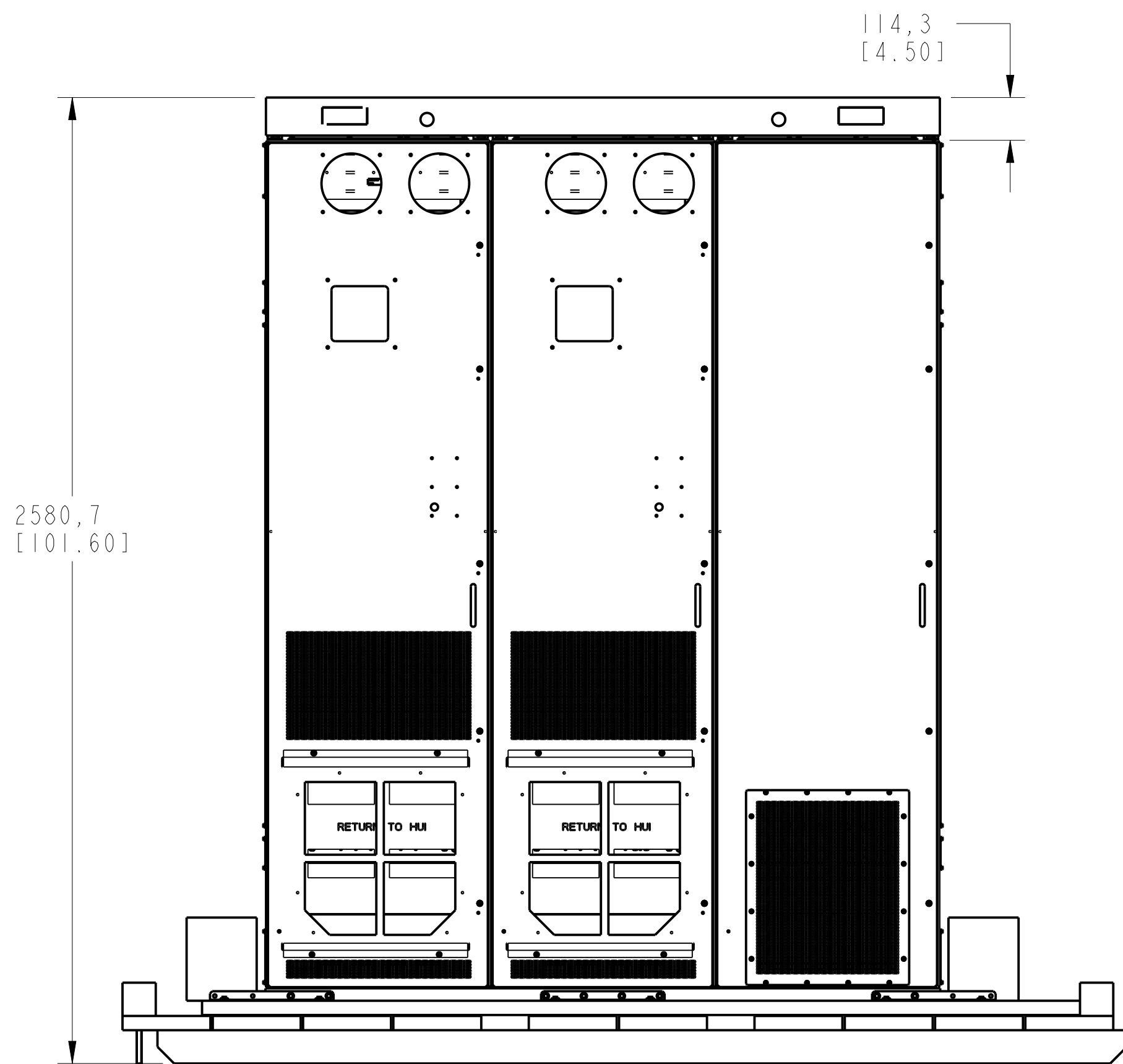
Sheet 9 Of 36	Ver
10000222178	10



FRAME 9 TYPE 12 / IP54 DRIVE BAY
 PN-393194
 PN-393213



FRAME 9 TYPE 1 / IP20 DRIVE W/WIRE BAY
 PN-392960
 PN-392979



DIMENSIONS APPLY BEFORE SURFACE TREATMENT
 DIMENSIONS IN MILLIMETERS
 TOLERANCES UNLESS OTHERWISE SPECIFIED

.X:	± 0,8
.XX:	± 0,51
ANG:	± 1°

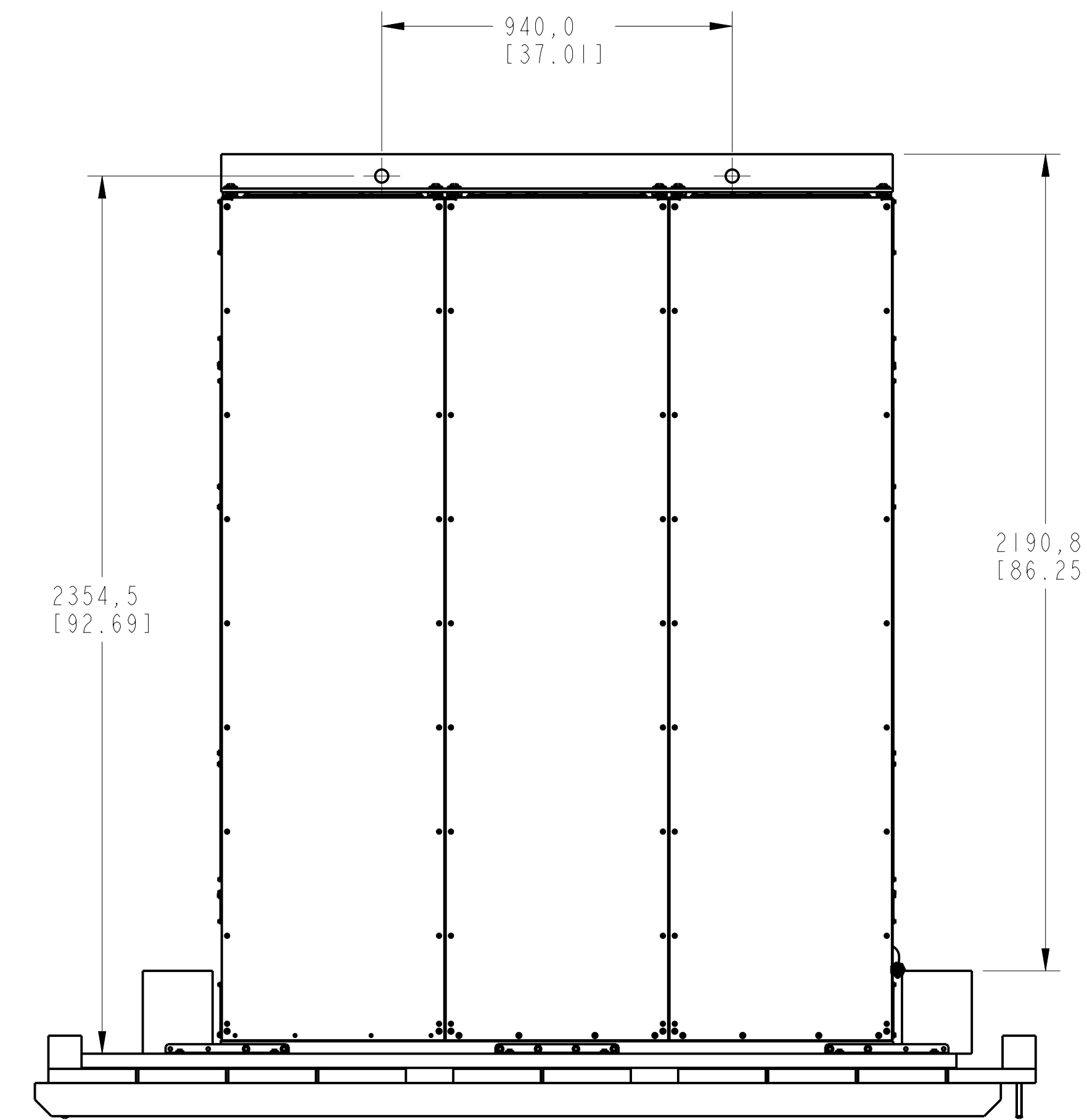
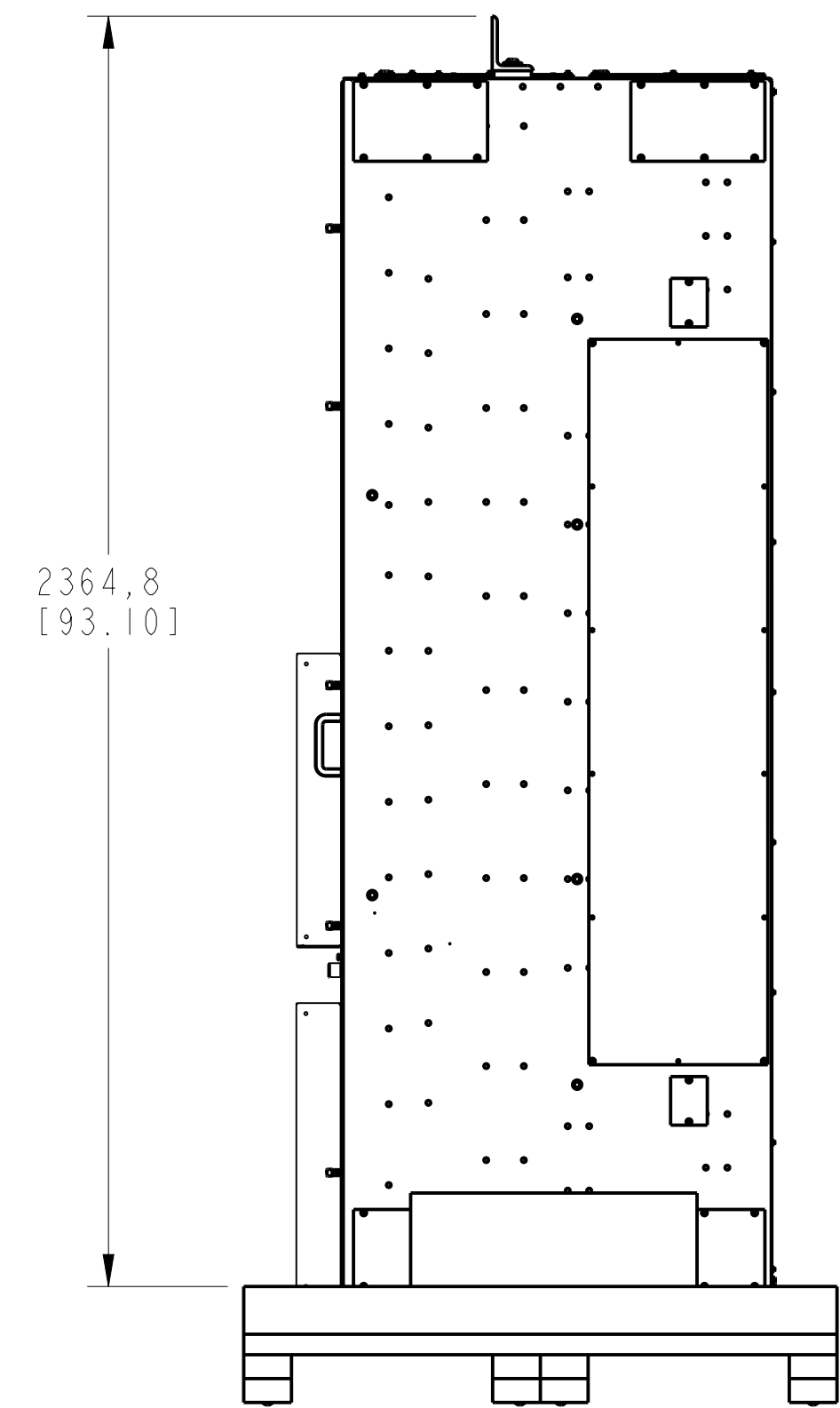
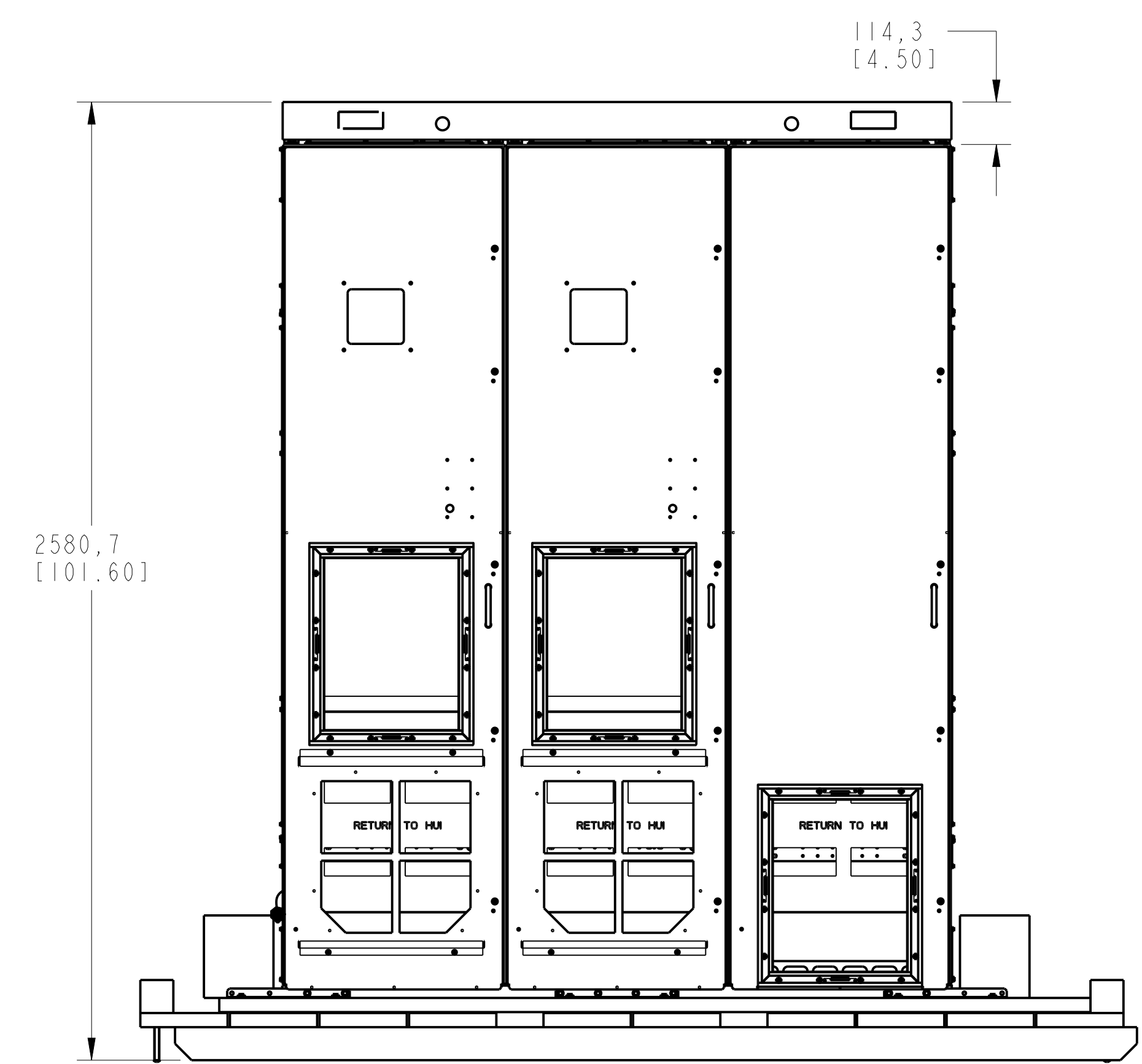
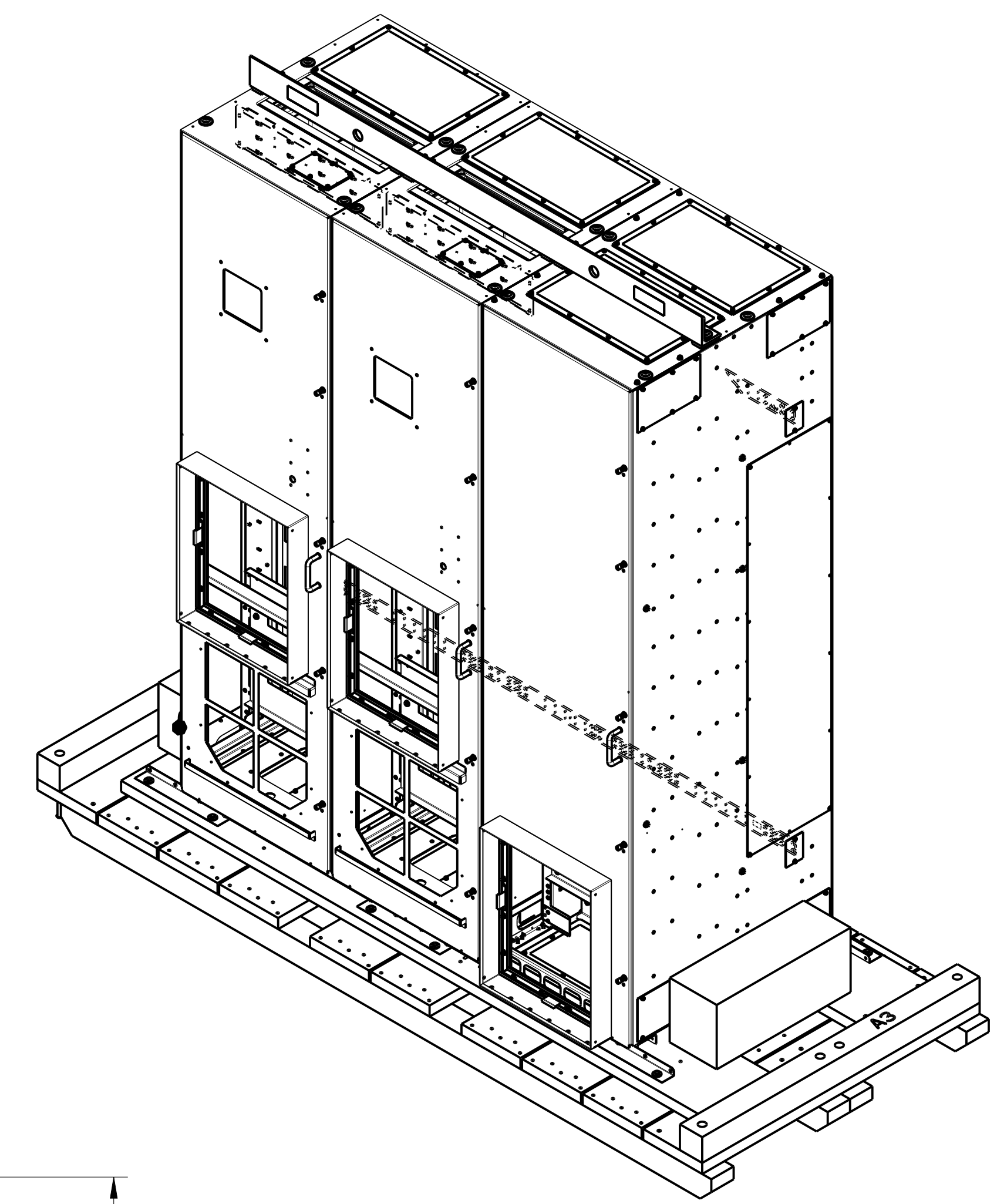
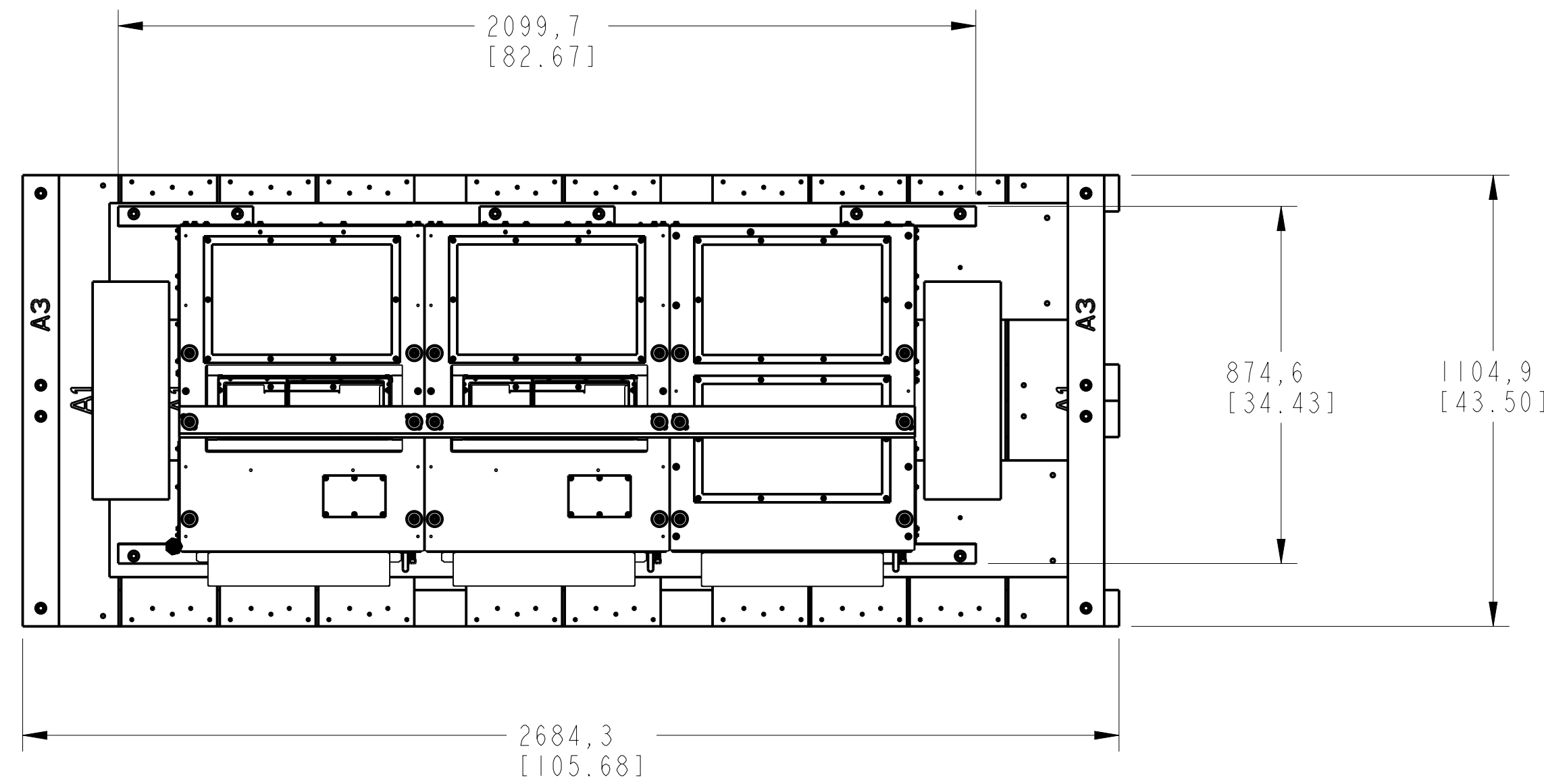
Rockwell Automation

STANDARD PF750-FRAME-9-AC-600mm
 WITH WIRING BAY-IP20

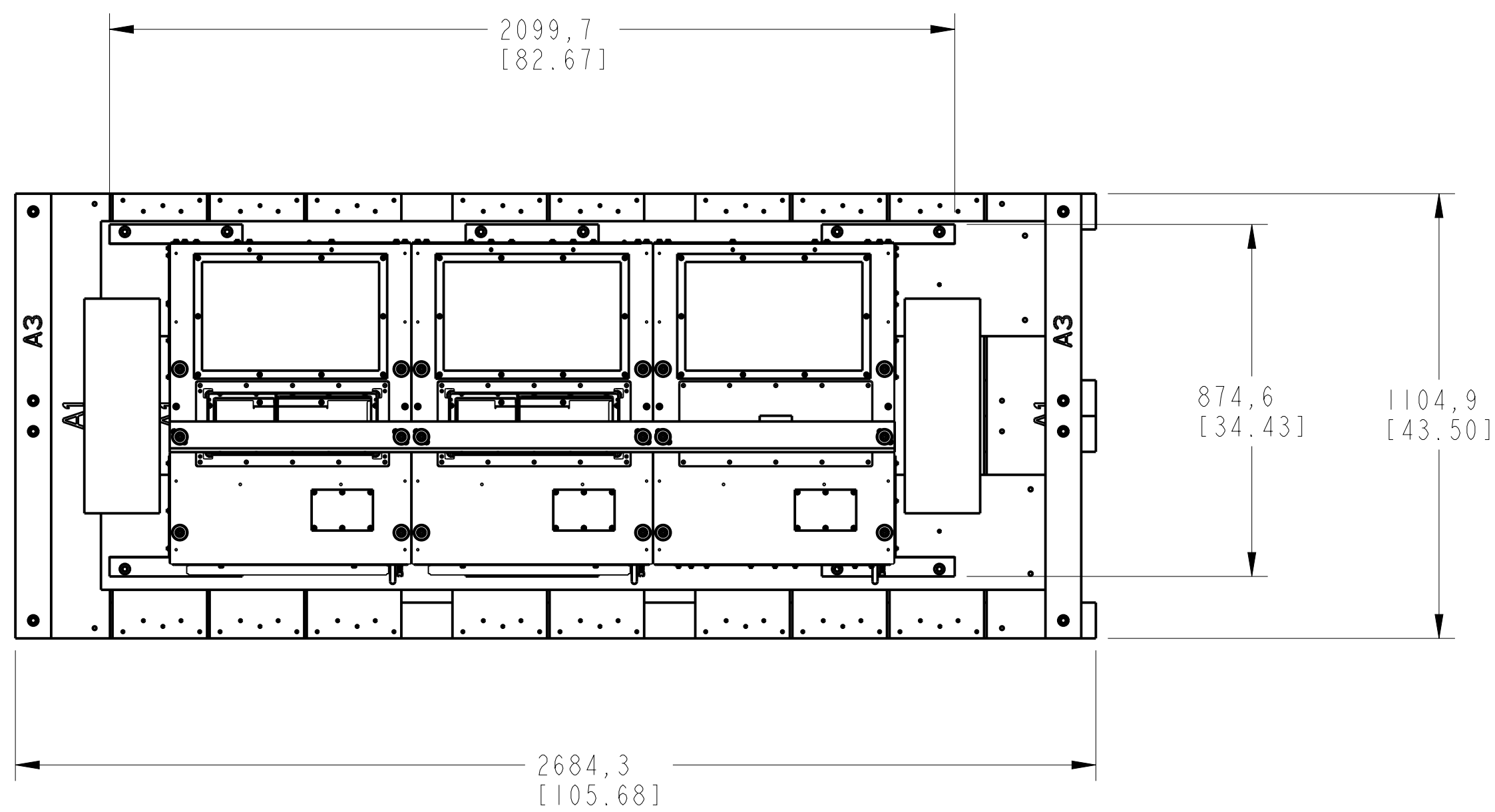
Drawn by: SMNOWAK Date: APR-28-2017

CONFIDENTIAL AND PROPRIETARY INFORMATION
 THIS DOCUMENT CONTAINS CONFIDENTIAL AND PROPRIETARY INFORMATION OF ROCKWELL AUTOMATION, INC. AND MAY NOT BE USED, COPIED OR DISCLOSED TO OTHERS, EXCEPT WITH THE AUTHORIZED WRITTEN PERMISSION OF ROCKWELL AUTOMATION, INC.

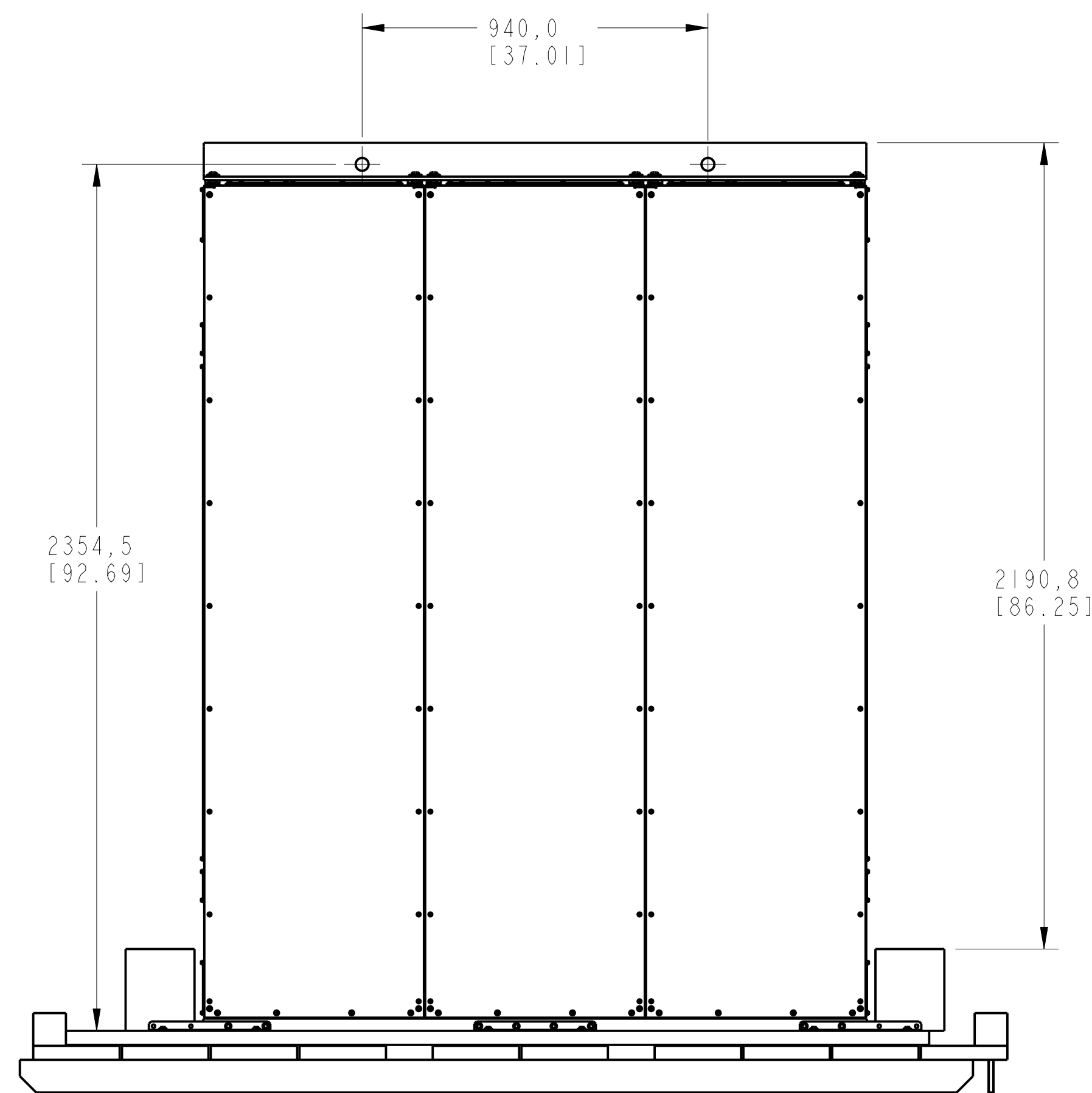
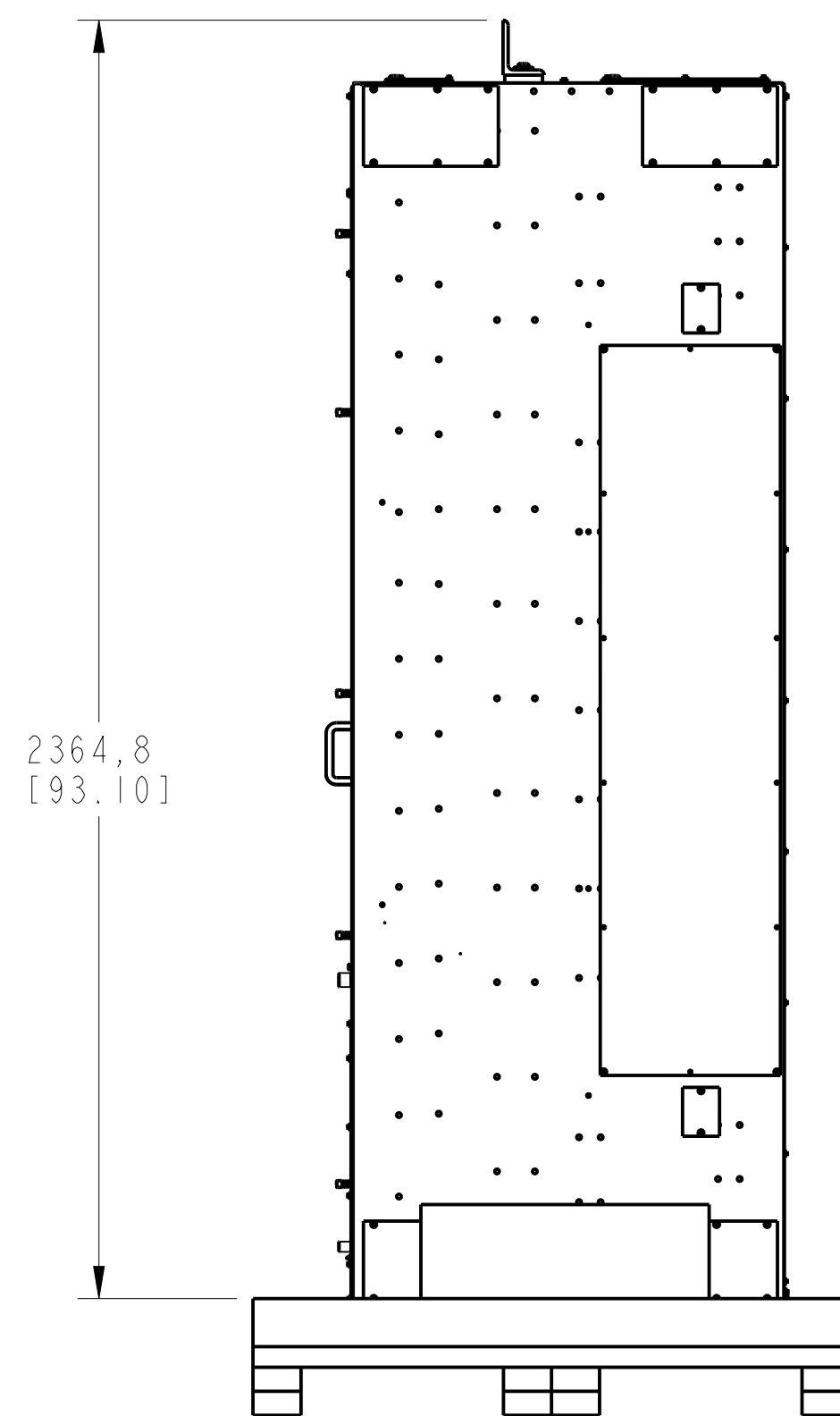
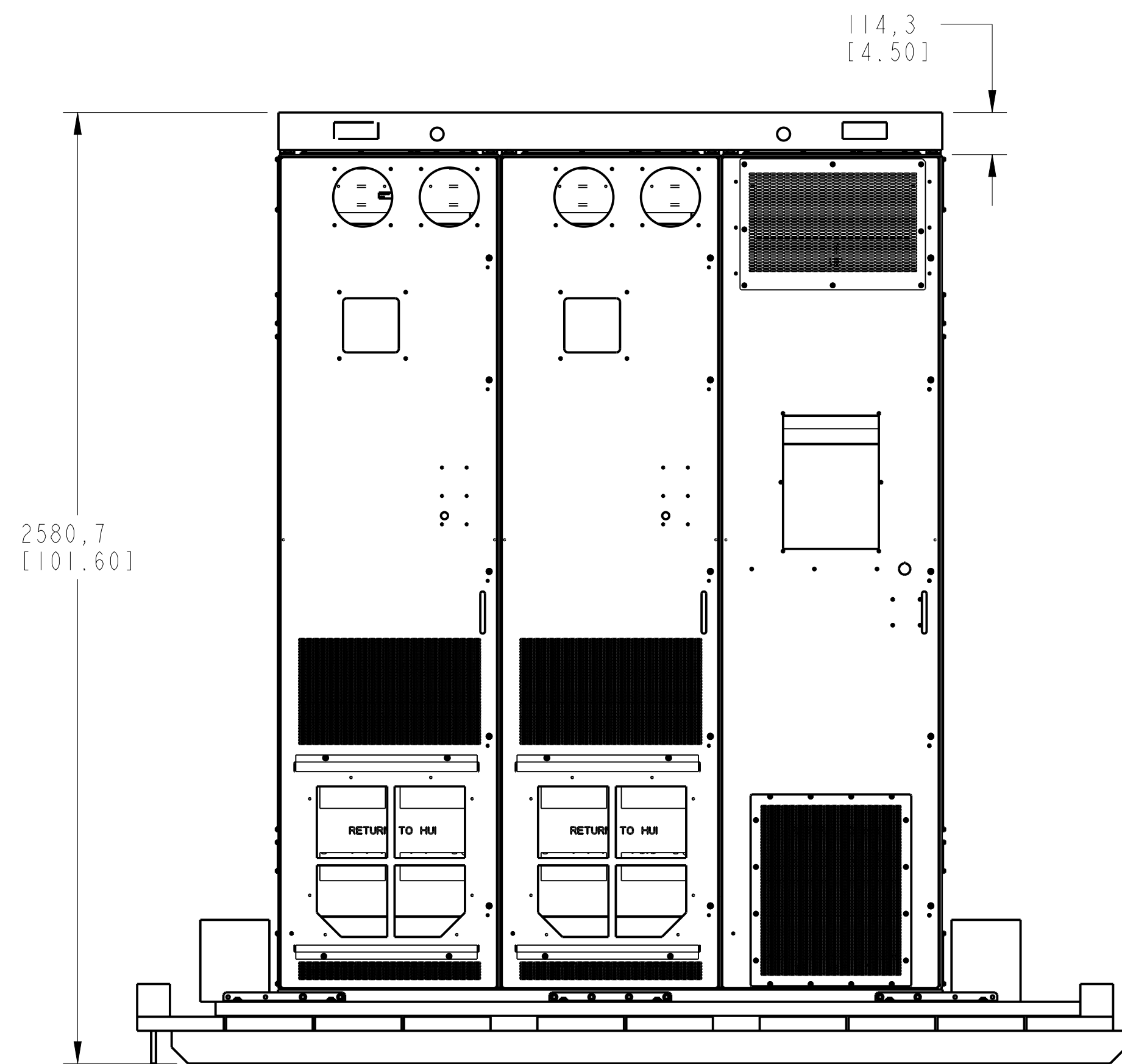
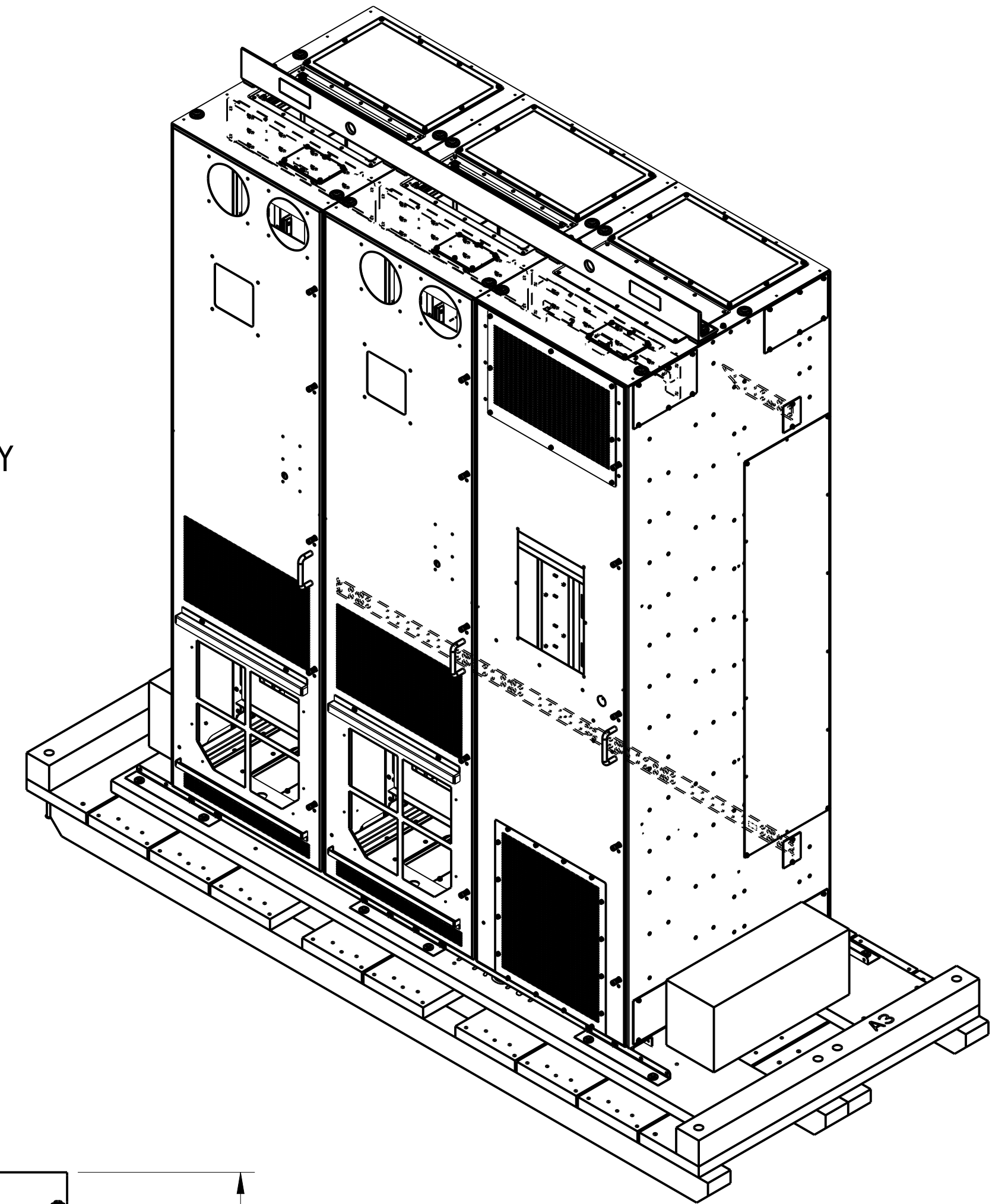
Sheet 11 Of 36	Ver
10000222178	10



FRAME 9 TYPE 12 / IP54 DRIVE W/WIRE BAY
 PN-393202
 PN-393216



FRAME 9 TYPE 1 / IP20 DRIVE W/ OPTION BAY
 PN-392967
 PN-392983



DIMENSIONS APPLY BEFORE SURFACE TREATMENT
 DIMENSIONS IN MILLIMETERS
 TOLERANCES UNLESS OTHERWISE SPECIFIED

.X:	± 0,8
.XX:	± 0,51
ANG:	± 1°

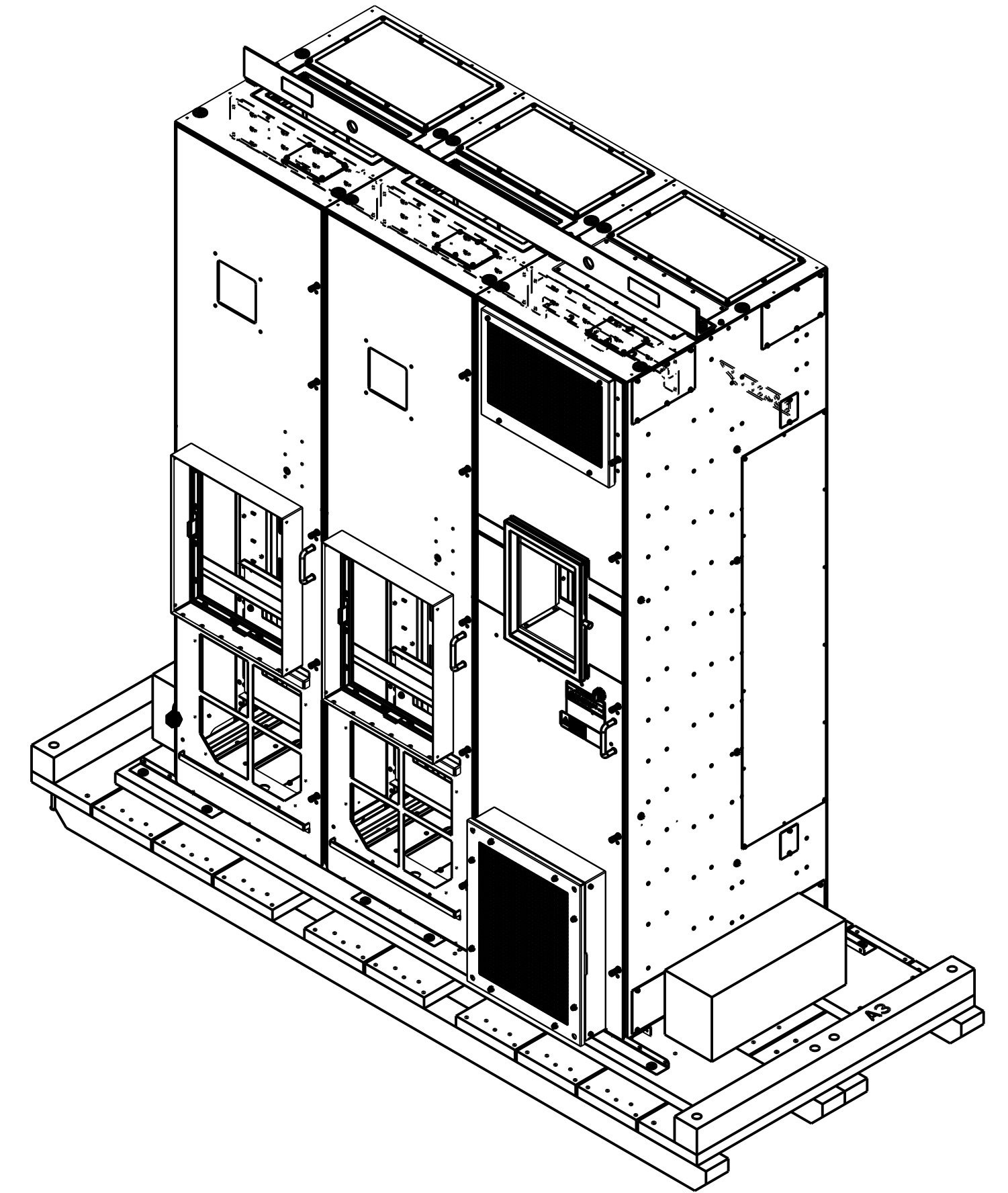
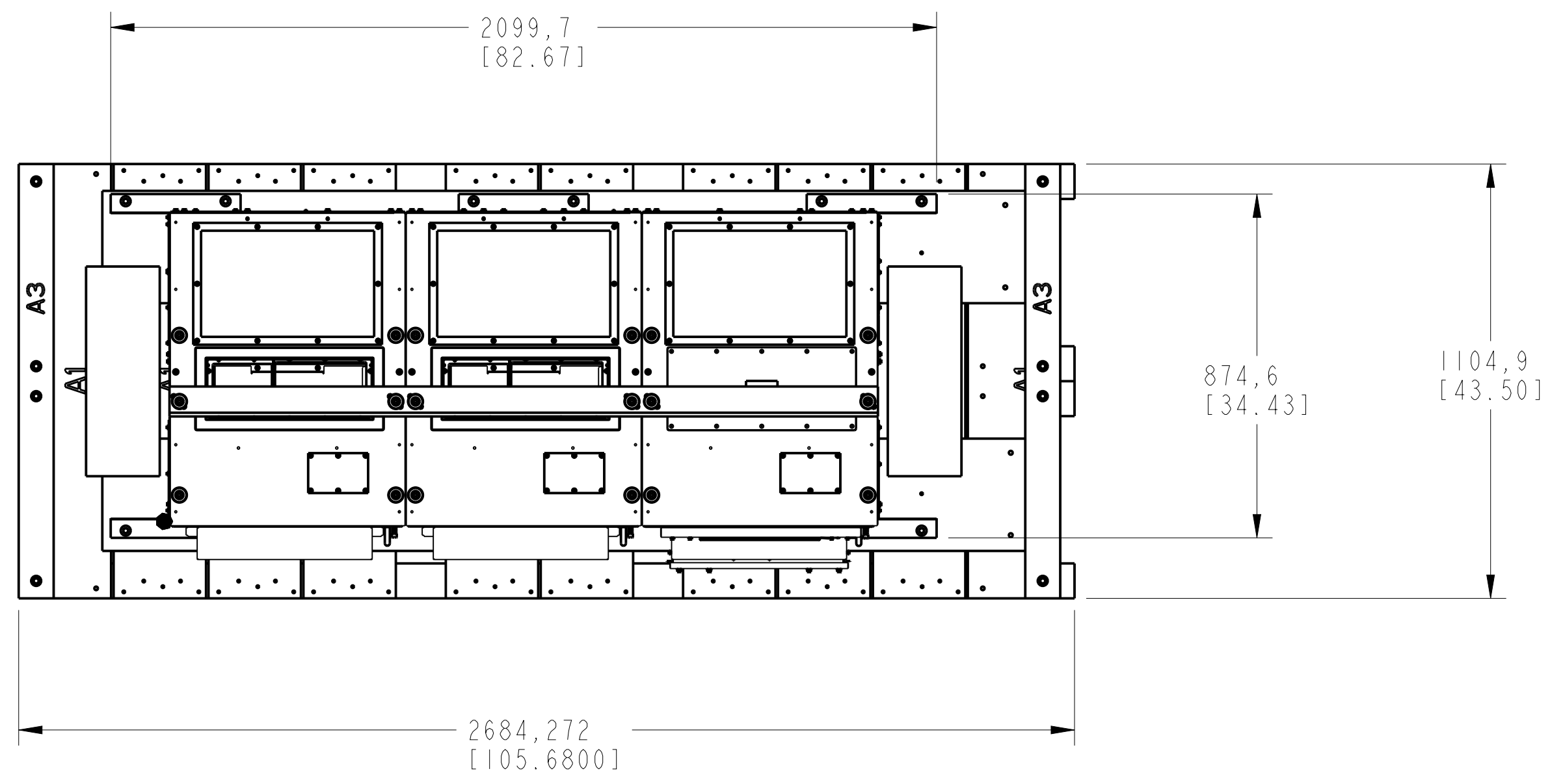
Rockwell Automation
 STANDARD PF750-FRAME-9-AC-800mm
 WITH OPTION BAY-IP20
 Drawn by: RSUBRAMI Date: APR-28-2017

CONFIDENTIAL AND PROPRIETARY INFORMATION
 THIS DOCUMENT CONTAINS CONFIDENTIAL AND PROPRIETARY INFORMATION OF ROCKWELL AUTOMATION, INC. AND MAY NOT BE USED, COPIED OR DISCLOSED TO OTHERS, EXCEPT WITH THE AUTHORIZED WRITTEN PERMISSION OF ROCKWELL AUTOMATION, INC.

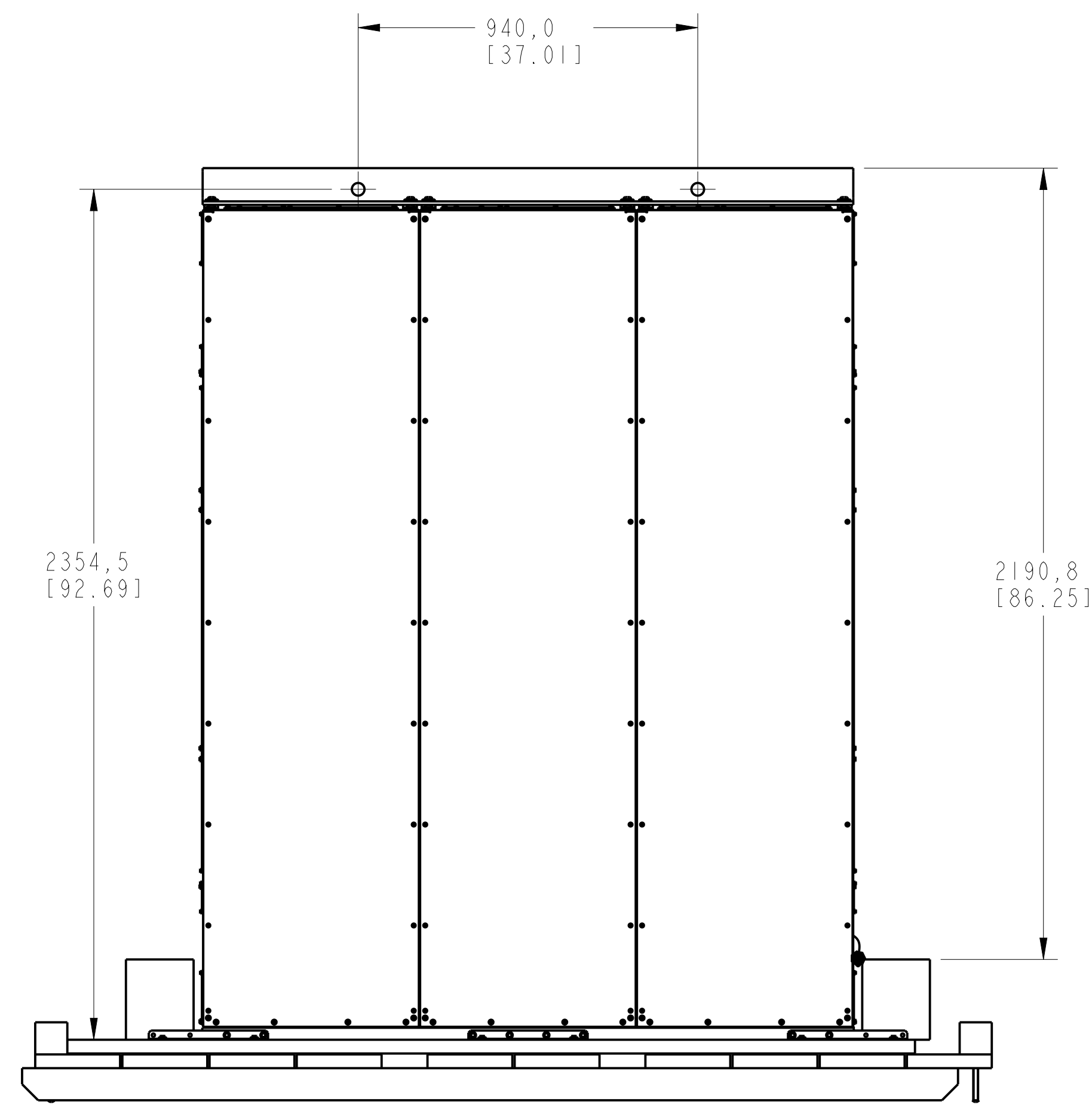
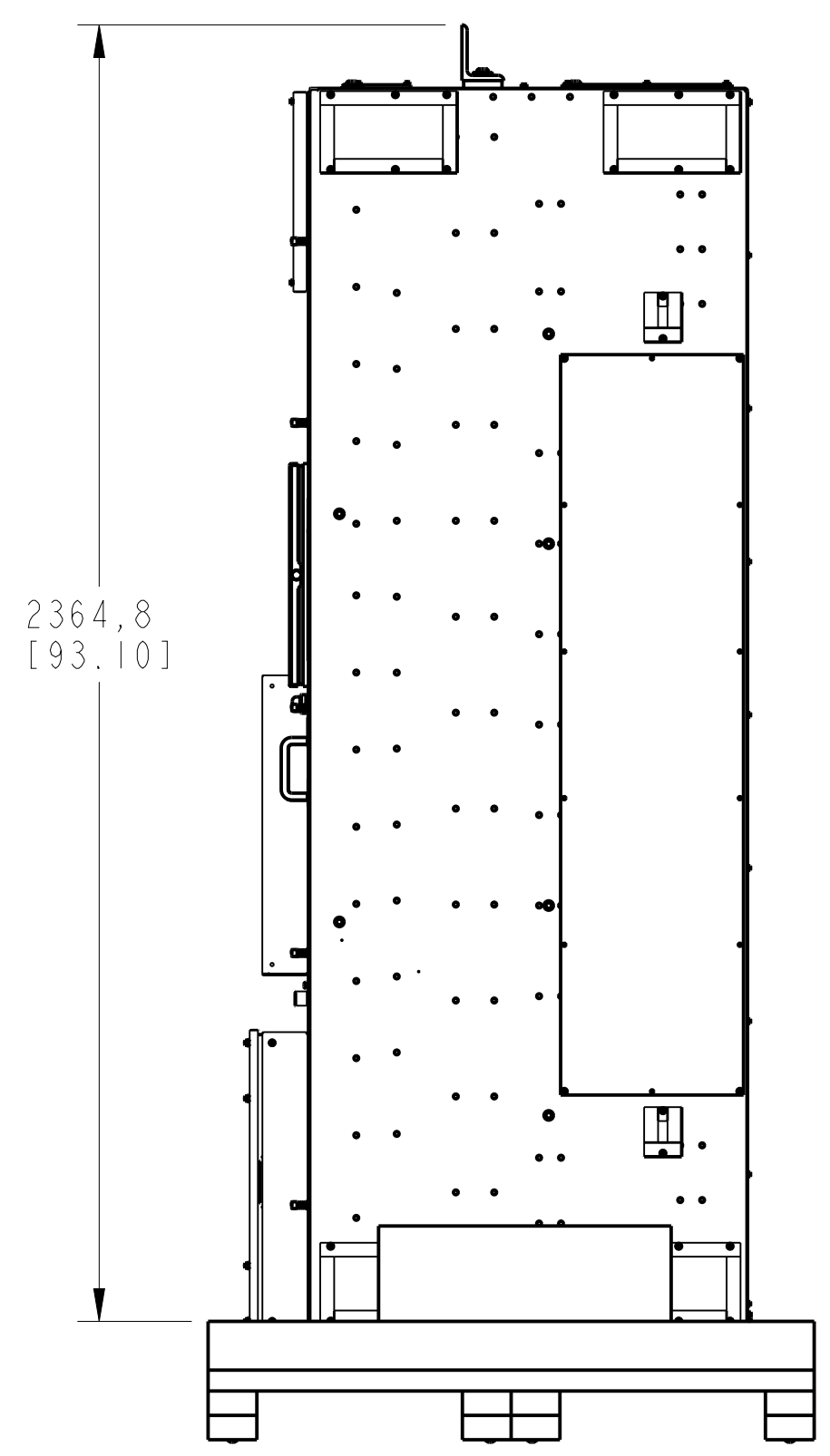
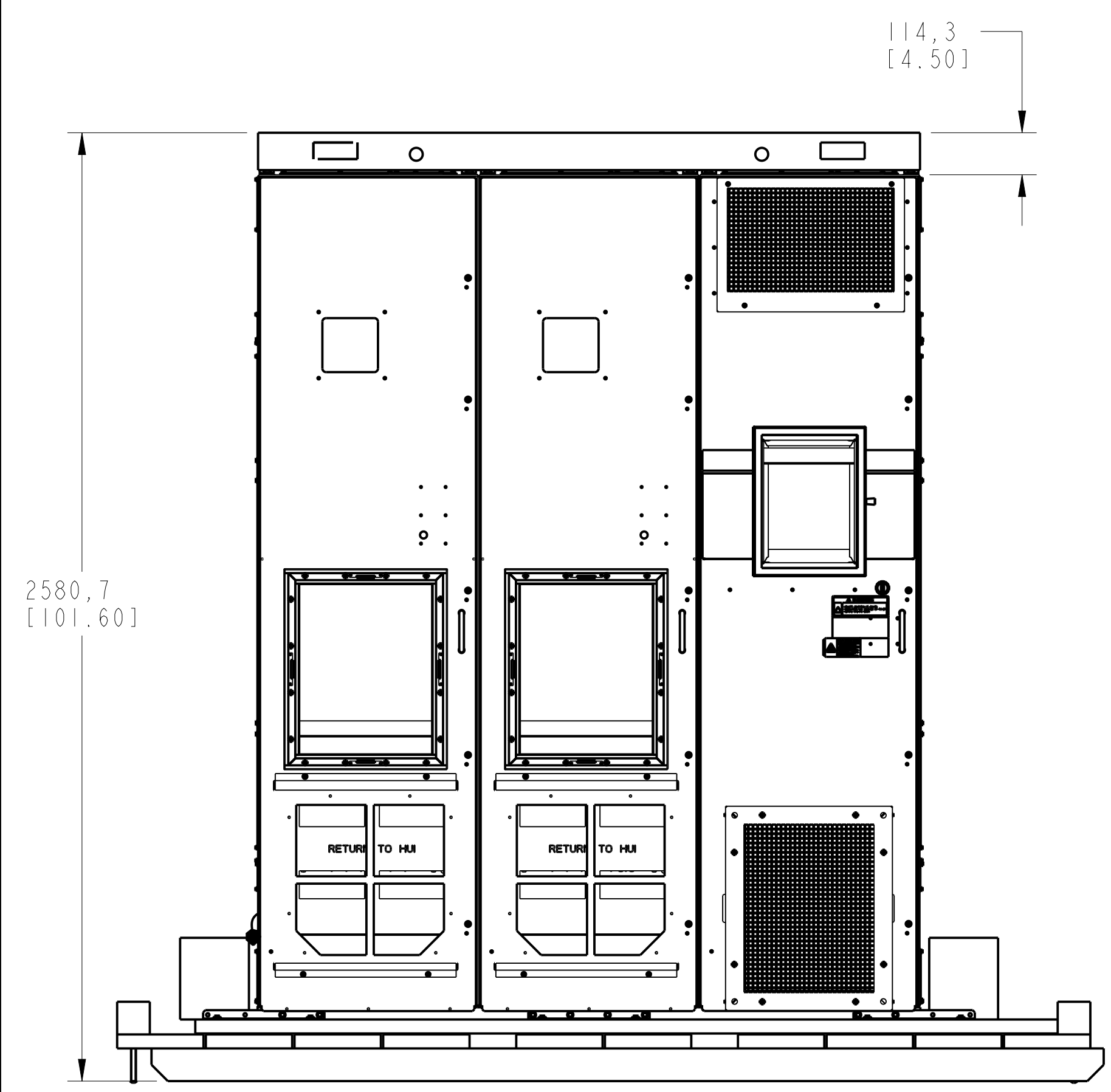
Sheet 13 Of 36
 Size D
 10000222178
 Ver 10

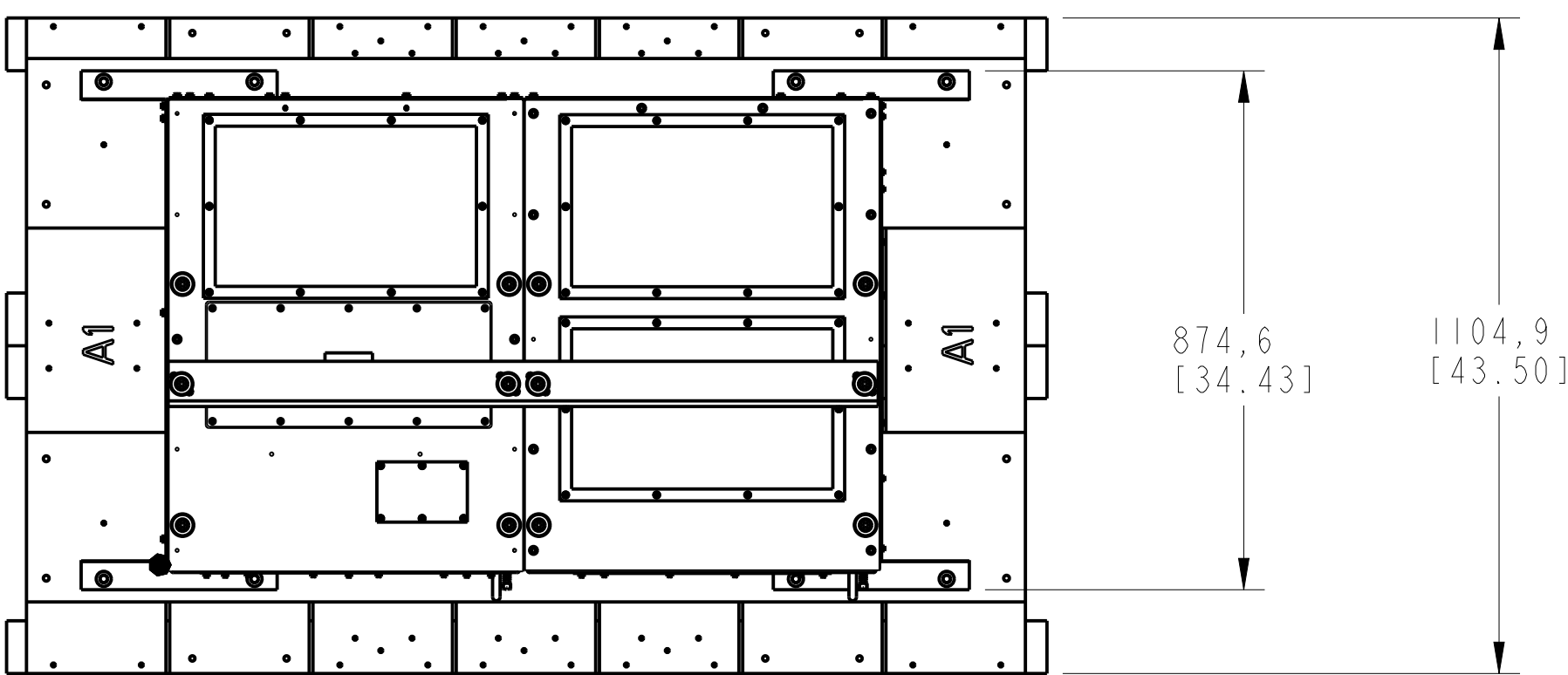
1 2 3 4 5 6 7 8

A
B
C
D
E
F
G
H

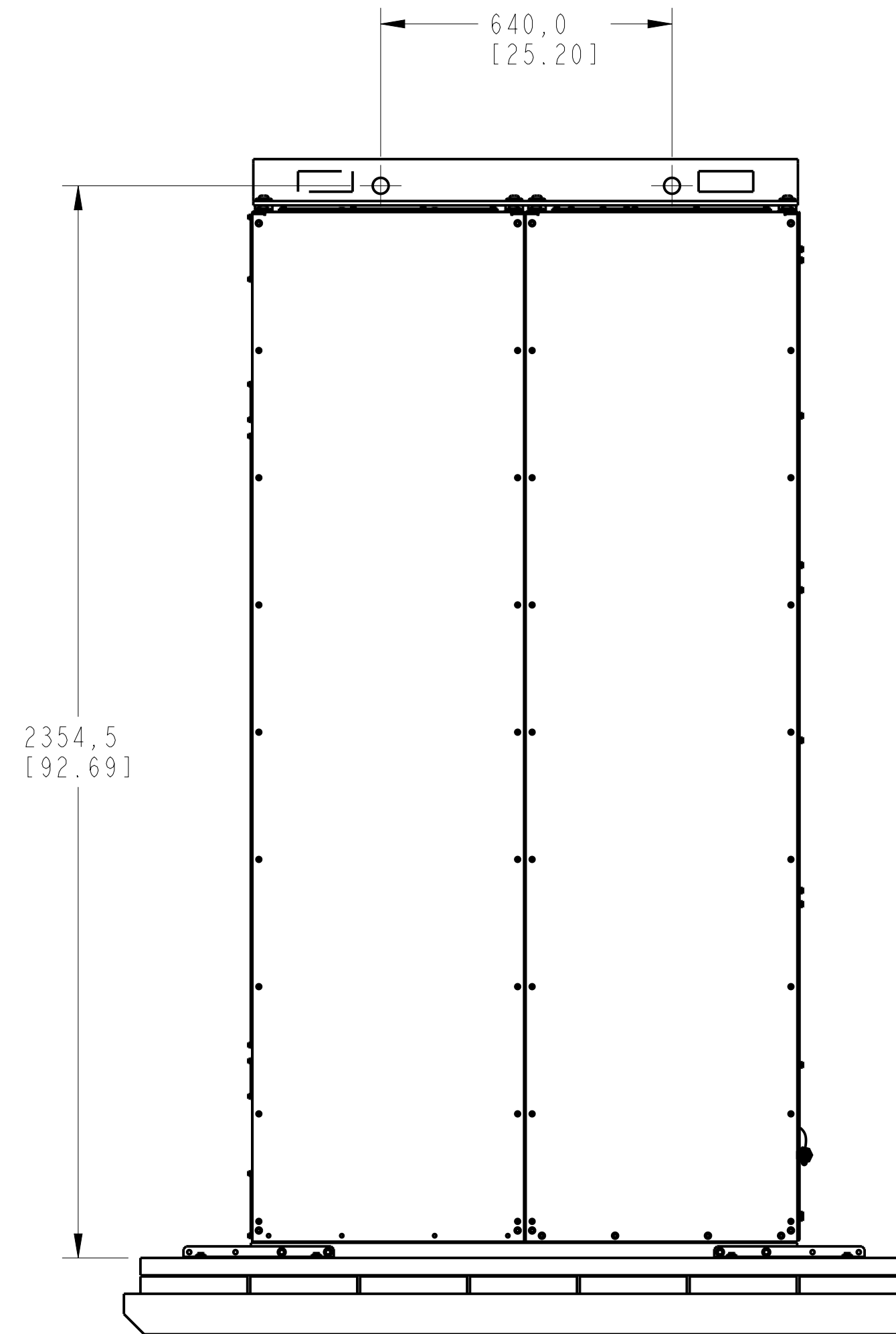
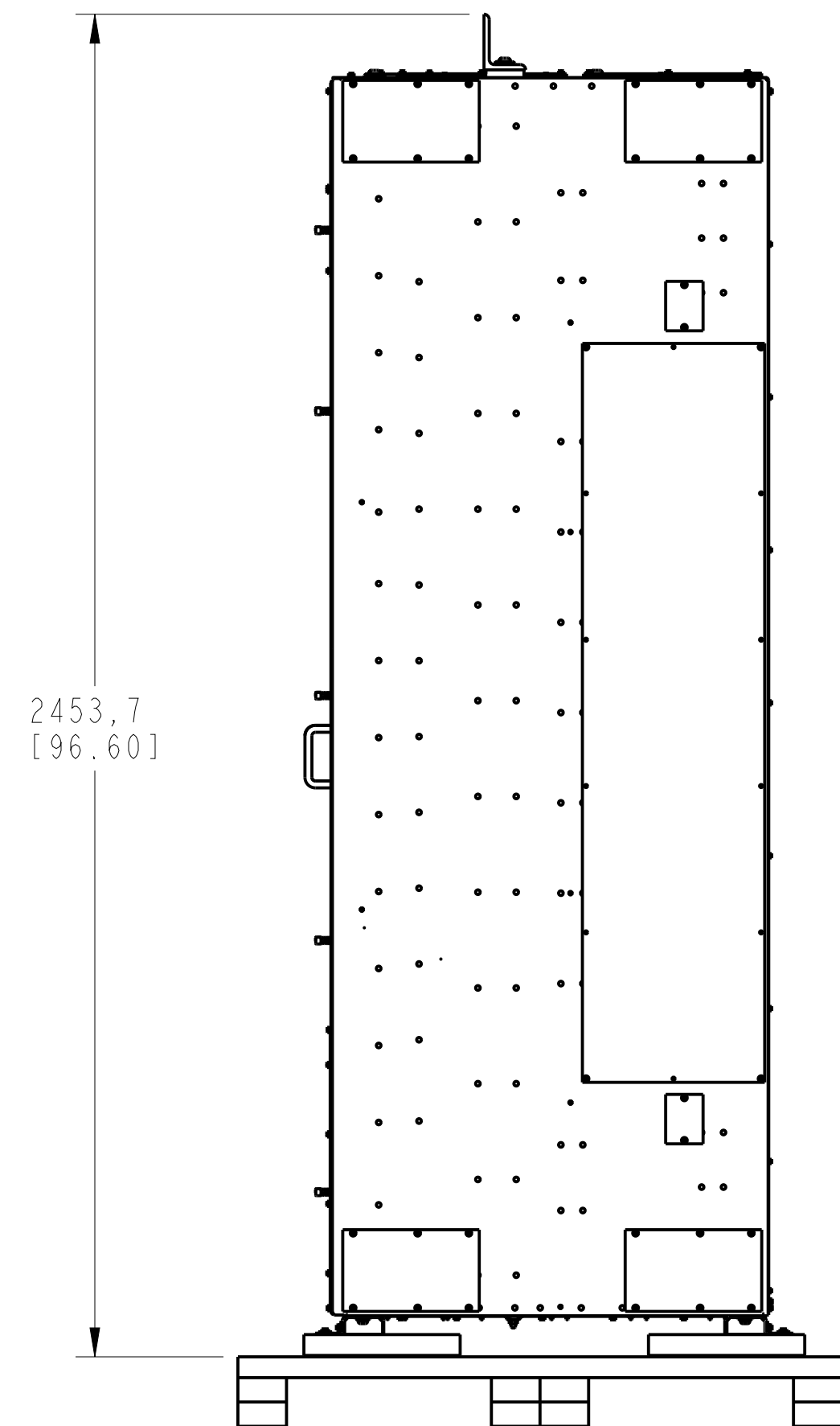
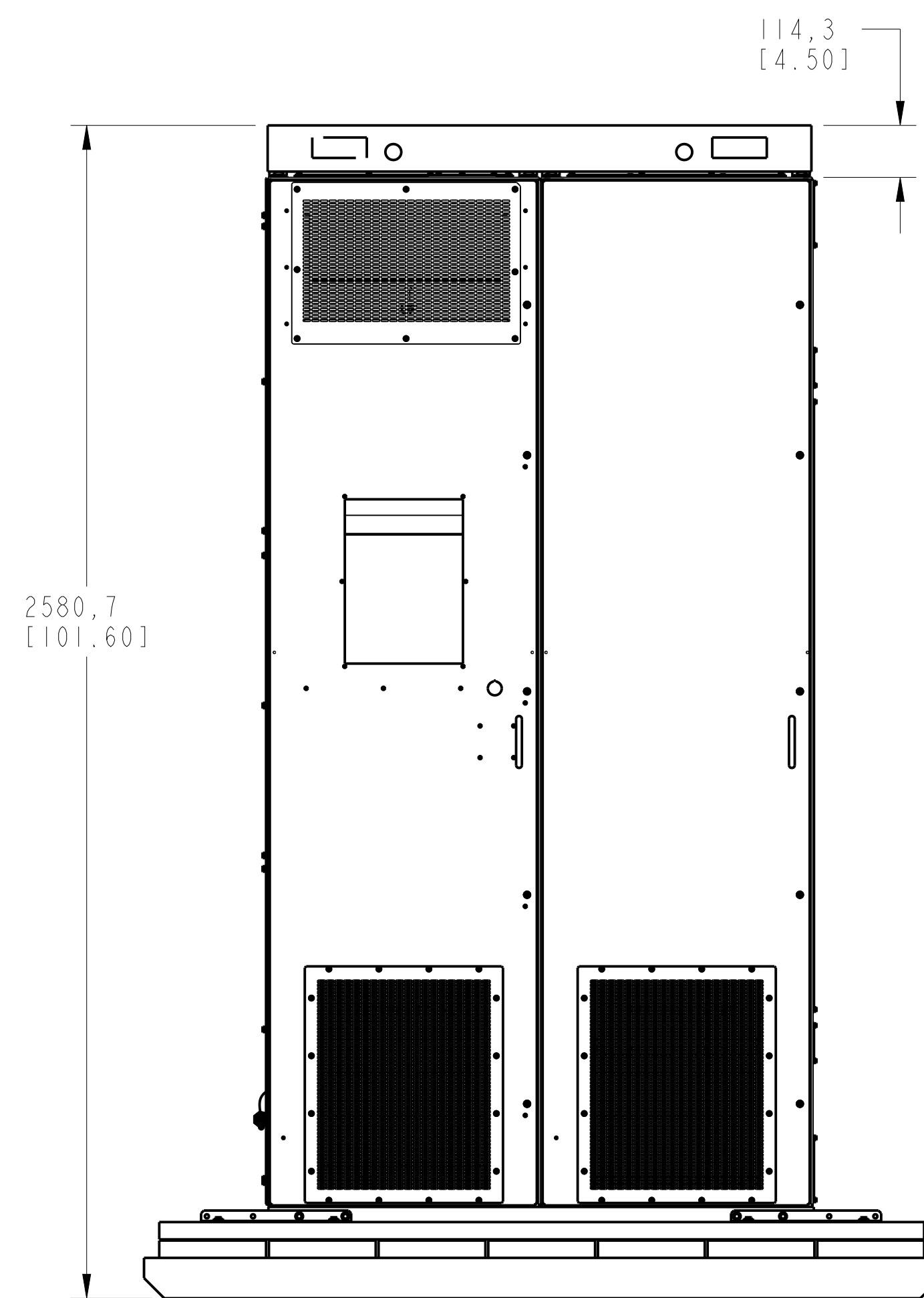
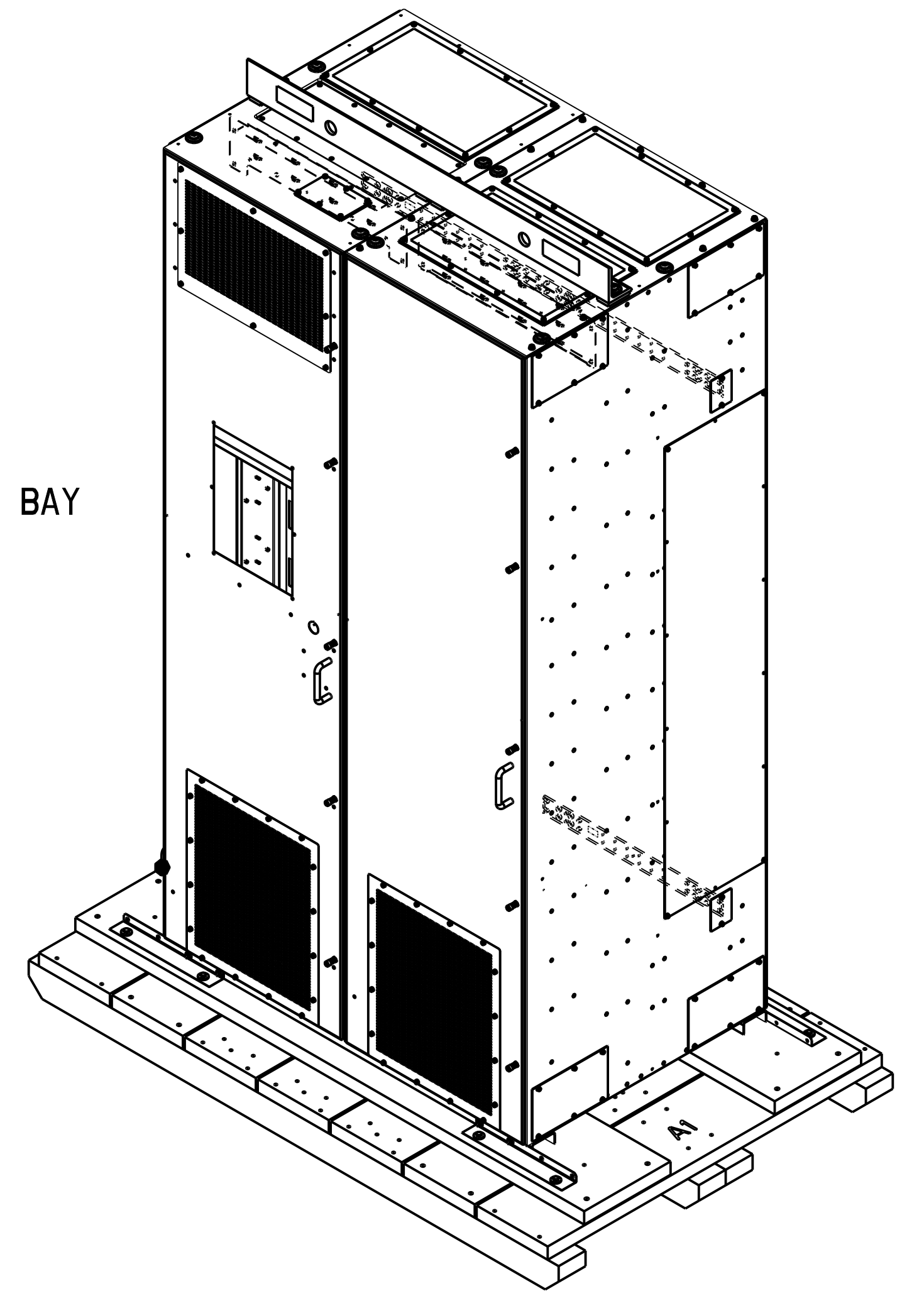


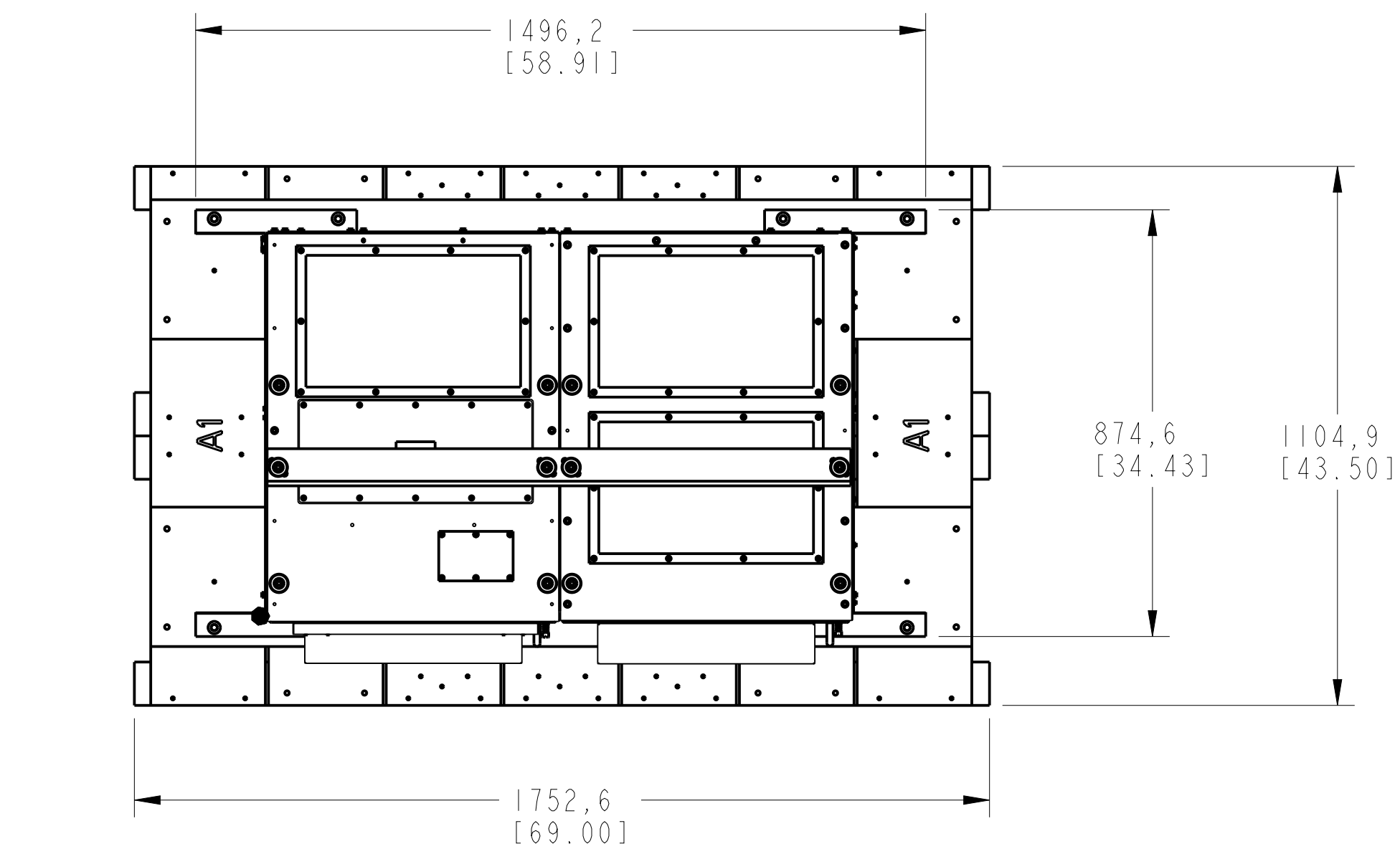
FRAME 9 TYPE 12 / IP54 DRIVE W/ OPTION BAY
PN-393205
PN-393223





FRAME 9 TYPE 1 / IP20 DRIVE W/ ADD OPTION BAY & WIRE BAY
 PN-392966
 PN-392971





FRAME 9 TYPE 12 / IP54 DRIVE W/ ADD OPTION BAY & WIRE BAY
 PN-393229
 PN-393232

