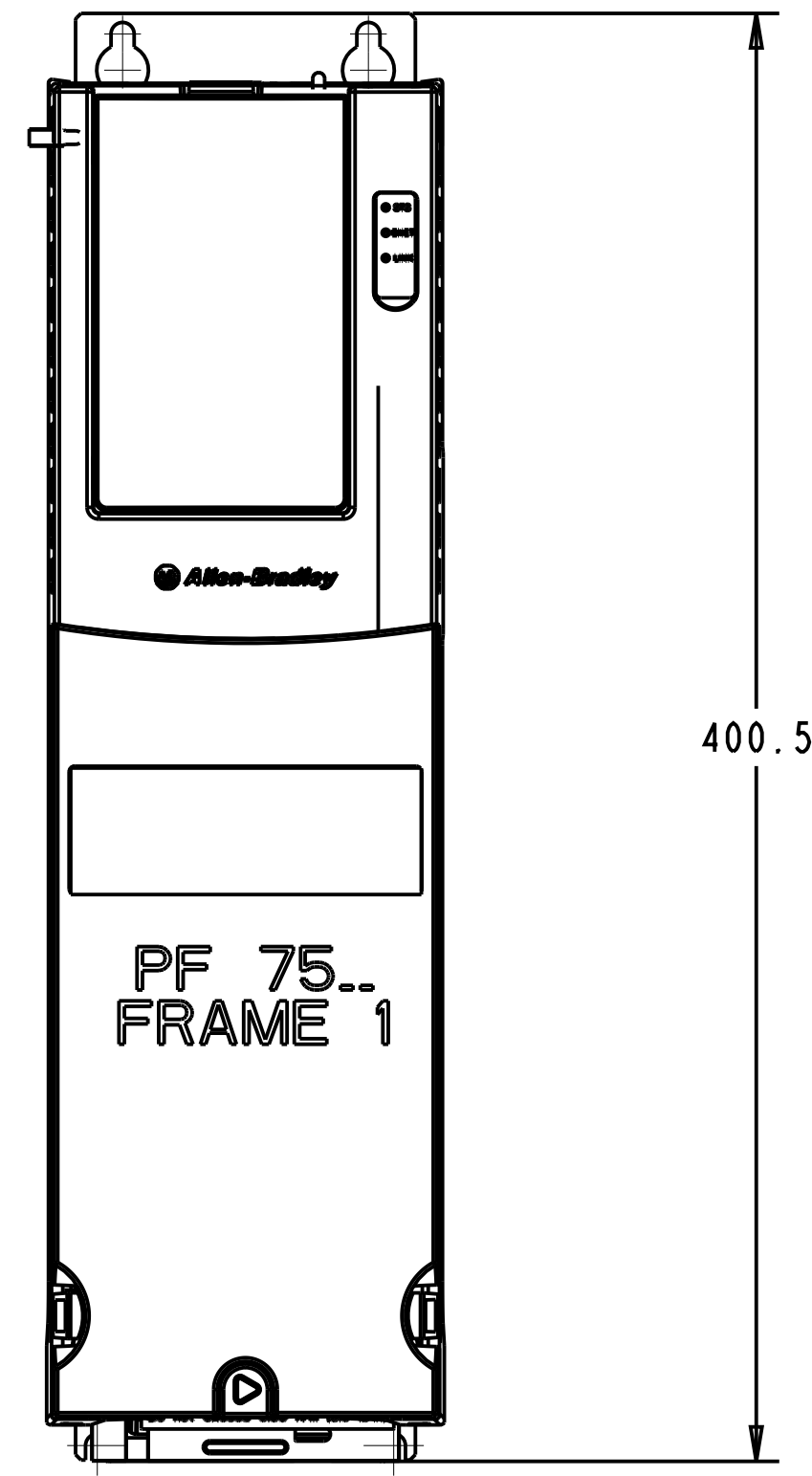
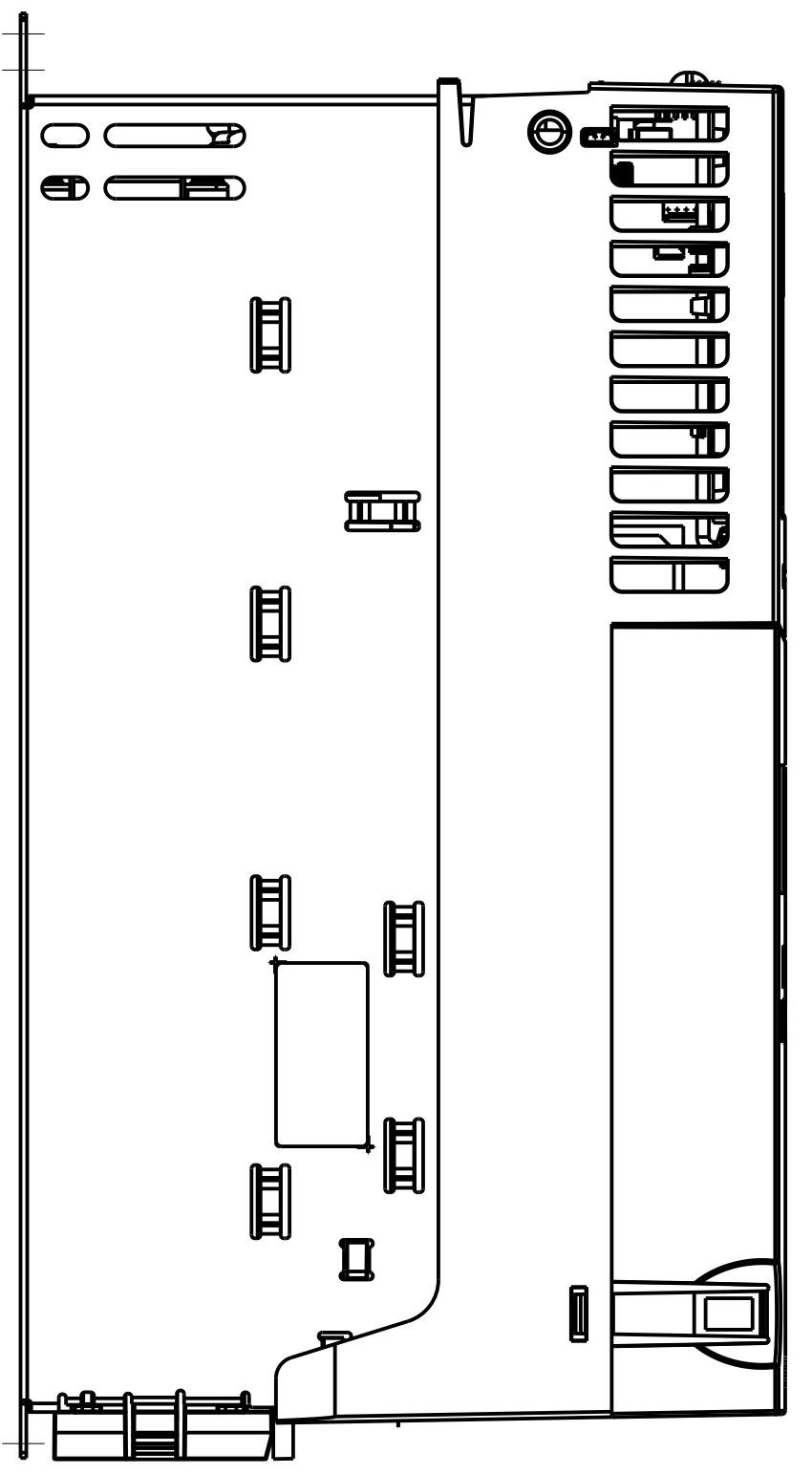
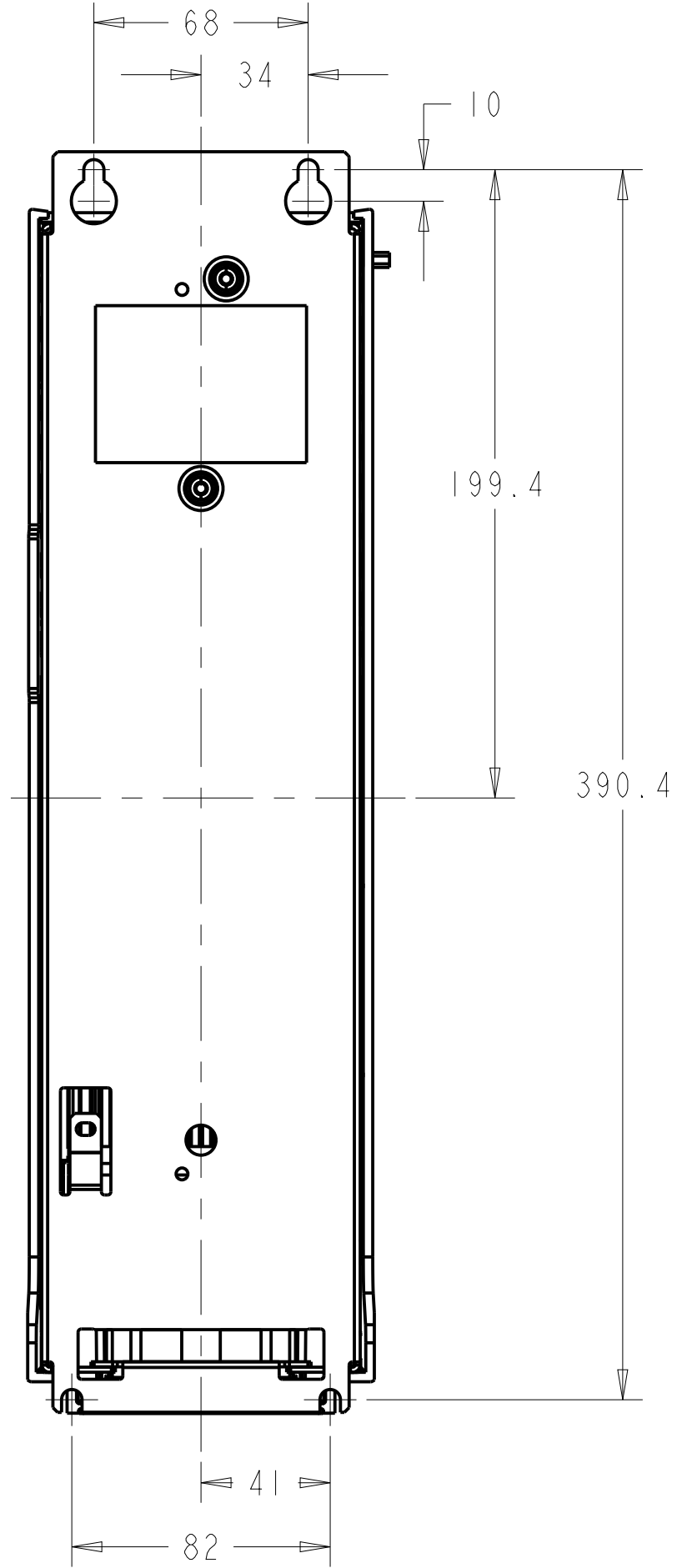
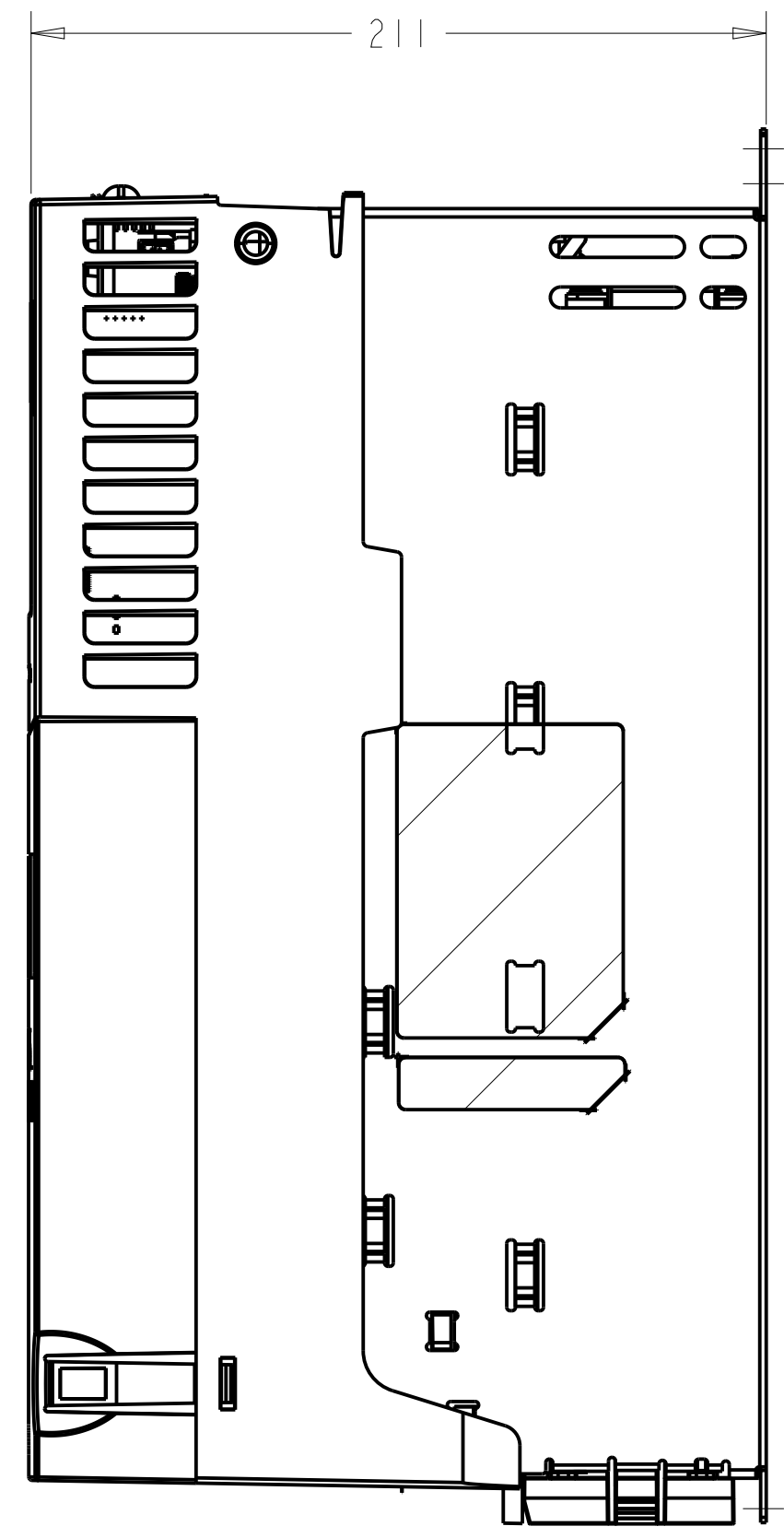


1 2 3 4 5 6 7 8

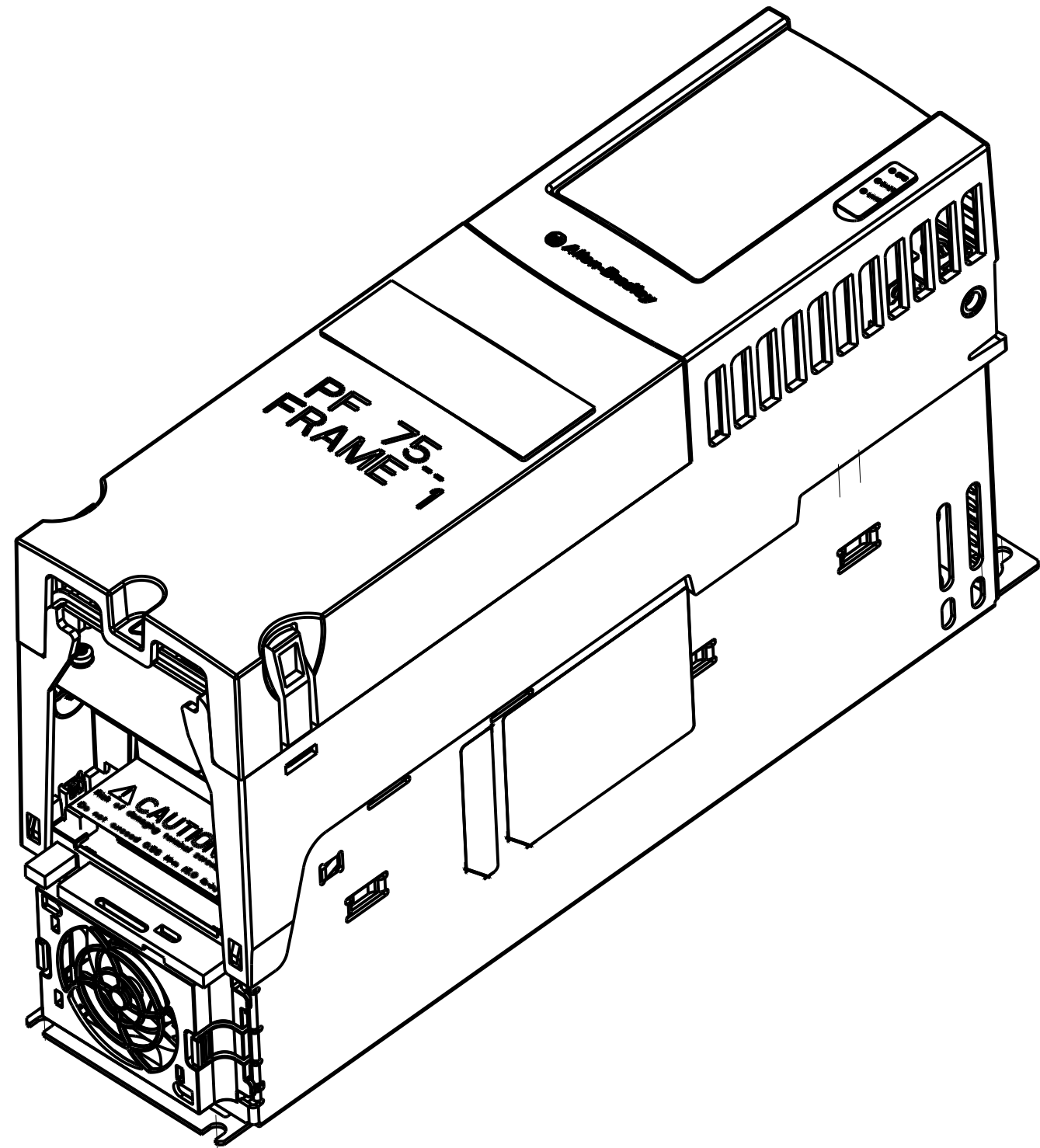
A
B
C
D
E
F
G
H



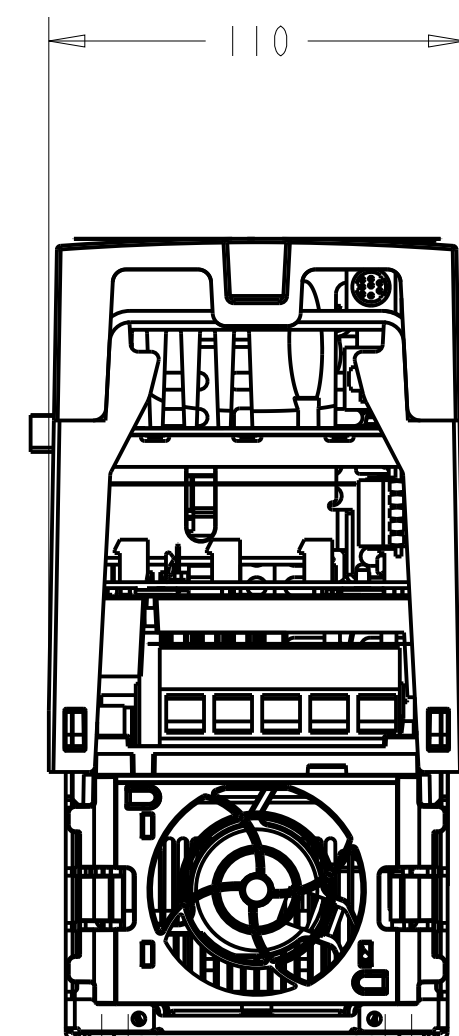
SCALE 0.500



OPEN TYPE



SCALE 0.500



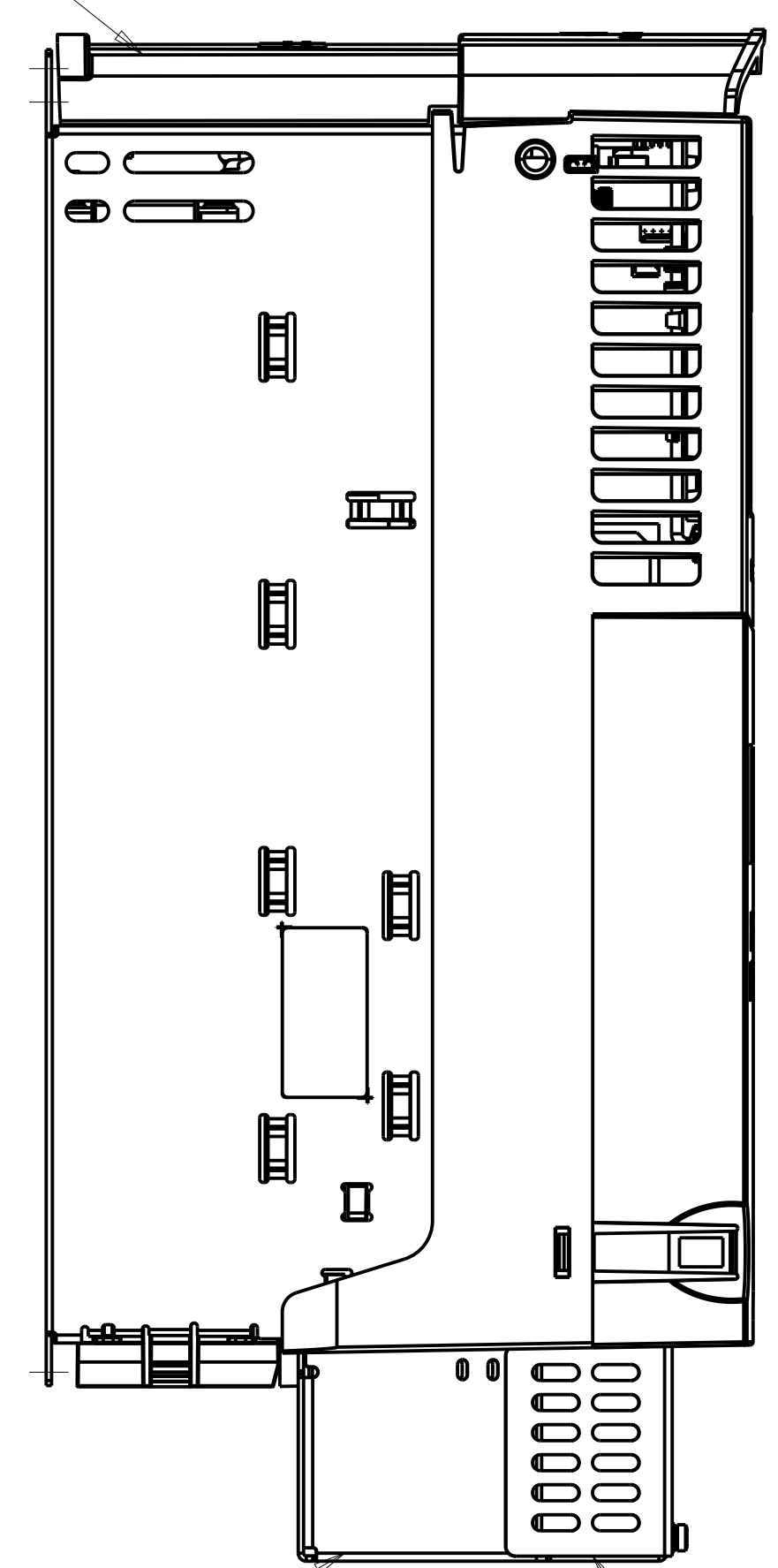
CAD MODEL	10000172458	01
PART NUMBER		

Rockwell Automation <small>CONFIDENTIAL AND PROPRIETARY INFORMATION. THIS DOCUMENT CONTAINS CONFIDENTIAL AND PROPRIETARY INFORMATION OF ROCKWELL AUTOMATION, INC. AND MAY NOT BE USED, COPIED OR DISCLOSED TO OTHERS, EXCEPT WITH THE AUTHORIZED WRITTEN PERMISSION OF ROCKWELL AUTOMATION, INC.</small>		Sheet 1 Of 3				
		DESCRIPTION	STANDARD_PF750_FRI_IP20	Size D1R	Ver	
Drawn by:	PBADURA	Date:	03-25-13	D	10000211412	01

1 2 3 4 5 6 7 8

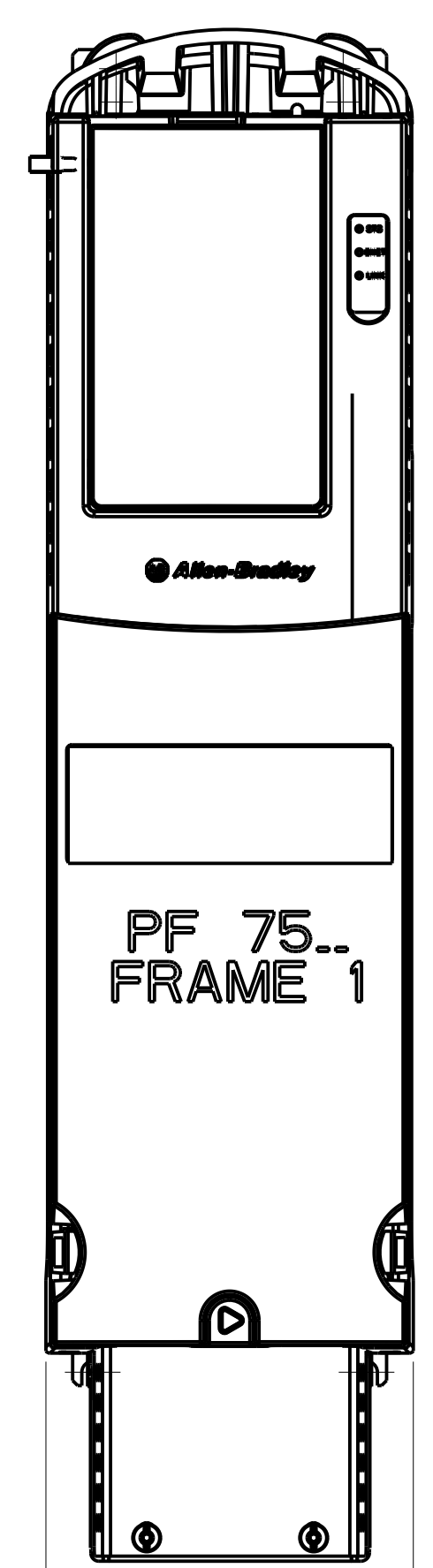
A
B
C
D
E
F
G
H

DEBRIS HOOD



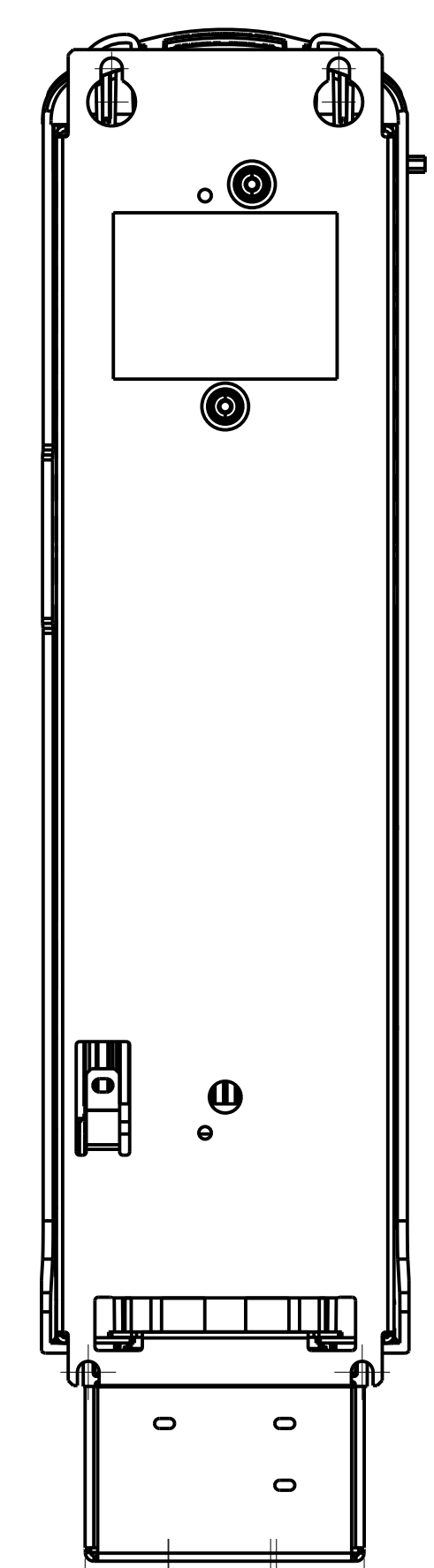
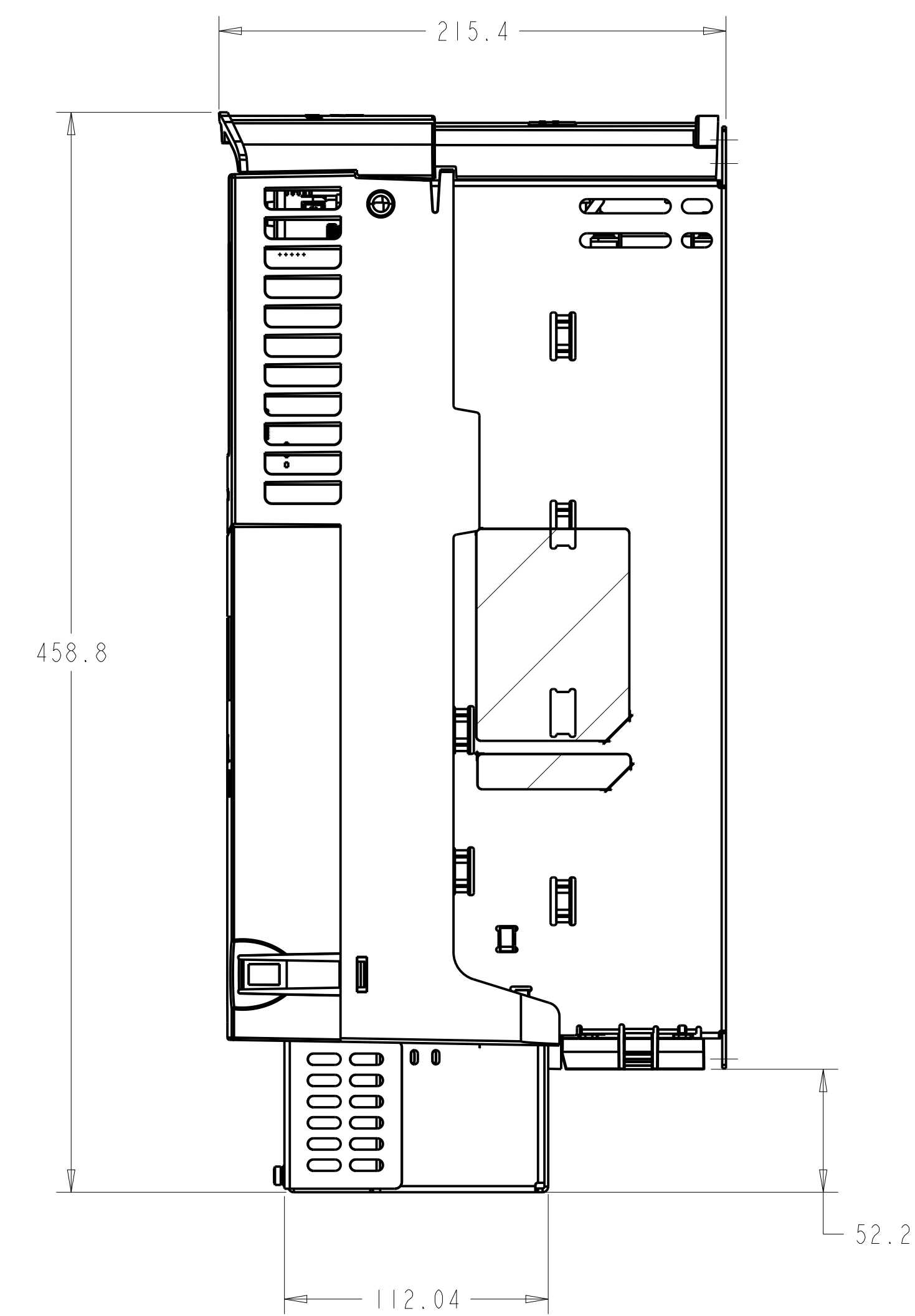
J-BOX BASE

J-BOX COVER

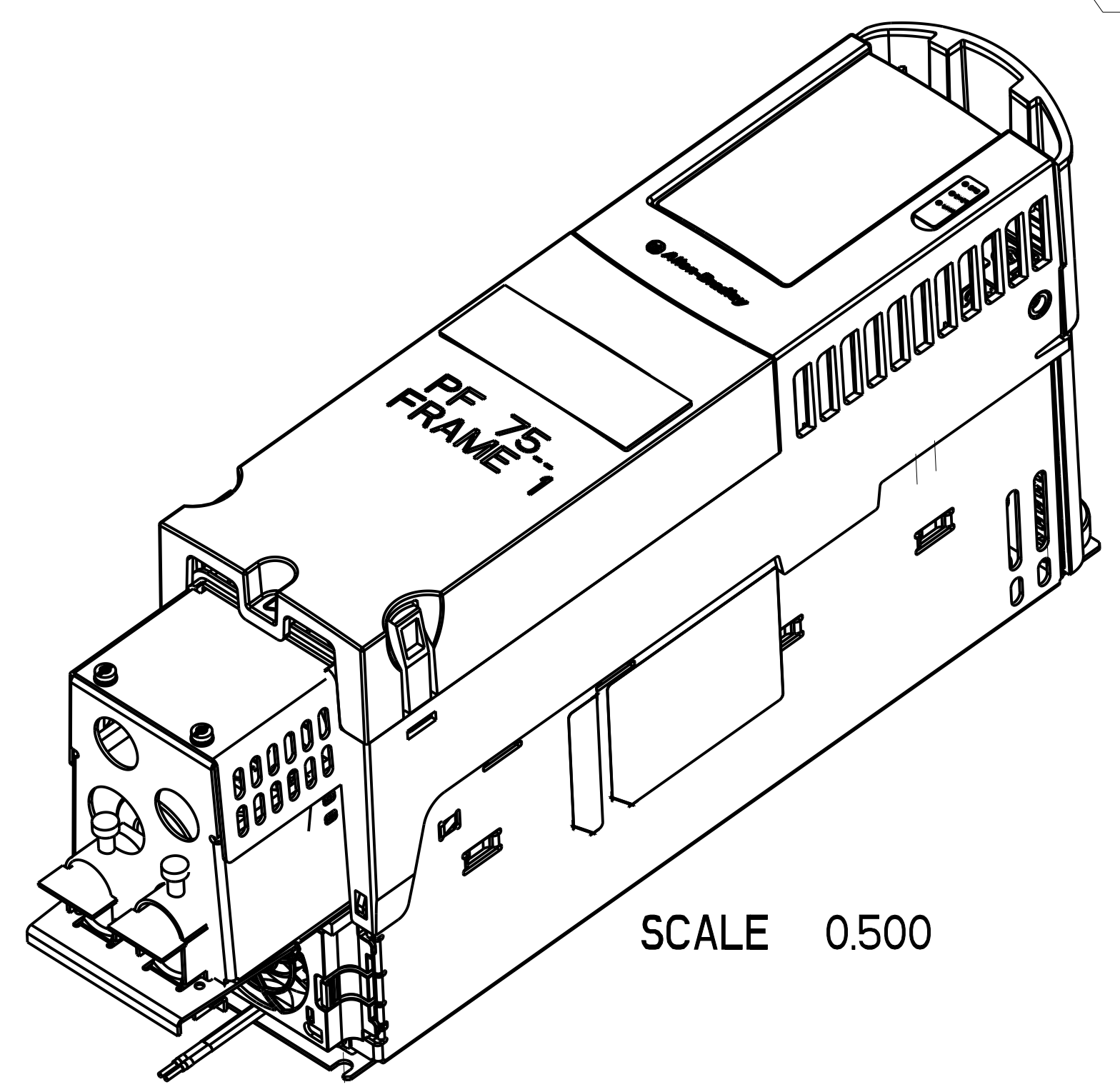


110

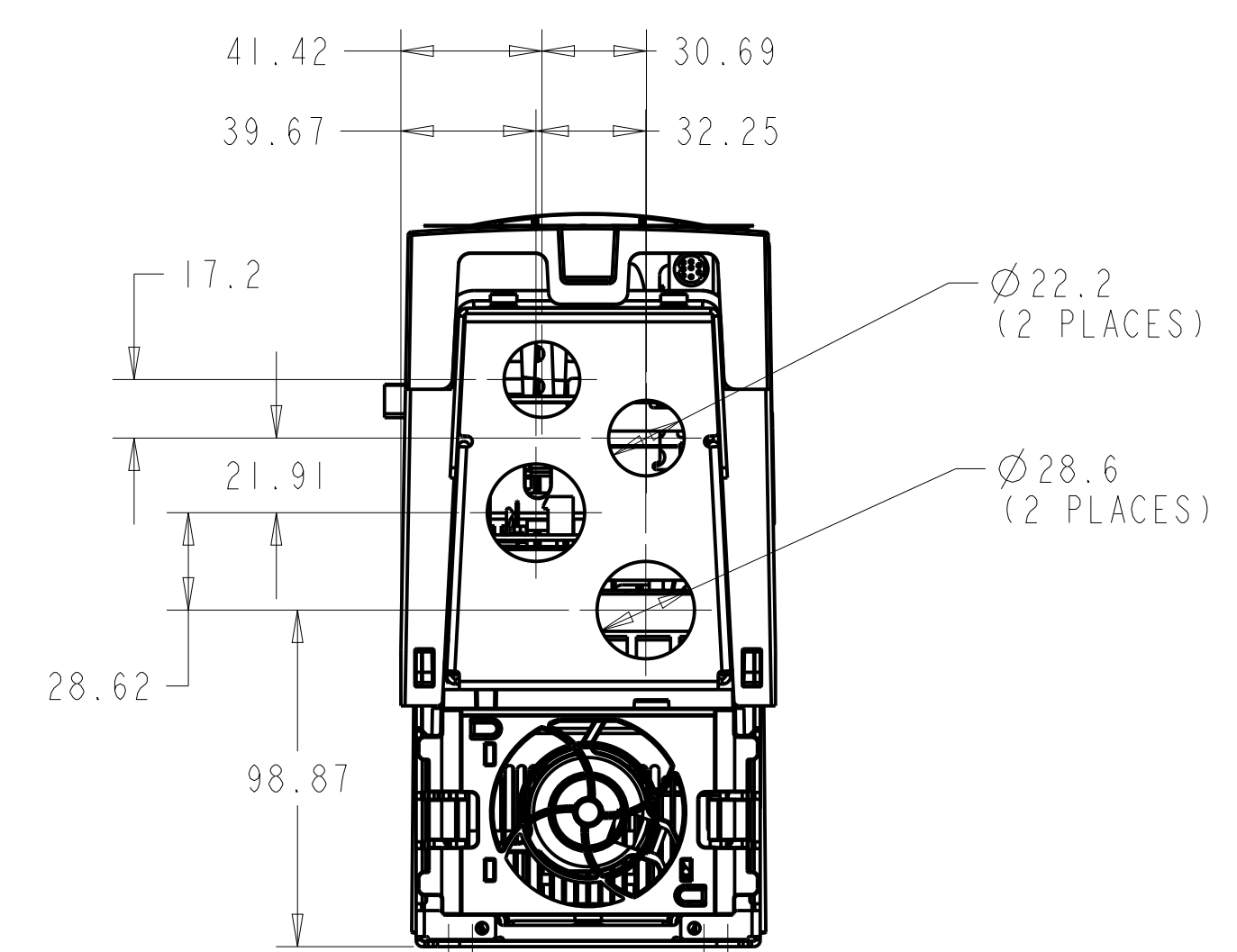
SCALE 0.500



83.55



SCALE 0.500



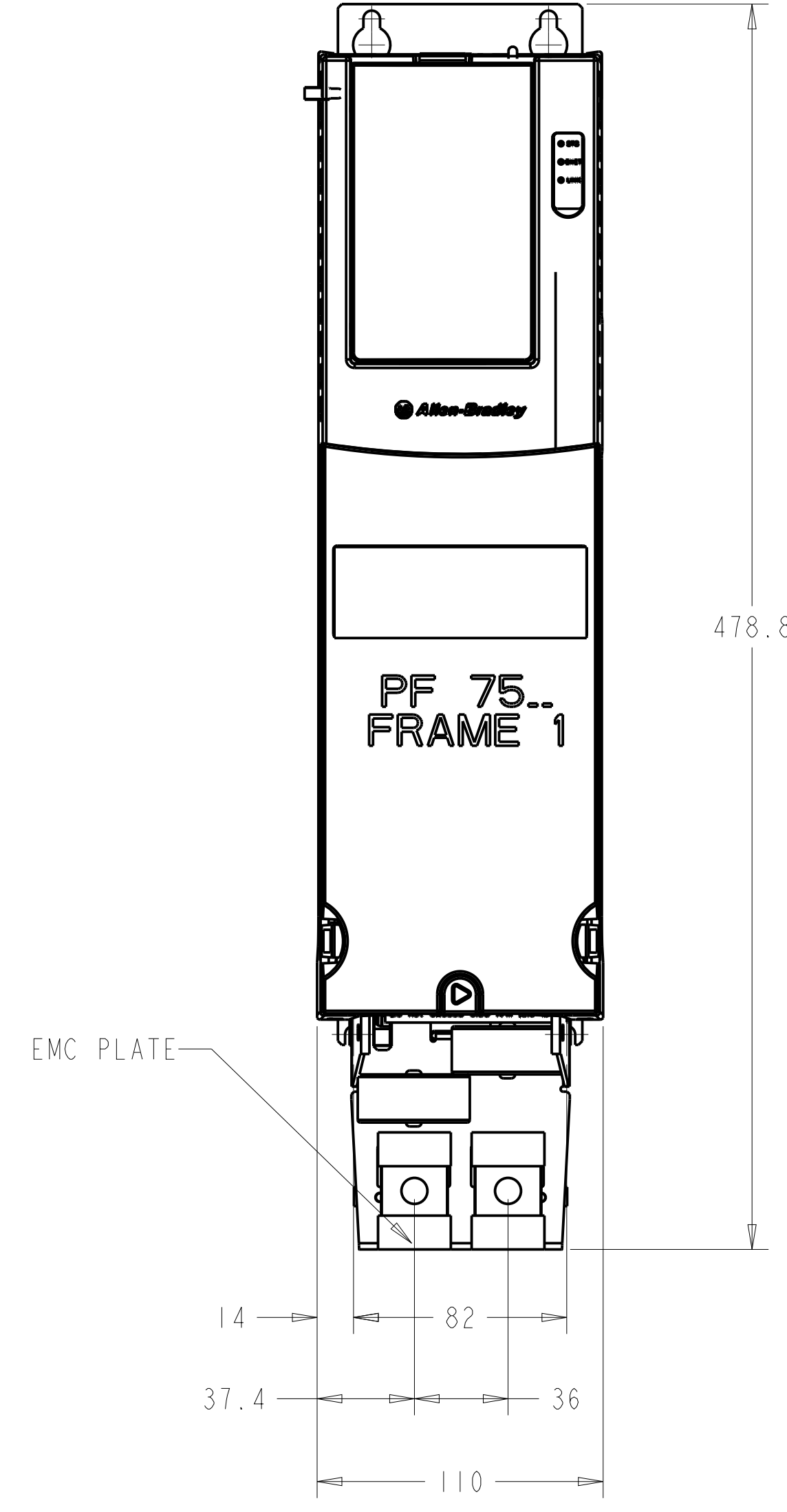
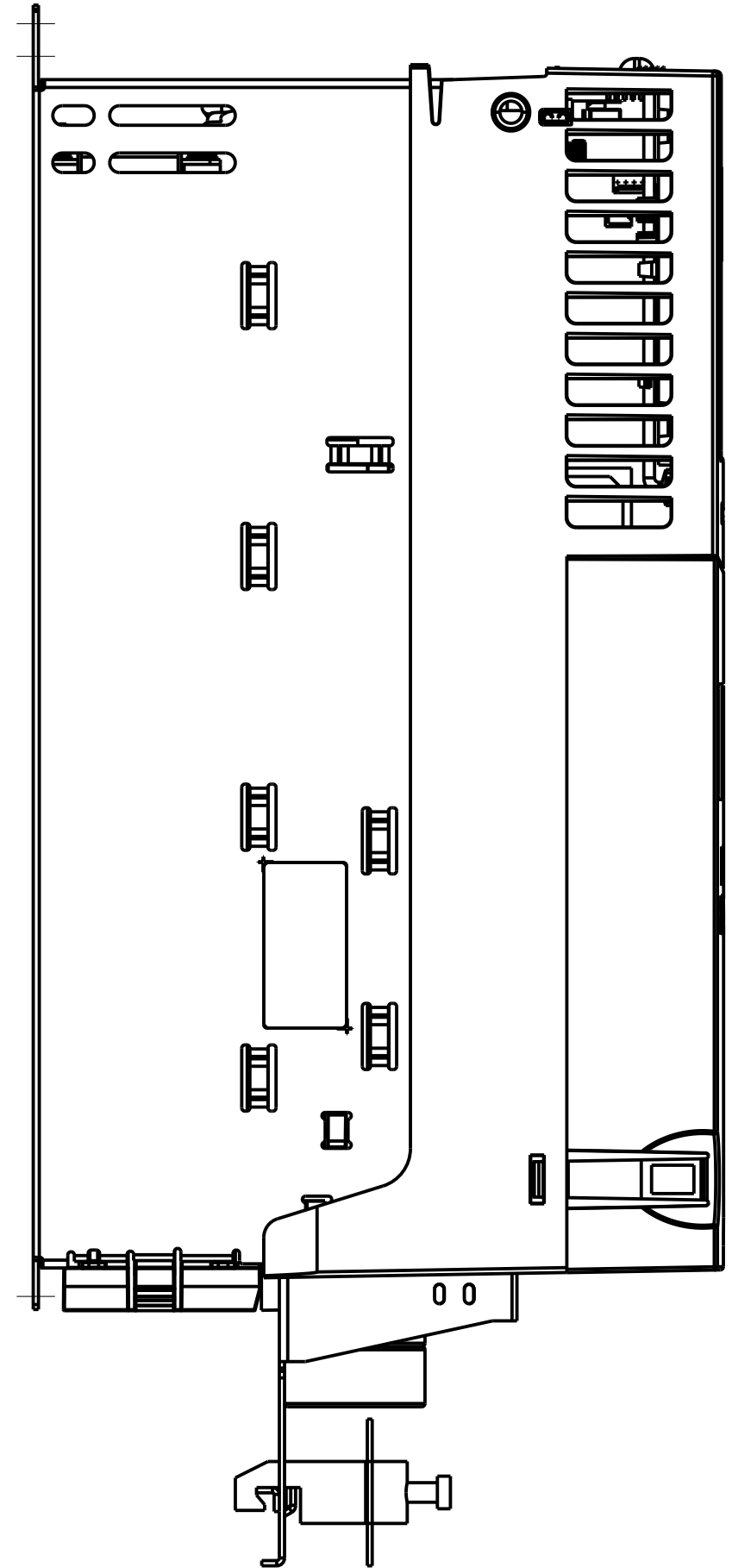
TYPE 1

CAD MODEL	10000172458	01
PART NUMBER		

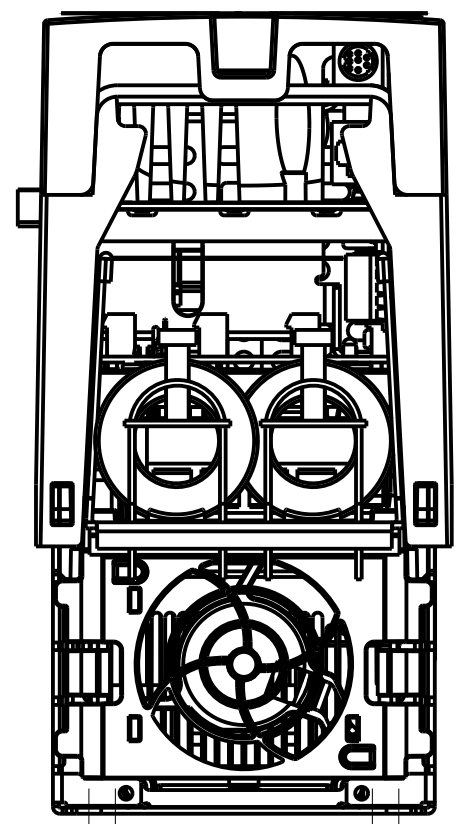
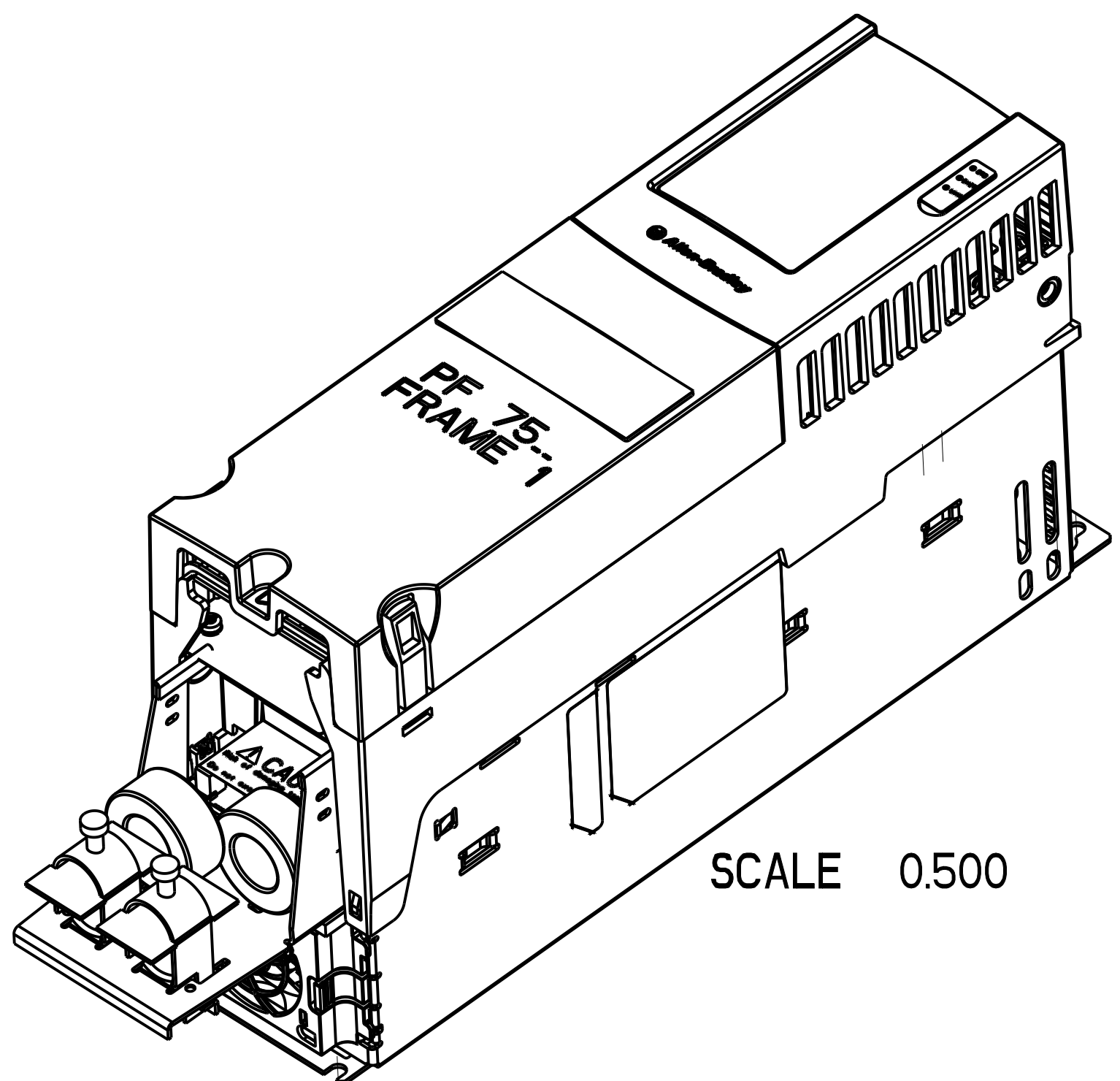
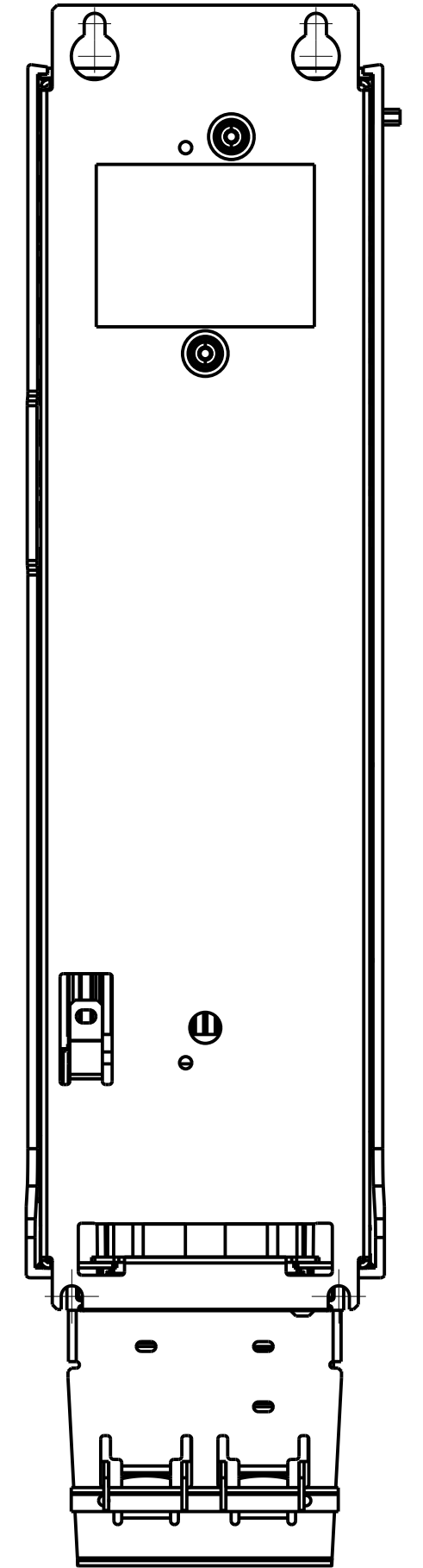
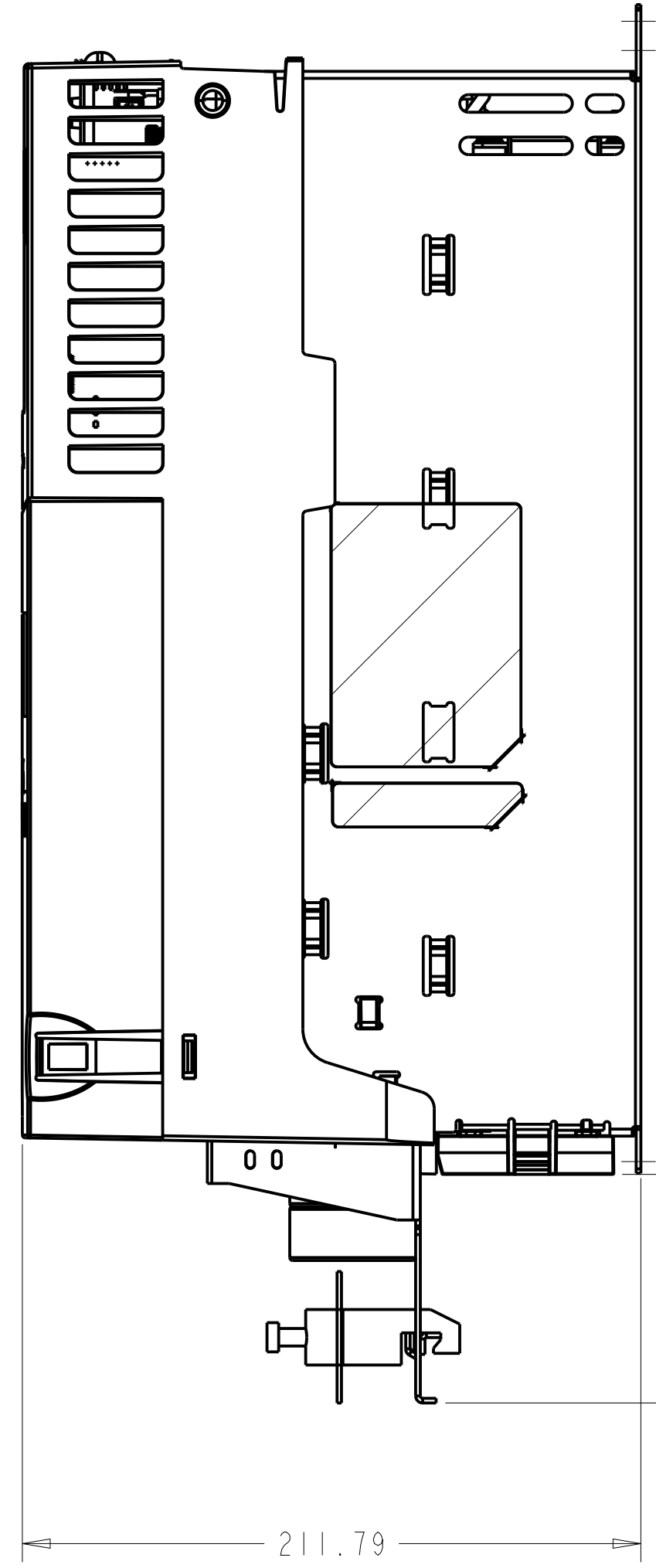
		<small>CONFIDENTIAL AND PROPRIETARY INFORMATION. THIS DOCUMENT CONTAINS CONFIDENTIAL AND PROPRIETARY INFORMATION OF ROCKWELL AUTOMATION, INC. AND MAY NOT BE USED, COPIED OR DISCLOSED TO OTHERS, EXCEPT WITH THE AUTHORIZED WRITTEN PERMISSION OF ROCKWELL AUTOMATION, INC.</small>	
		Sheet 2 Of 3	
DESCRIPTION	STANDARD_PF750_FRI_TYPE1	Size	D1R
Drawn by:	PBADURA	Date:	03-25-13
		Ver	01

1 2 3 4 5 6 7 8

A
B
C
D
E
F
G
H



SCALE 0.500



EMC

CAD MODEL	10000172458	01
PART NUMBER		

DESCRIPTION	Rockwell Automation		<small>CONFIDENTIAL AND PROPRIETARY INFORMATION. THIS DOCUMENT CONTAINS CONFIDENTIAL AND PROPRIETARY INFORMATION OF ROCKWELL AUTOMATION, INC. AND MAY NOT BE USED, COPIED OR DISCLOSED TO OTHERS, EXCEPT WITH THE AUTHORIZED WRITTEN PERMISSION OF ROCKWELL AUTOMATION, INC.</small>	
	STANDARD_PF750_F1 EMC		Sheet 3 Of 3	
Drawn by: PBADURA	Date: 03-25-13	Size D1R	10000211412	Ver 01