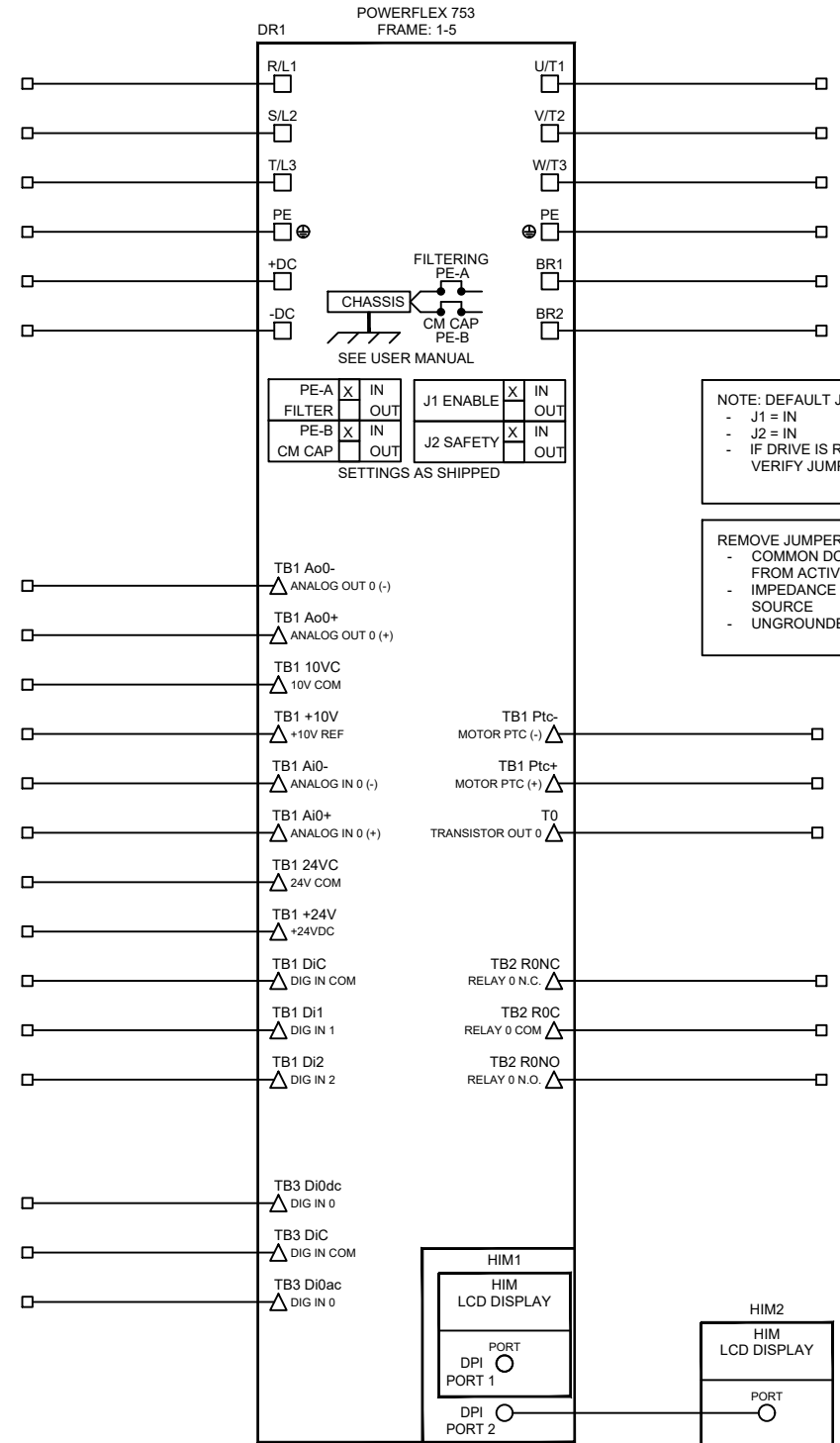


NOTES
REFER TO SHEET 1 FOR NOTES.

DRIVE LEGEND

- POWER TERMINAL
- CONTROL TERMINAL



SEE USER MANUAL

PE-A	<input checked="" type="checkbox"/>	IN	J1 ENABLE	<input checked="" type="checkbox"/>	IN
FILTER	<input checked="" type="checkbox"/>	OUT	J2 SAFETY	<input checked="" type="checkbox"/>	IN
PE-B	<input checked="" type="checkbox"/>	IN			
CM CAP	<input checked="" type="checkbox"/>	OUT			

SETTINGS AS SHIPPED

NOTE: DEFAULT JUMPER POSITIONS:
 - J1 = IN
 - J2 = IN
 - IF DRIVE IS REPLACED PLEASE VERIFY JUMPER SETTINGS

REMOVE JUMPERS PEA AND PEB FOR:
 - COMMON DC BUS APPLICATION FED FROM ACTIVE CONVERTER
 - IMPEDANCE GROUNDED POWER SOURCE
 - UNGROUNDED POWER SOURCE

RA Rockwell Automation

DESCRIPTION
STANDARD_PF753_F1-5_SCHEMATIC
NEMA

CREATED BY TPS1 CHANGED BY

CONFIDENTIAL AND PROPRIETARY INFORMATION. THIS DOCUMENT CONTAINS CONFIDENTIAL AND PROPRIETARY INFORMATION OF ROCKWELL AUTOMATION, INC. AND MAY NOT BE USED, COPIED OR DISCLOSED TO OTHERS, EXCEPT WITH THE AUTHORIZED WRITTEN PERMISSION OF ROCKWELL AUTOMATION, INC.

DATE	2021-12-03	SHEET	1	OF	1
SIZE	B	DIR	10006465747	VER	00