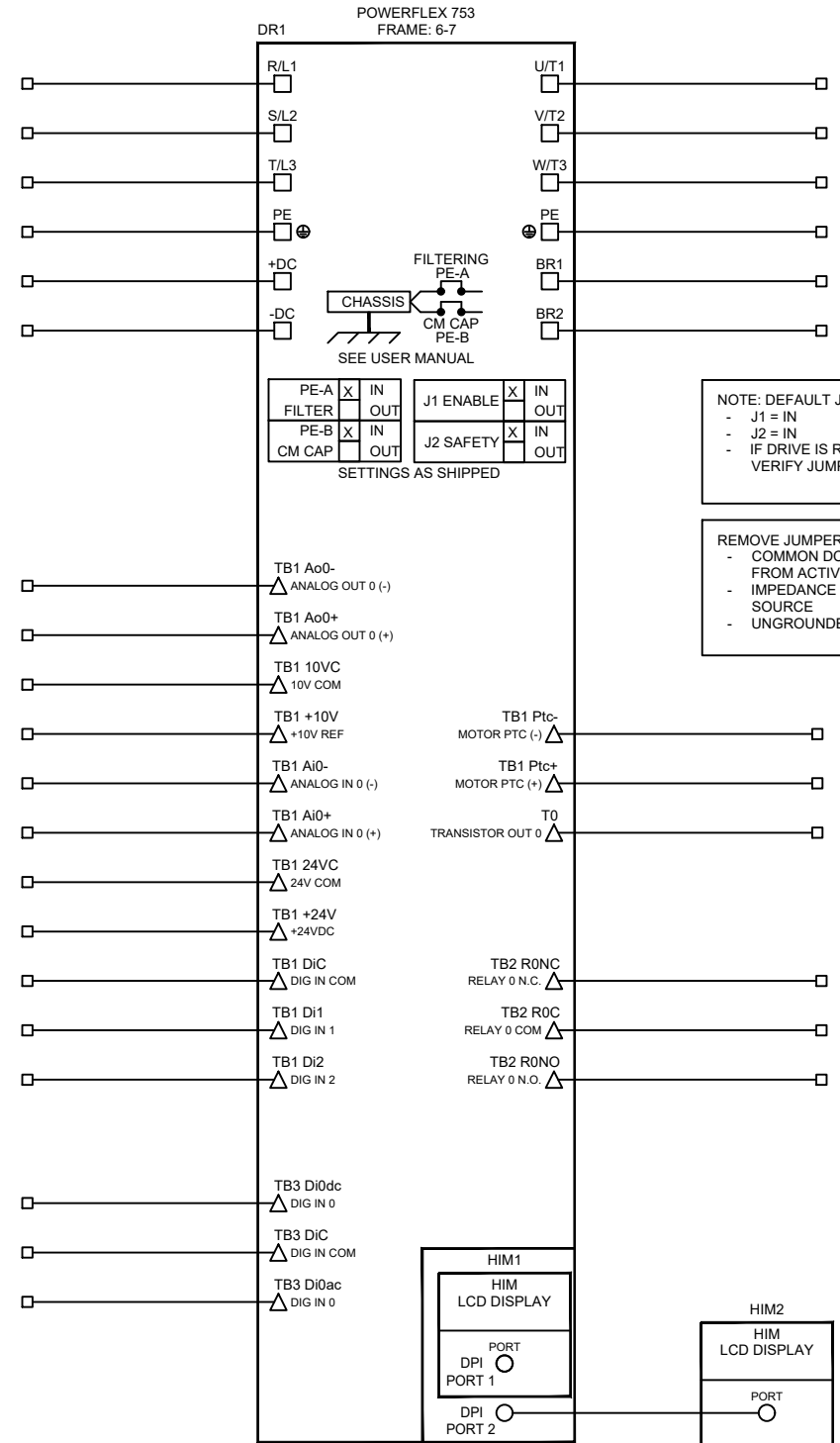


NOTES
REFER TO SHEET 1 FOR NOTES.

DRIVE LEGEND

- POWER TERMINAL
- CONTROL TERMINAL



NOTE: DEFAULT JUMPER POSITIONS:
 - J1 = IN
 - J2 = IN
 - IF DRIVE IS REPLACED PLEASE VERIFY JUMPER SETTINGS

REMOVE JUMPERS PEA AND PEB FOR:
 - COMMON DC BUS APPLICATION FED FROM ACTIVE CONVERTER
 - IMPEDANCE GROUNDED POWER SOURCE
 - UNGROUNDED POWER SOURCE

RA Rockwell Automation

DESCRIPTION
STANDARD_PF753_F6-7_SCHEMATIC
NEMA

CREATED BY TPS1 CHANGED BY

CONFIDENTIAL AND PROPRIETARY INFORMATION. THIS DOCUMENT CONTAINS CONFIDENTIAL AND PROPRIETARY INFORMATION OF ROCKWELL AUTOMATION, INC. AND MAY NOT BE USED, COPIED OR DISCLOSED TO OTHERS, EXCEPT WITH THE AUTHORIZED WRITTEN PERMISSION OF ROCKWELL AUTOMATION, INC.

DATE	2021-10-24	SHEET	1	OF	1
SIZE	B	DIR	10006467767	VER	00