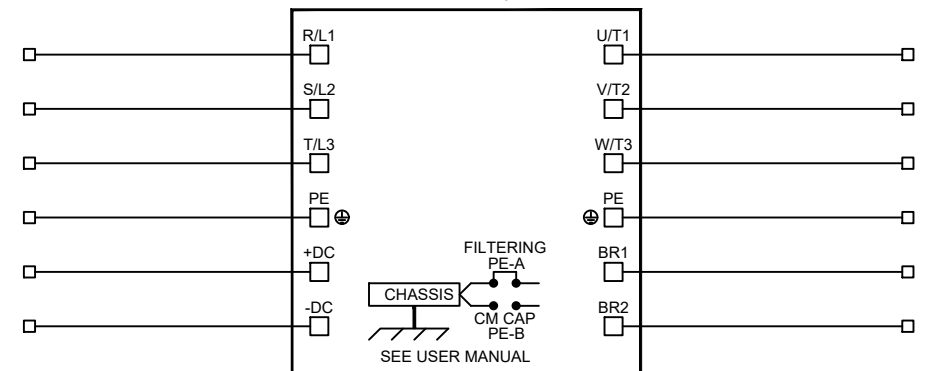


NOTES
REFER TO SHEET 1 FOR NOTES.

DRIVE LEGEND

- POWER TERMINAL
- CONTROL TERMINAL

POWERFLEX 755
FRAME: 1-5

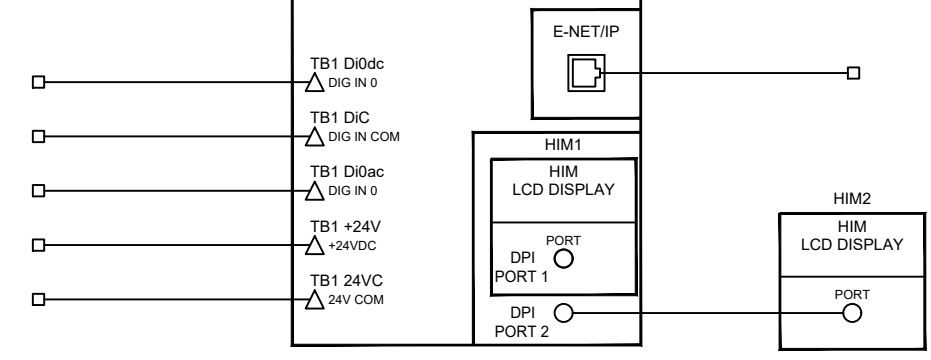


PE-A	<input checked="" type="checkbox"/>	IN	J1 ENABLE	<input checked="" type="checkbox"/>	IN
FILTER	<input checked="" type="checkbox"/>	OUT		<input checked="" type="checkbox"/>	OUT
PE-B	<input type="checkbox"/>	IN	J2 SAFETY	<input checked="" type="checkbox"/>	IN
CM CAP	<input checked="" type="checkbox"/>	OUT		<input checked="" type="checkbox"/>	OUT

SETTINGS AS SHIPPED

NOTE: DEFAULT JUMPER POSITIONS:
 - J1 = IN
 - J2 = IN
 - IF DRIVE IS REPLACED PLEASE VERIFY JUMPER SETTINGS

REMOVE JUMPERS PEA AND PEB FOR:
 - COMMON DC BUS APPLICATION FED FROM ACTIVE CONVERTER
 - IMPEDANCE GROUNDED POWER SOURCE
 - UNGROUNDED POWER SOURCE



RA Rockwell Automation

DESCRIPTION: STANDARD_PF755_F1-5_SCHEMATIC NEMA

CREATED BY: TPS1 CHANGED BY:

CONFIDENTIAL AND PROPRIETARY INFORMATION. THIS DOCUMENT CONTAINS CONFIDENTIAL AND PROPRIETARY INFORMATION OF ROCKWELL AUTOMATION, INC. AND MAY NOT BE USED, COPIED OR DISCLOSED TO OTHERS, EXCEPT WITH THE AUTHORIZED WRITTEN PERMISSION OF ROCKWELL AUTOMATION, INC.

DATE	2021-11-16	SHEET	1	OF	1
SIZE	B	DIR	10006479017	VER	00