

- NOTES:
- ENCLOSURE SYSTEM IS 2000MM TALL 600MM DEEP.
 - DRIVE SIZE SHOWN:

INPUT VOLTAGE	NORMAL DUTY RATING
400	2000kW
480	3000HP
600	2500HP
690	2300kW

DIMENSIONS IN MM
UNLESS OTHERWISE SPECIFIED:
DIMENSIONS & TOLERANCING IN ACCORDANCE WITH ASME Y14.5-2009
ALL UNTOLERANCED DIMENSIONS ARE BASIC AND CONTROLLED BY THE CAD MODEL AND CONTROLLED SIMULTANEOUSLY.

RA Rockwell Automation

CONFIDENTIAL AND PROPRIETARY INFORMATION. THIS DOCUMENT CONTAINS CONFIDENTIAL AND PROPRIETARY INFORMATION OF ROCKWELL AUTOMATION, INC. AND MAY NOT BE USED, COPIED OR DISCLOSED TO OTHERS, EXCEPT WITH THE AUTHORIZED WRITTEN PERMISSION OF ROCKWELL AUTOMATION, INC.

DATE: 2021-08-25 SHEET 1 OF 2

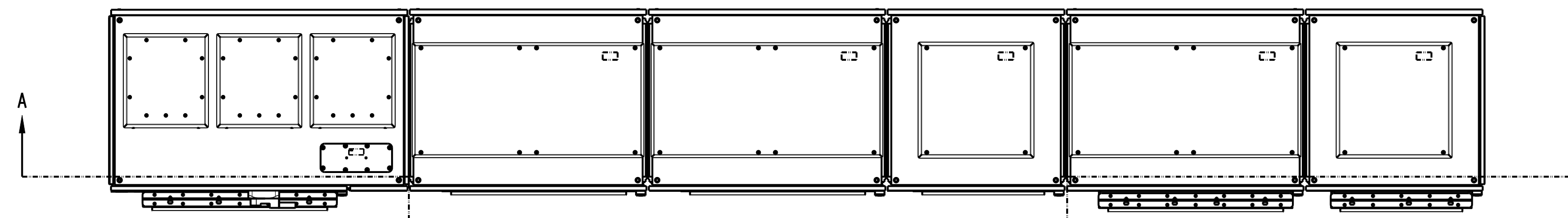
DESCRIPTION: STANDARD PF755 TL TR FRAME-12

SIZE: D1R

VER: 00

10006344220

CREATED BY: VNS1 CHANGED BY: TPS1



**INPUT BAY
1000MM
(600/690V)**

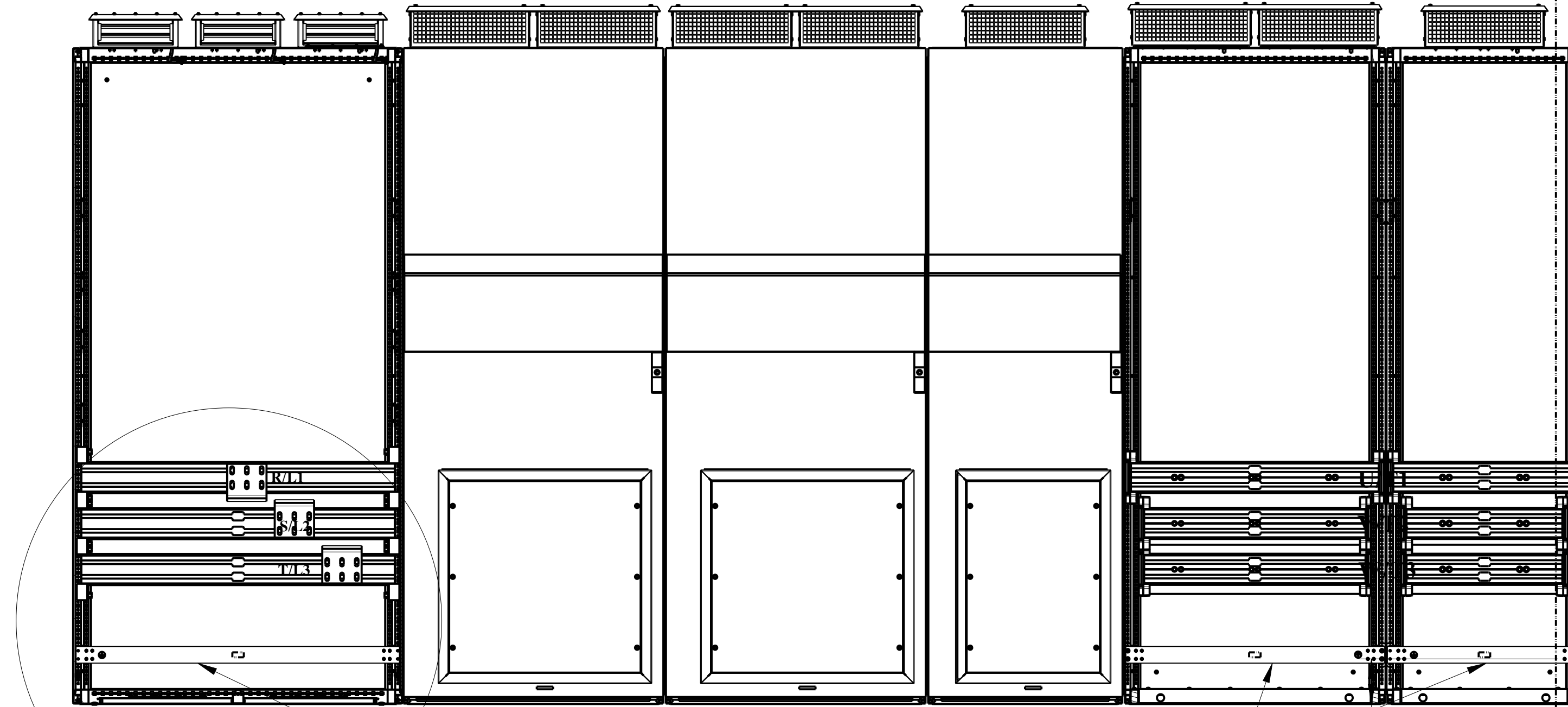
**POWER BAY
800MM**

**POWER BAY
800MM**

**POWER BAY
600MM**

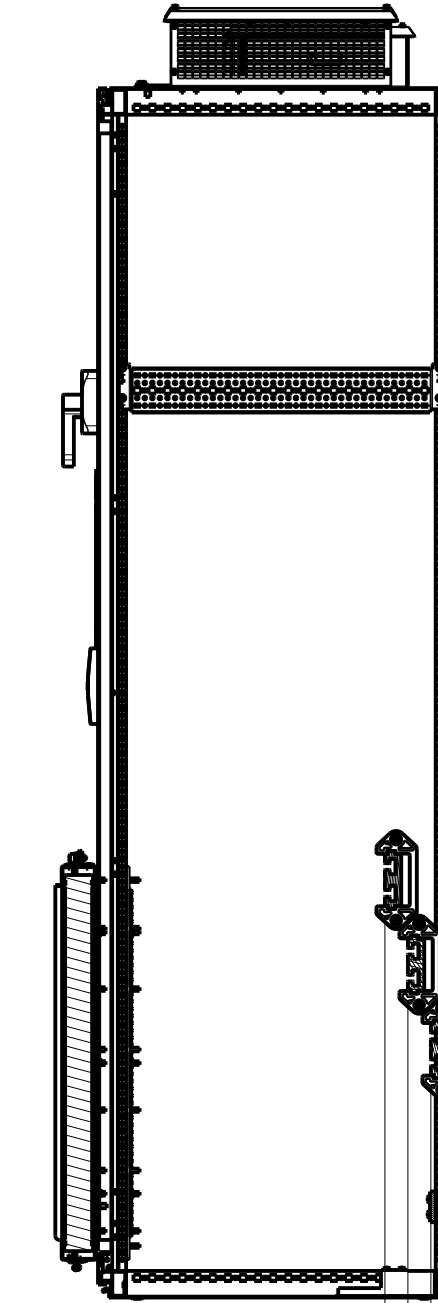
**POWER BAY
800MM**

**POWER BAY
600MM**

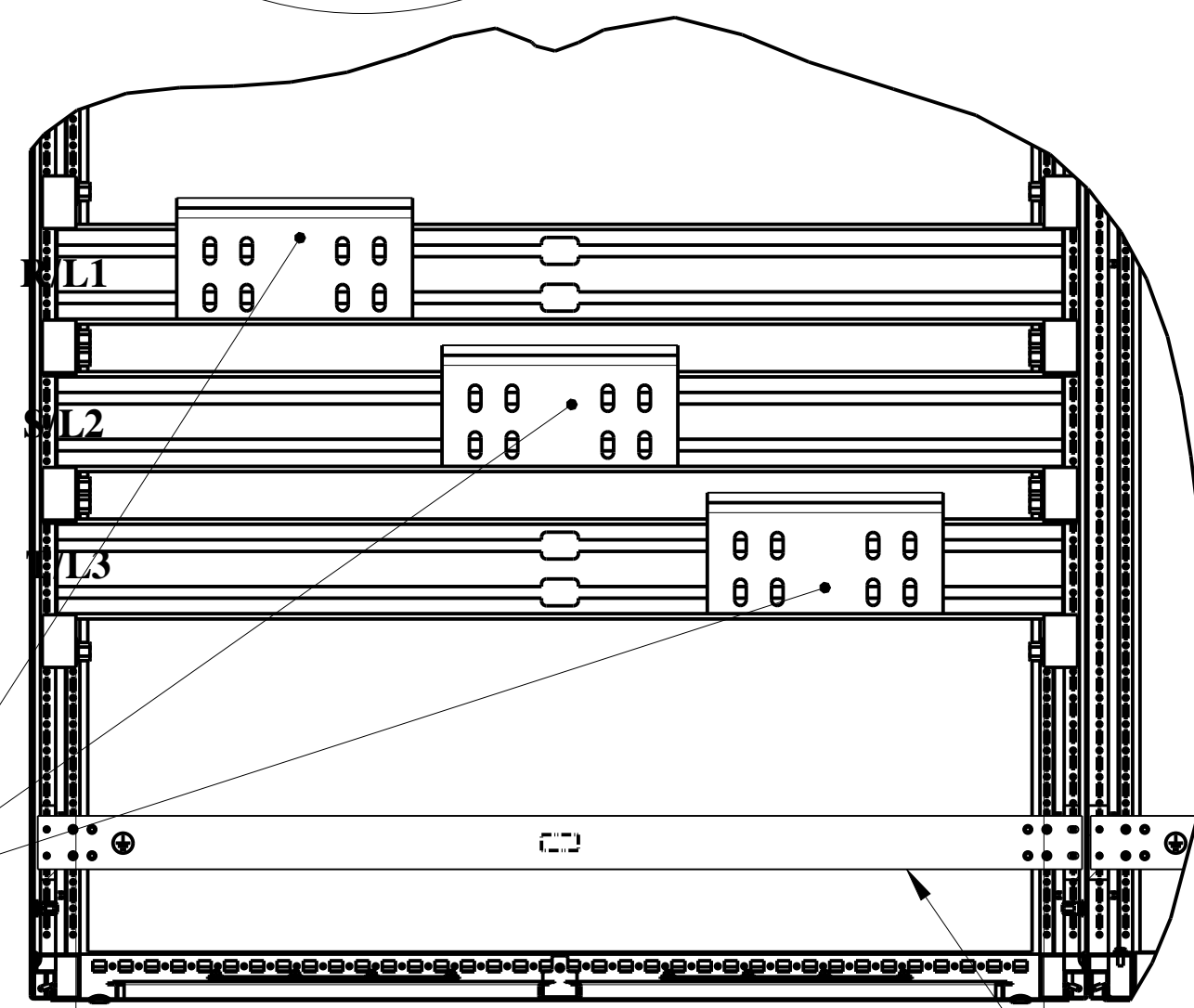


SECTION A-A
SEE DETAIL B

CUSTOMER OUTPUT PE 137.5



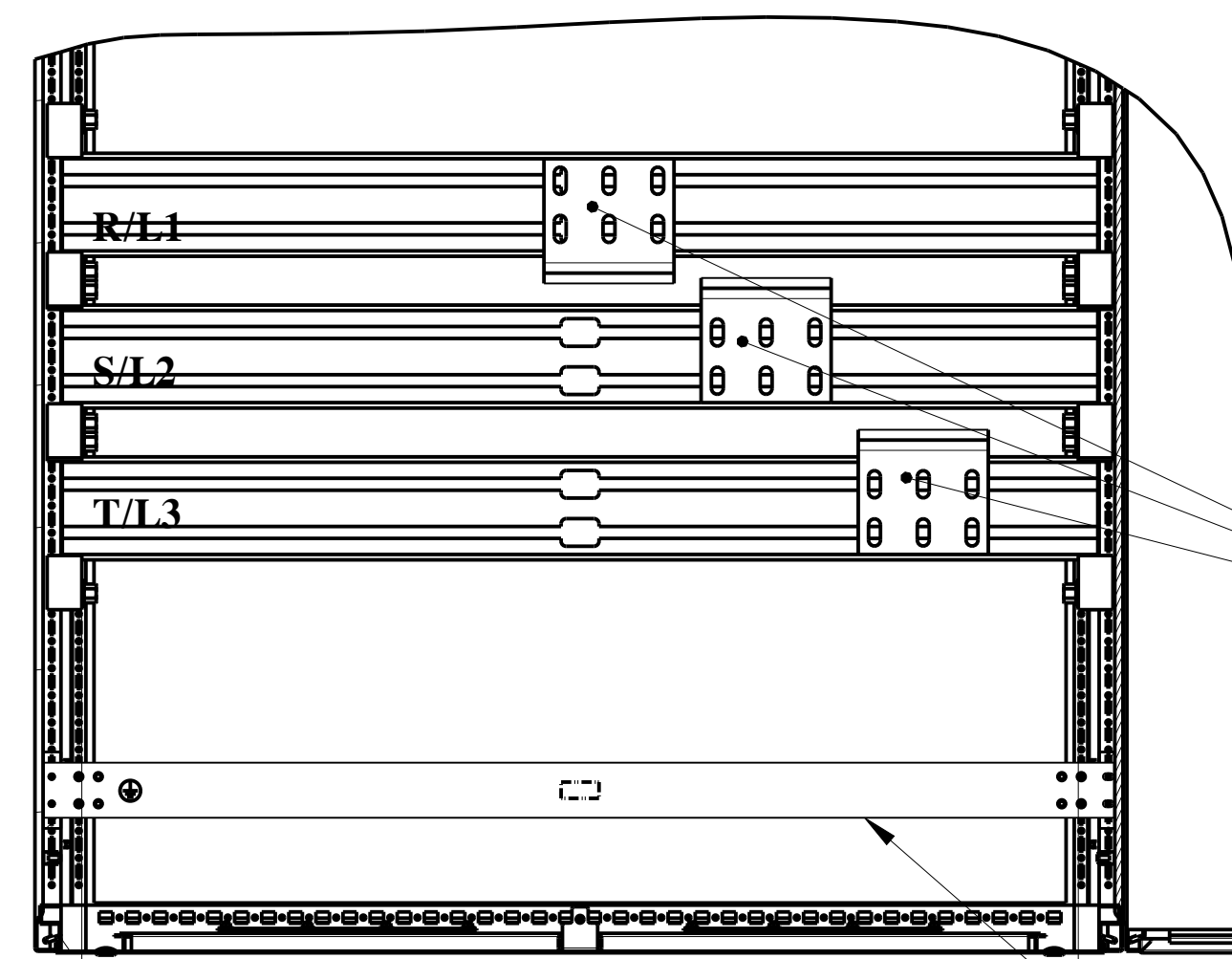
55.4
38
38
SECTION C-C



NO CUSTOMER CONNECTIONS

920
(CUSTOMER CONNECTIONS) PE

DEATIL B
**INPUT BAY
1000MM
(400/480V)**



NO CUSTOMER CONNECTIONS

920
(CUSTOMER CONNECTIONS) PE

DEATIL B
**INPUT BAY
1000MM
(600/690V)**

NOTES:

1. GROUND BUSBARS ARE 10MM THICK.

		<small>CONFIDENTIAL AND PROPRIETARY INFORMATION THIS DOCUMENT CONTAINS CONFIDENTIAL AND PROPRIETARY INFORMATION OF ROCKWELL AUTOMATION, INC. AND MAY NOT BE USED, COPIED OR DISCLOSED TO OTHERS, EXCEPT WITH THE AUTHORIZED WRITTEN PERMISSION OF ROCKWELL AUTOMATION, INC.</small>	
		DATE: 2021-08-25	SHEET 2 OF 2
DESCRIPTION	STANDARD PF755.TL.TR.FRAME-12	SIZE D1R	VER
CREATED BY: VNSI	CHANGED BY: TPSI	D	10006344220 00