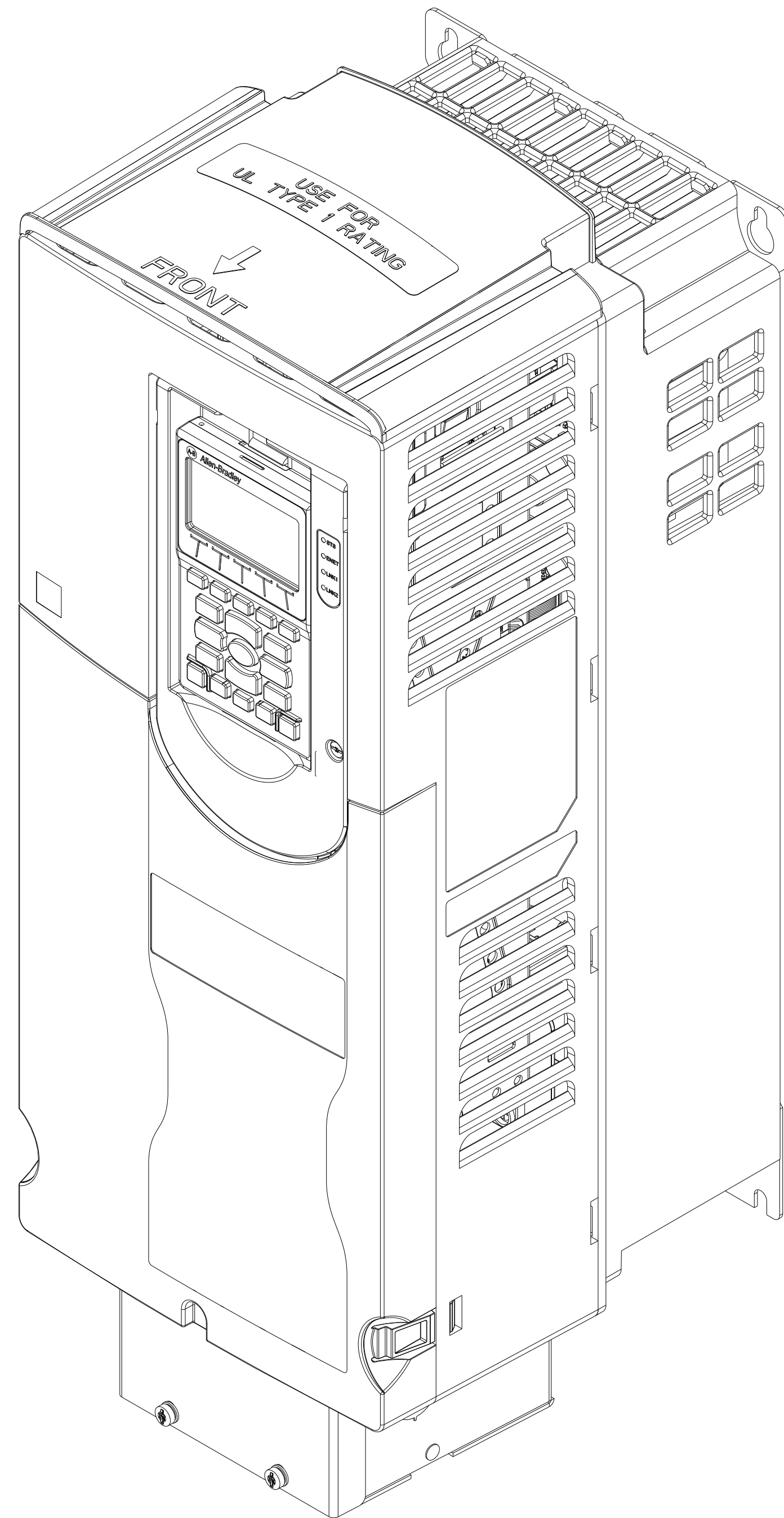
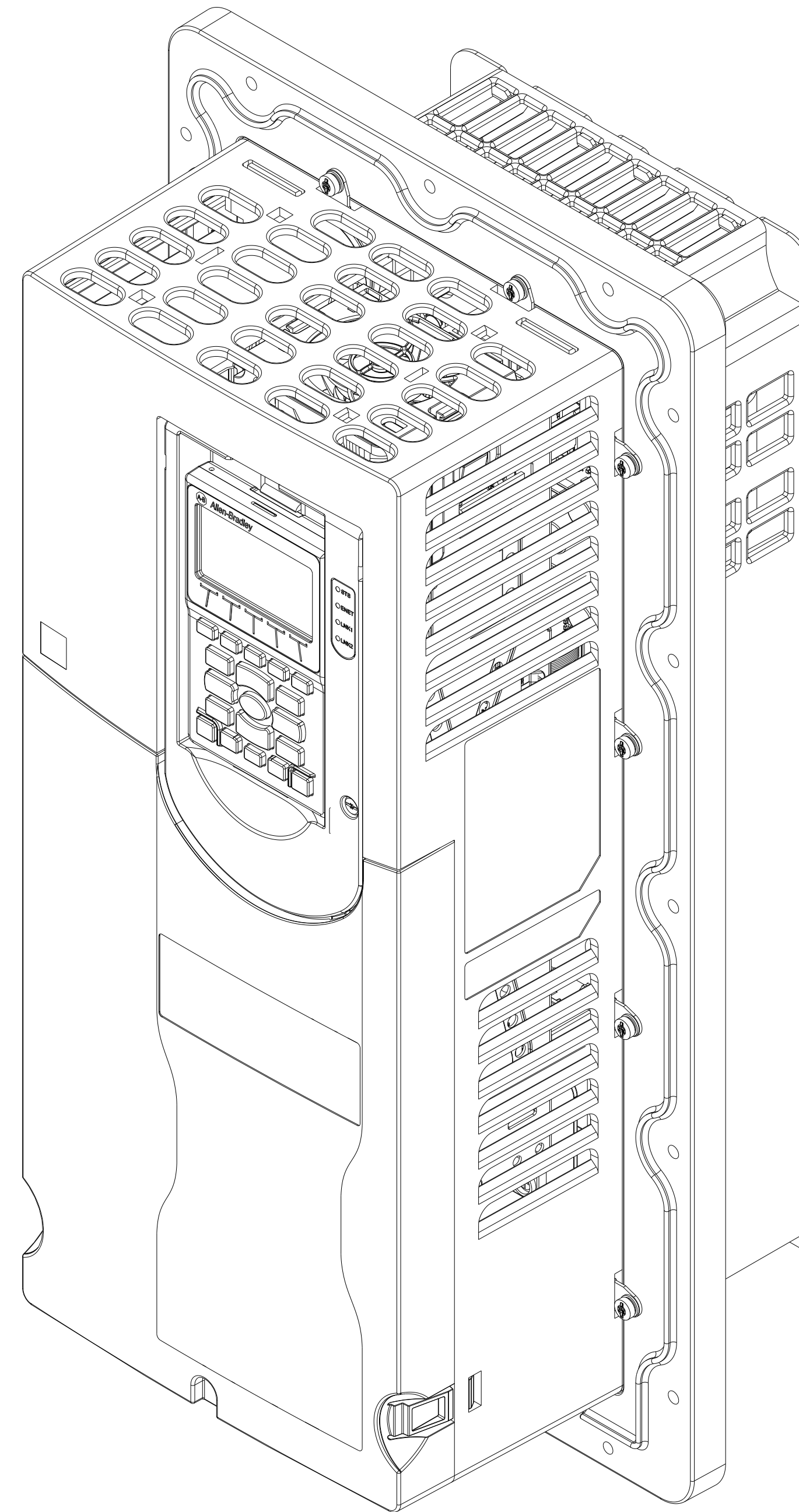


OPEN DRIVE

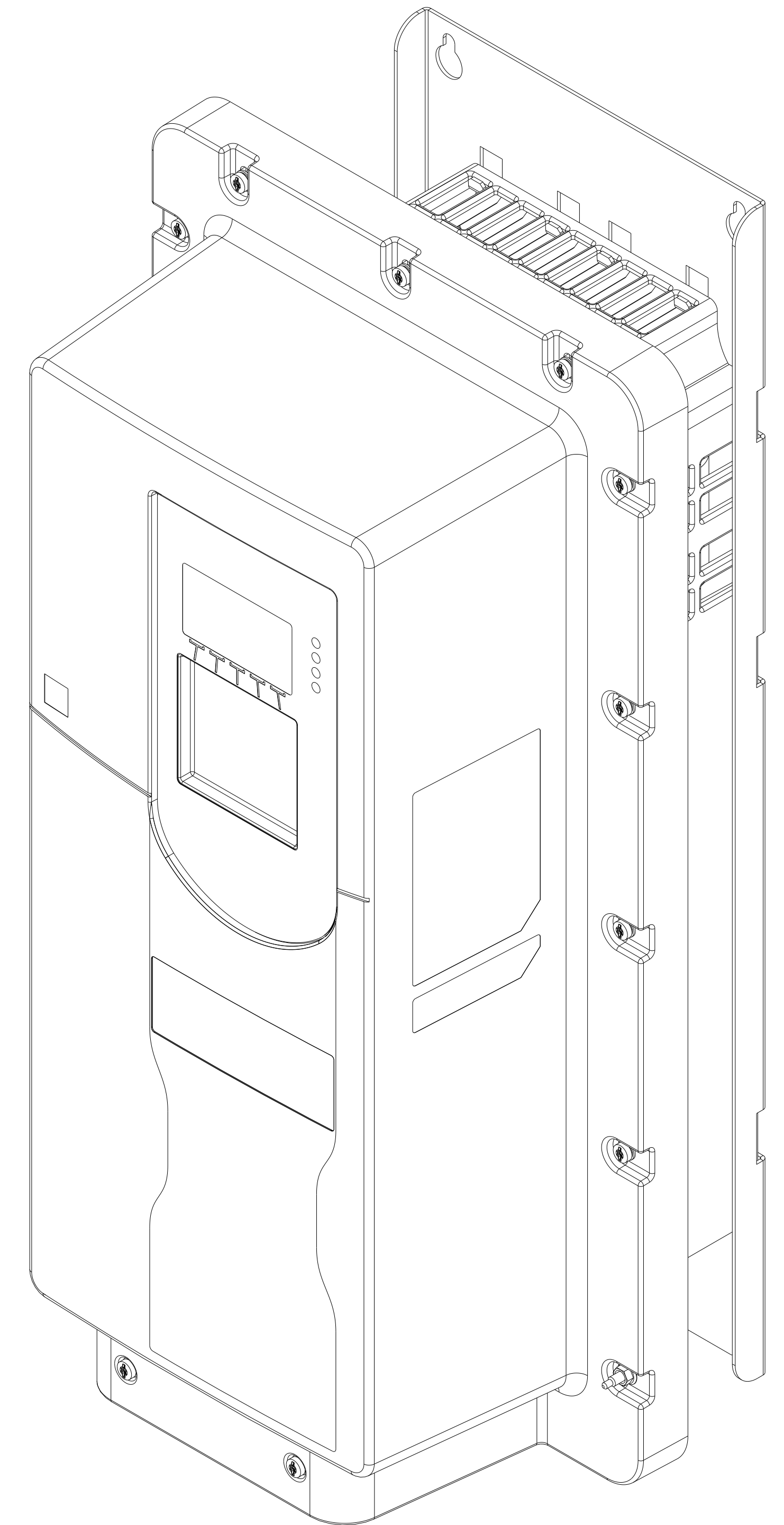


TYPE I DRIVE

AFTER INSTALLATION
OF THE TYPE I KIT



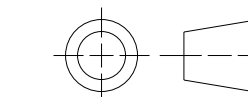
**TYPE 4X
FLANGE DRIVE**



TYPE 12 DRIVE

ALL UNDIMENSIONED GEOMETRIES
ARE CONTROLLED BY THE CAD
MODEL. IN CASE OF DIMENSION
DISCREPANCY, CAD MODEL
OVERRIDES.

THIRD ANGLE PROJECTION



STANDARD-SUBMITTAL PF75TS F-3

CREATED BY: PPOSTUL

CHANGED BY: BMACURA

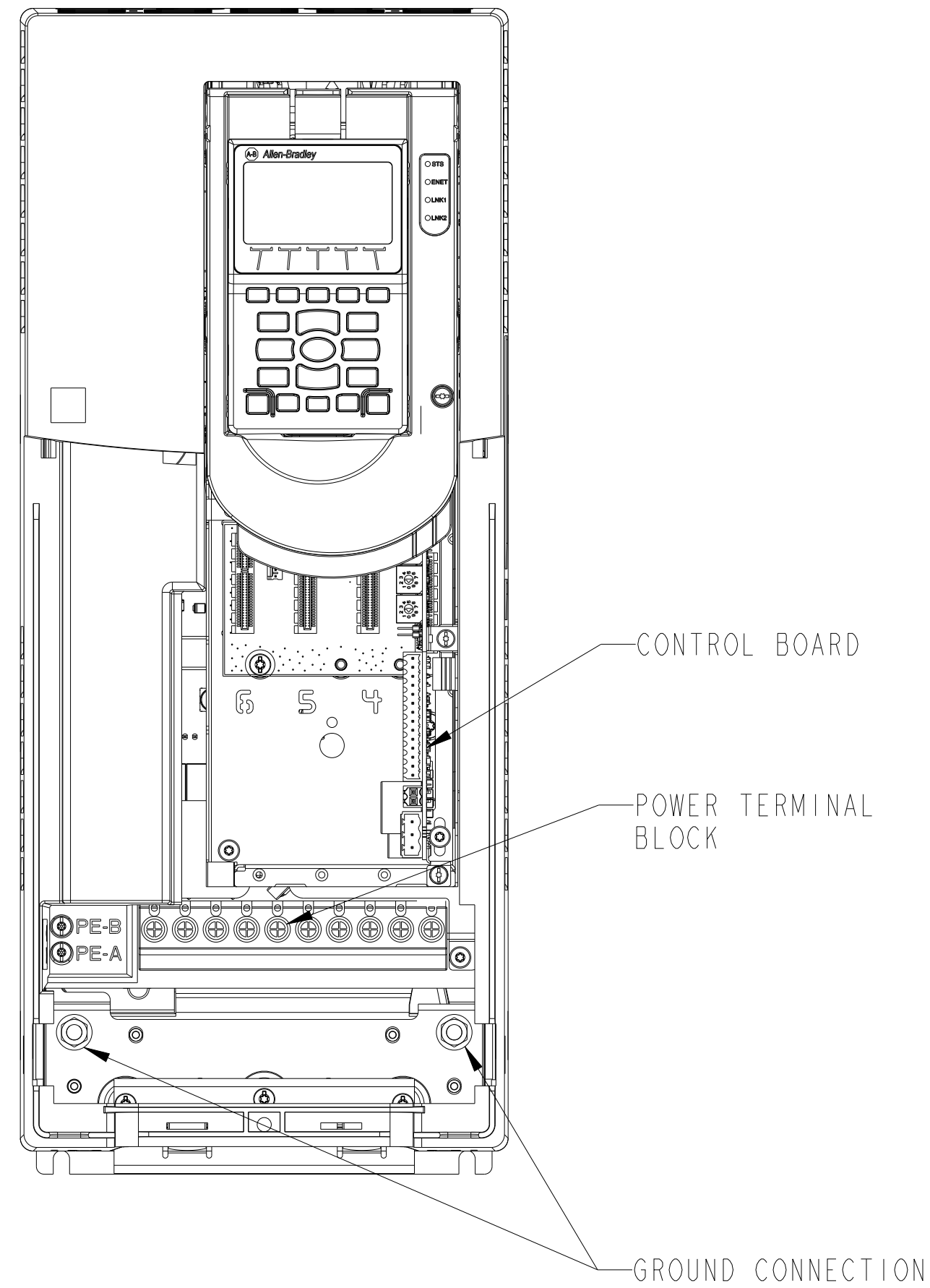
CONFIDENTIAL AND PROPRIETARY INFORMATION.
THIS DOCUMENT CONTAINS CONFIDENTIAL AND PROPRIETARY
INFORMATION OF ROCKWELL AUTOMATION, INC. AND MAY
NOT BE USED, COPIED OR DISCLOSED TO OTHERS, EXCEPT
WITH THE AUTHORIZED WRITTEN PERMISSION OF ROCKWELL
AUTOMATION, INC.

DATE: 2022-02-21 SHEET 1 OF 5

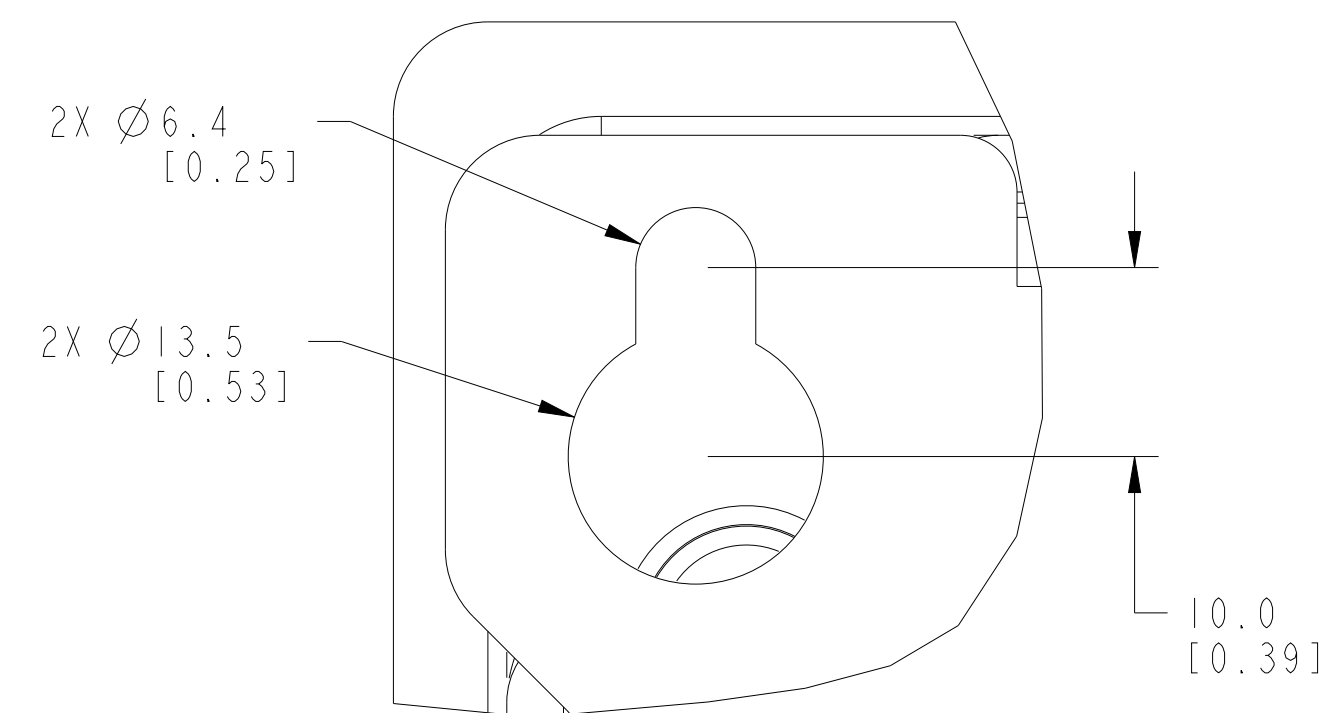
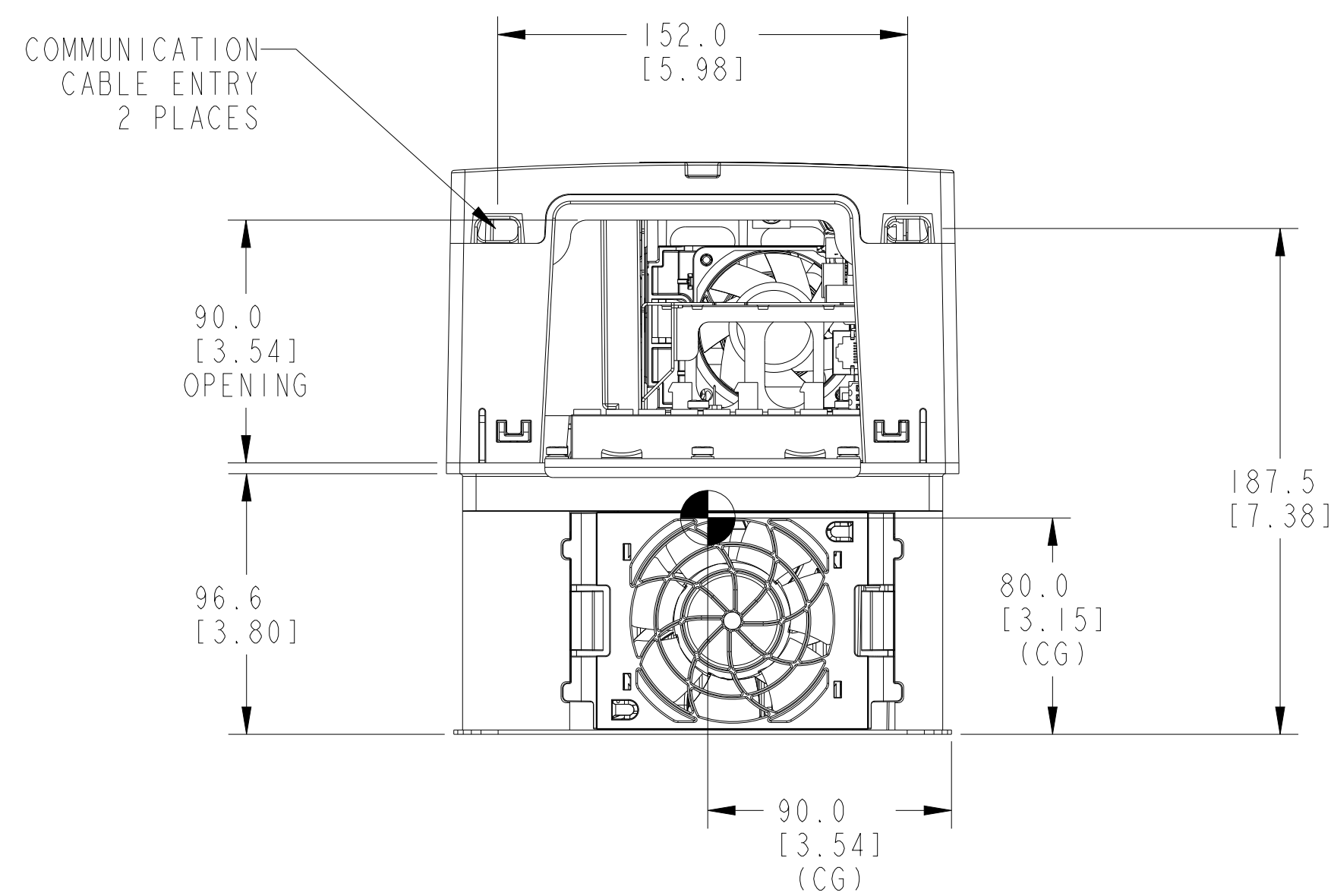
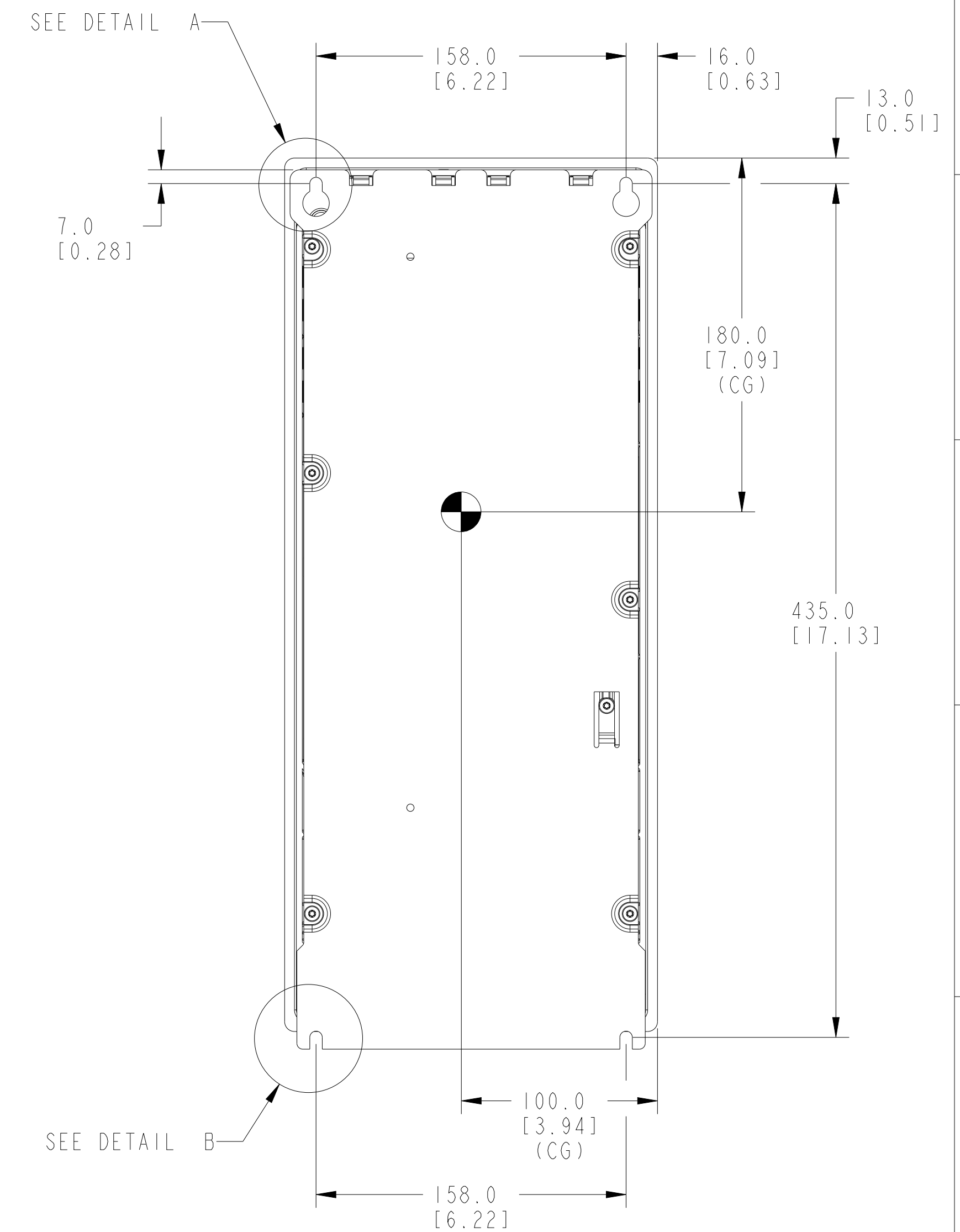
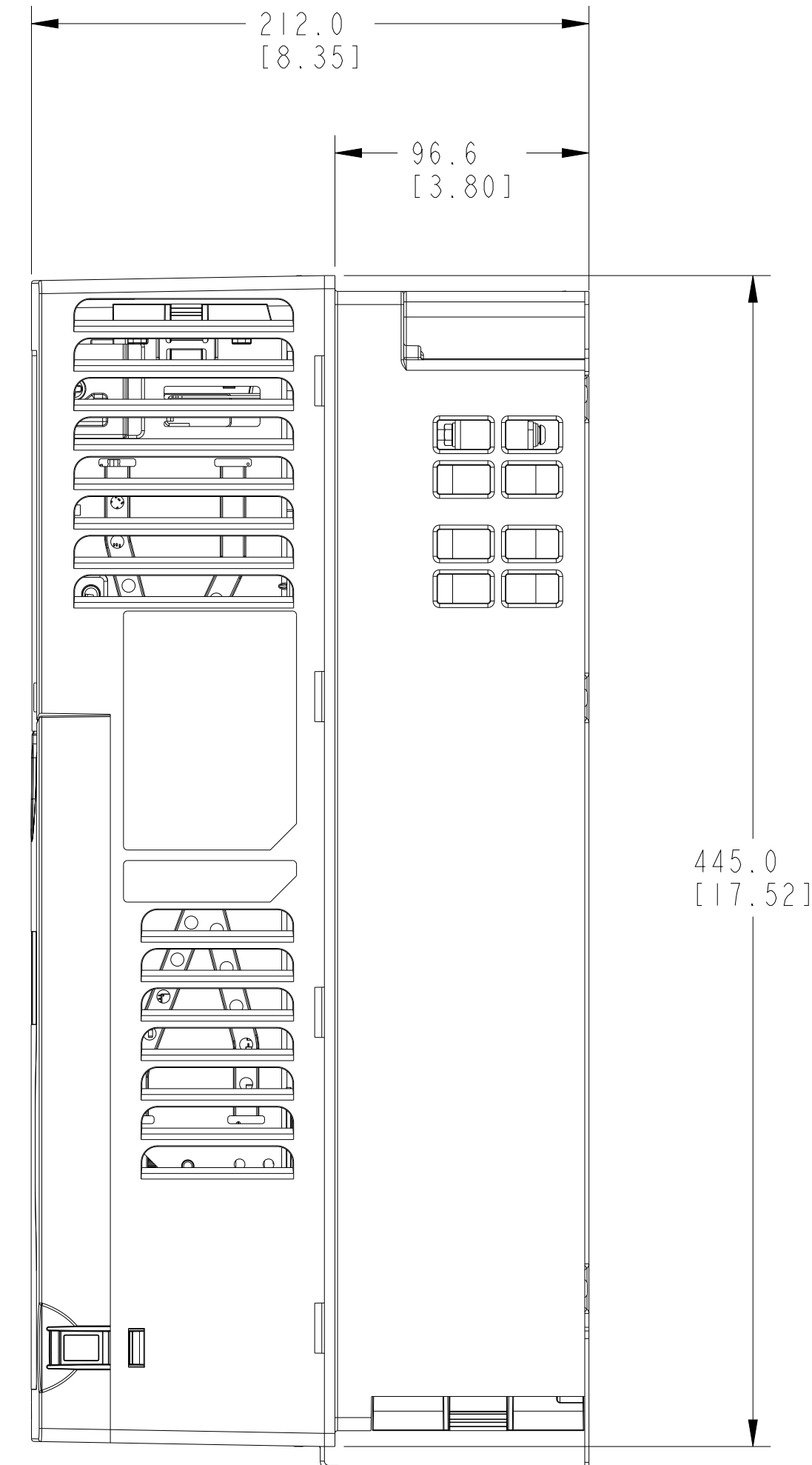
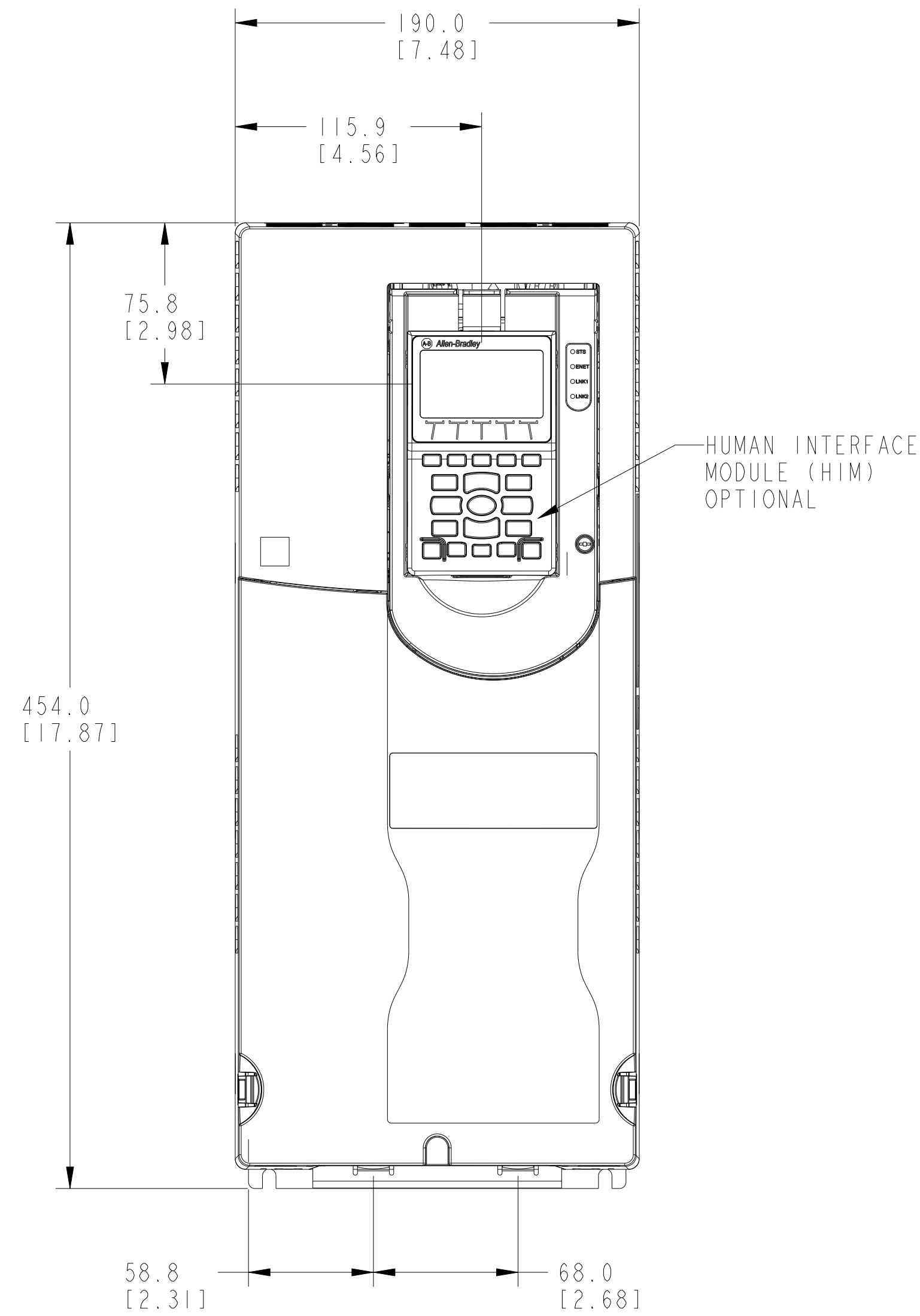
SIZE D1R VER

D 10005567732 01

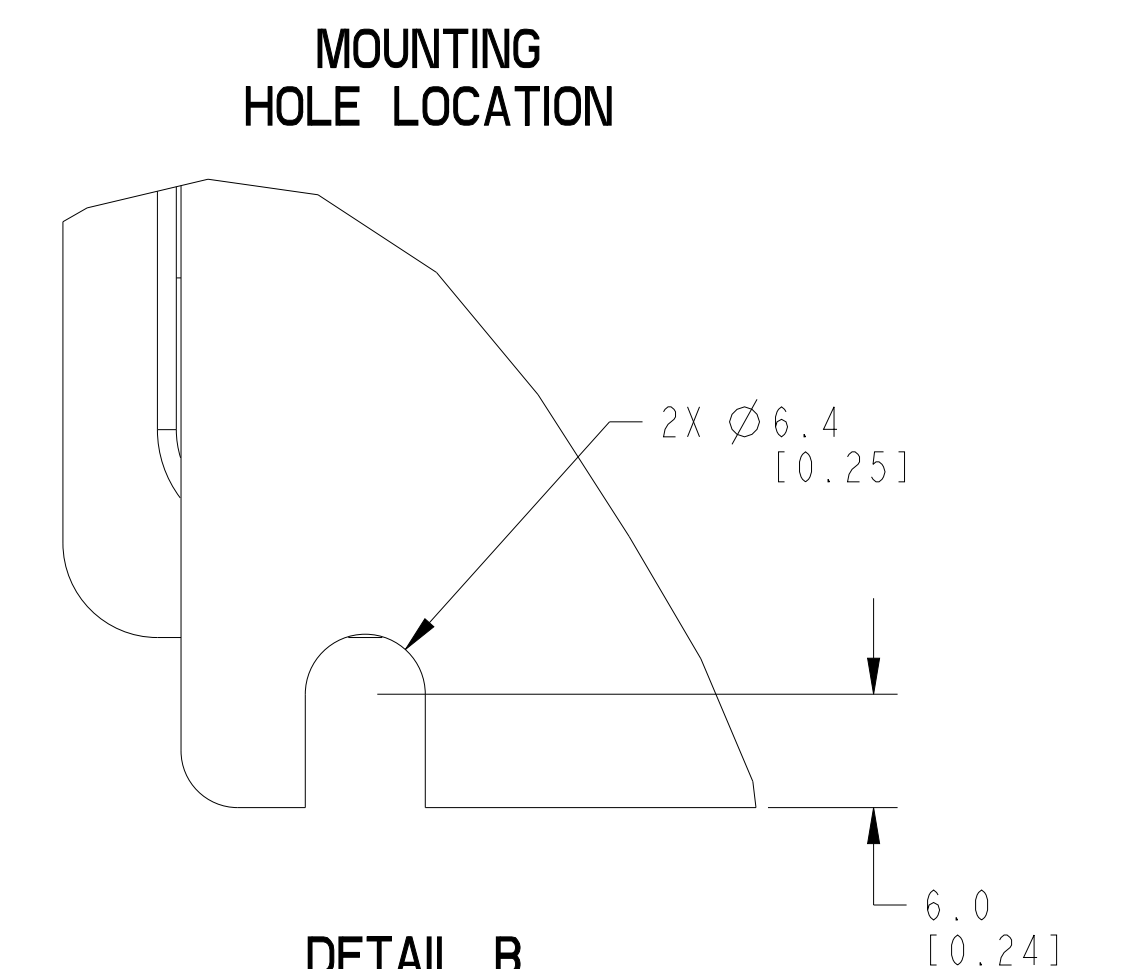
OPEN DRIVE



DRIVE COVER REMOVED



DETAIL A



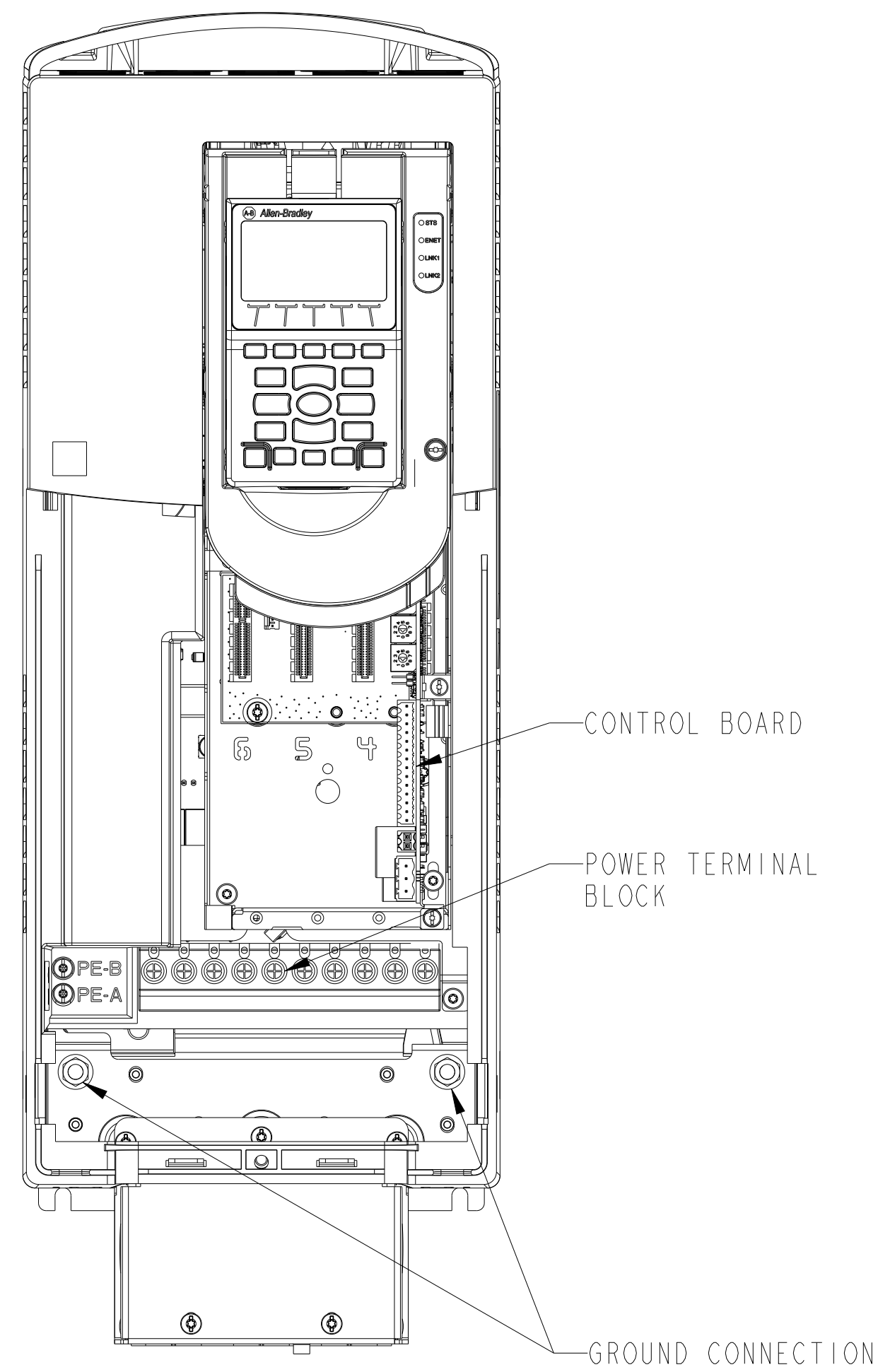
DETAIL B

NOTES:

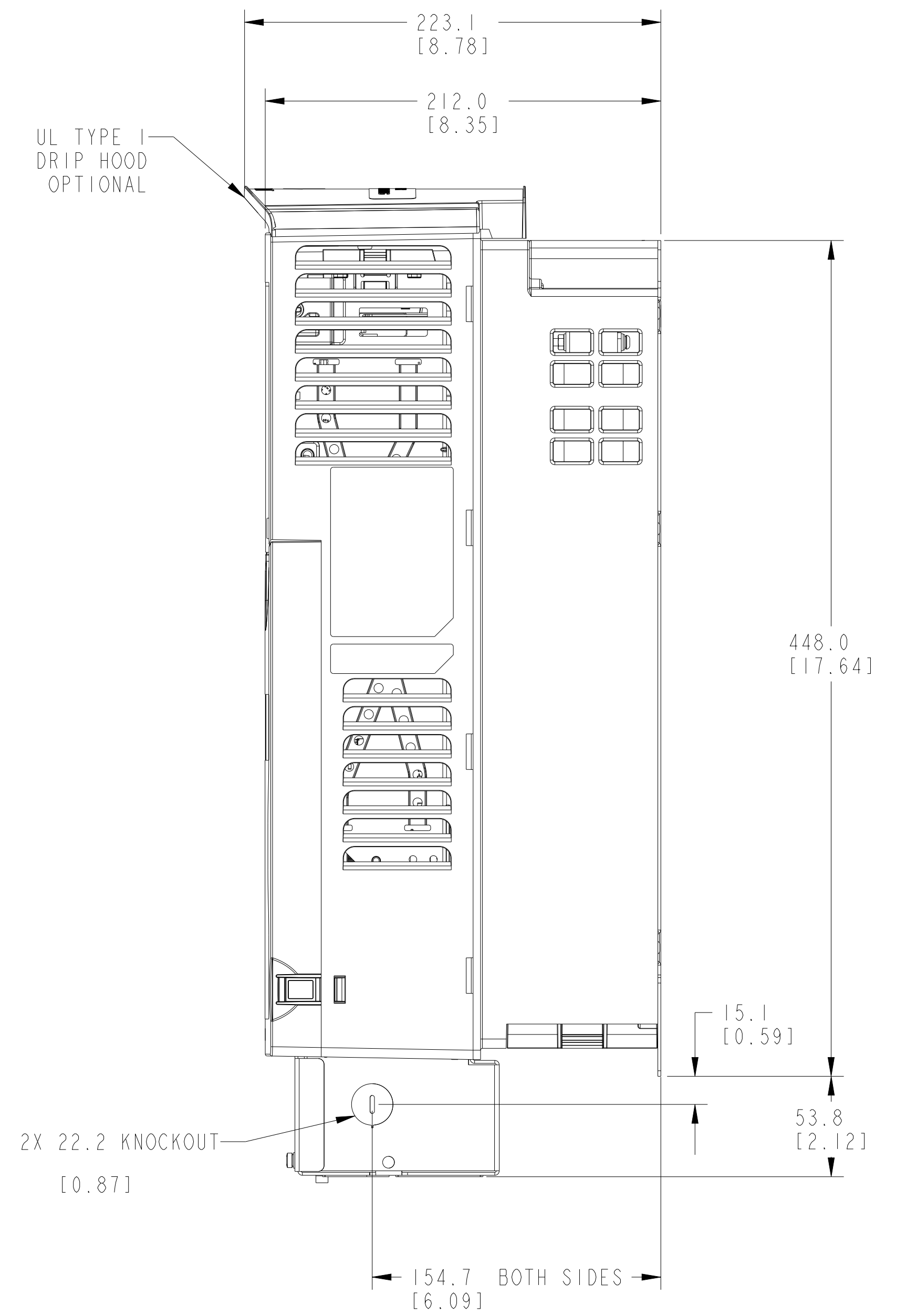
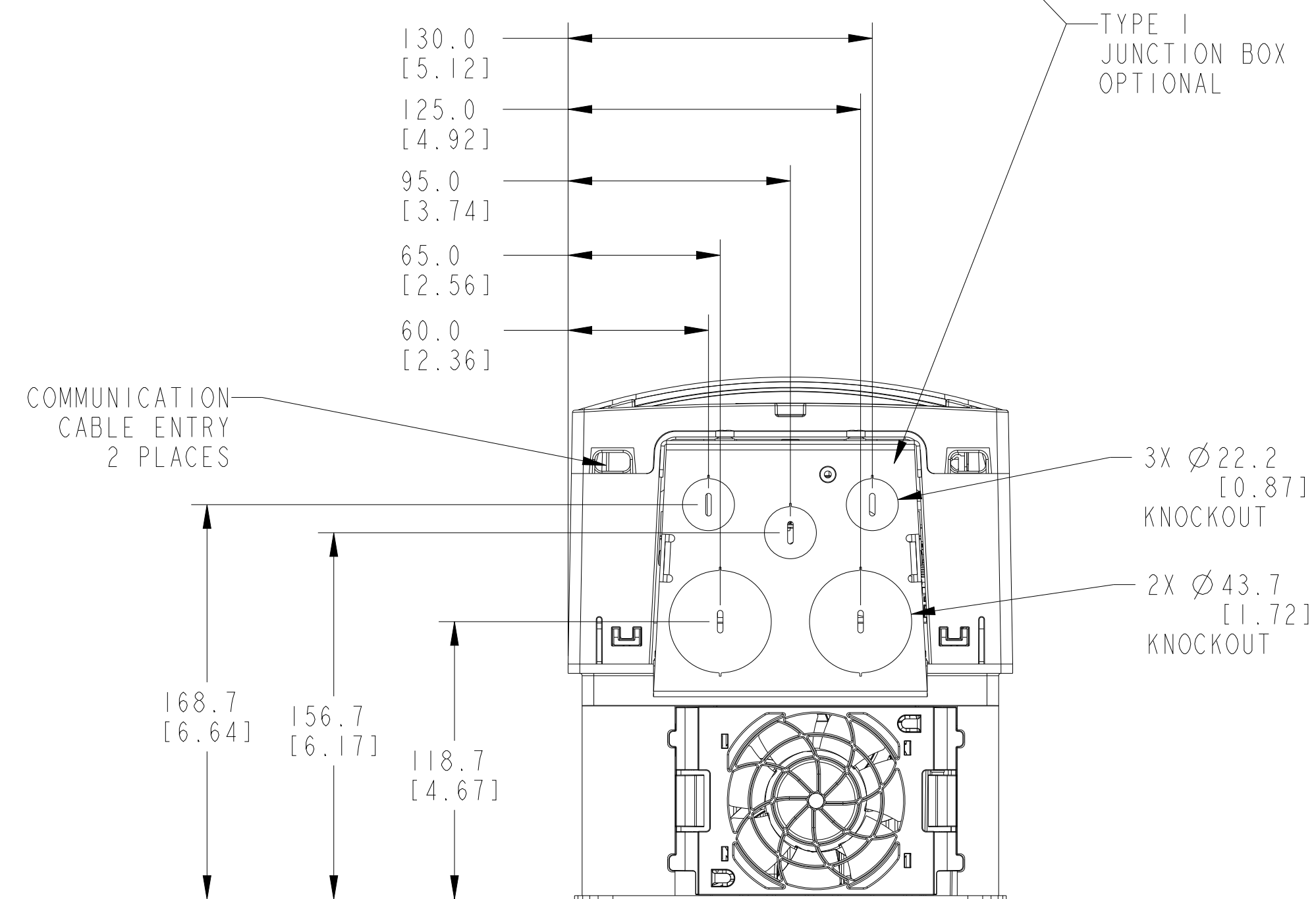
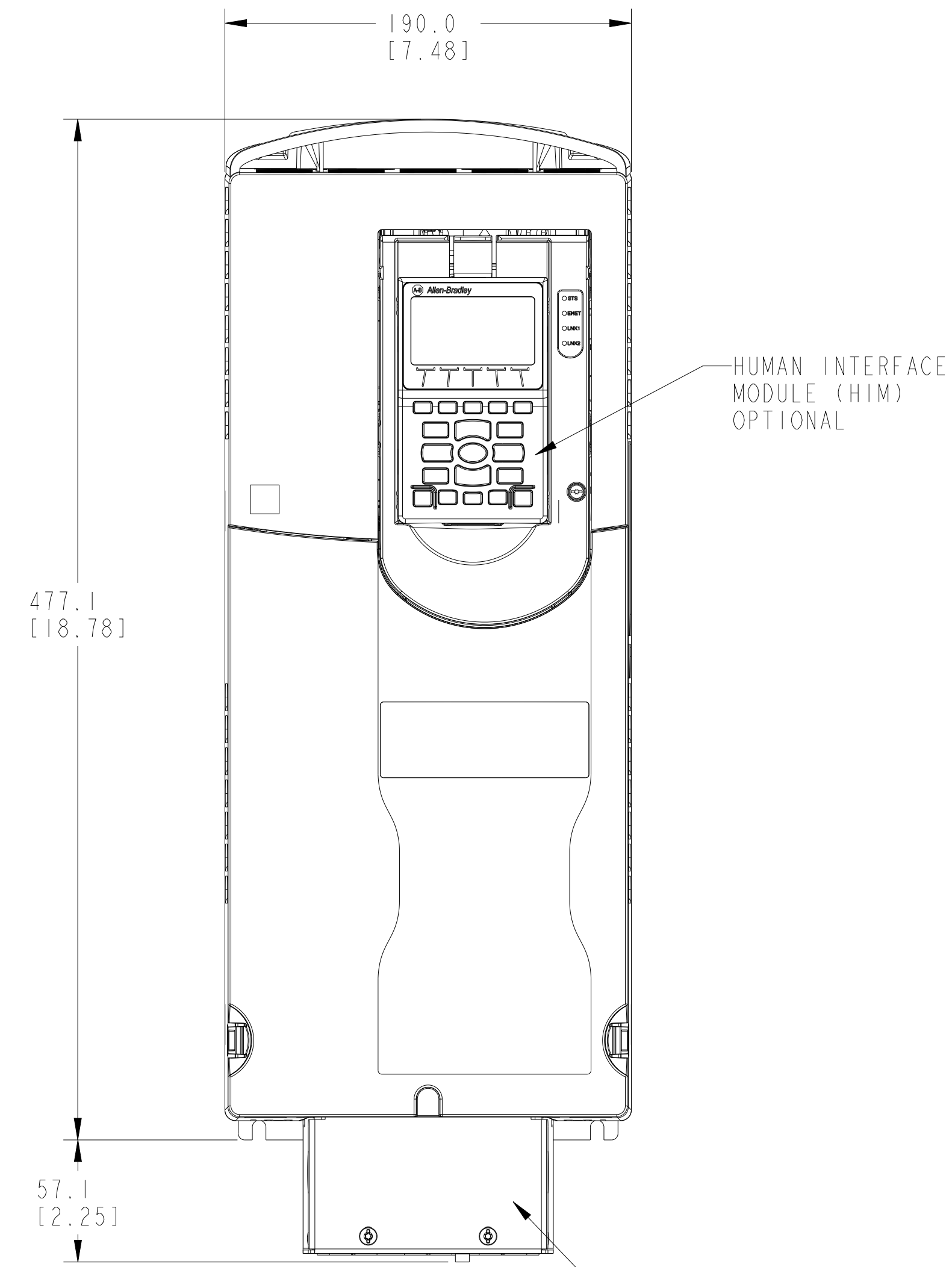
1. DIMENSIONS WITH "CG" REPRESENT THE CENTER OF GRAVITY LOCATION.

		<small>CONFIDENTIAL AND PROPRIETARY INFORMATION. THIS DOCUMENT CONTAINS CONFIDENTIAL AND PROPRIETARY INFORMATION OF ROCKWELL AUTOMATION, INC. AND MAY NOT BE USED, COPIED OR DISCLOSED TO OTHERS, EXCEPT WITH THE AUTHORIZED WRITTEN PERMISSION OF ROCKWELL AUTOMATION, INC.</small>	
		DATE: 2022-02-21	SHEET 2 OF 5
DESCRIPTION	STANDARD-SUBMITTAL PF755TS F-3	SIZE	D1R
CREATED BY: PPOSTUL	CHANGED BY: BMACURA	D	10005567732
			01

TYPE I DRIVE

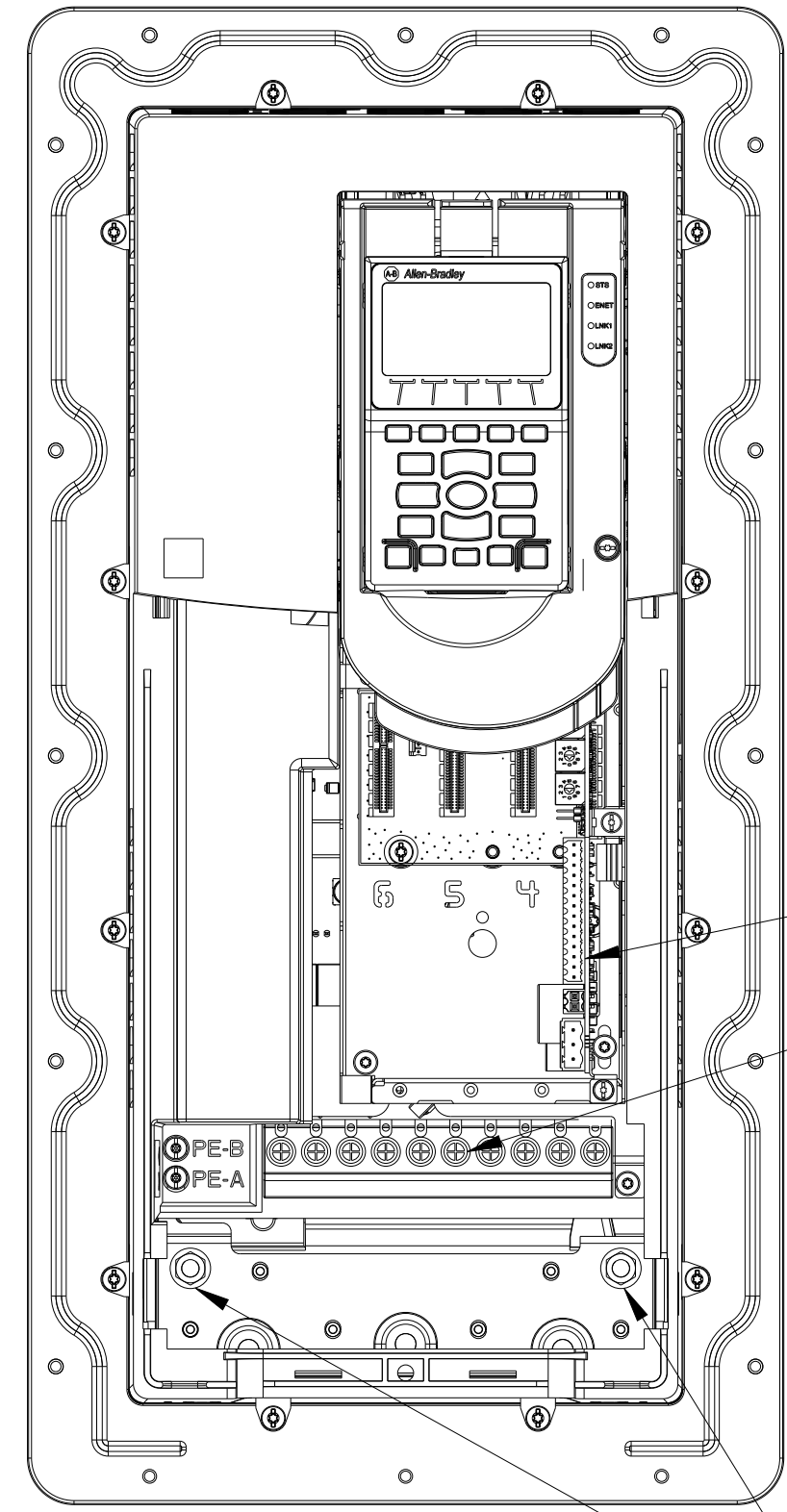


DRIVE COVER REMOVED



		<small>CONFIDENTIAL AND PROPRIETARY INFORMATION. THIS DOCUMENT CONTAINS CONFIDENTIAL AND PROPRIETARY INFORMATION OF ROCKWELL AUTOMATION, INC. AND MAY NOT BE USED, COPIED OR DISCLOSED TO OTHERS, EXCEPT WITH THE AUTHORIZED WRITTEN PERMISSION OF ROCKWELL AUTOMATION, INC.</small>	
		DATE: 2022-02-21	SHEET 3 OF 5
DESCRIPTION	STANDARD-SUBMITTAL PF755TS F-3	SIZE	VER
CREATED BY: PPOSTUL	CHANGED BY: BMACURA	D	10005567732 01

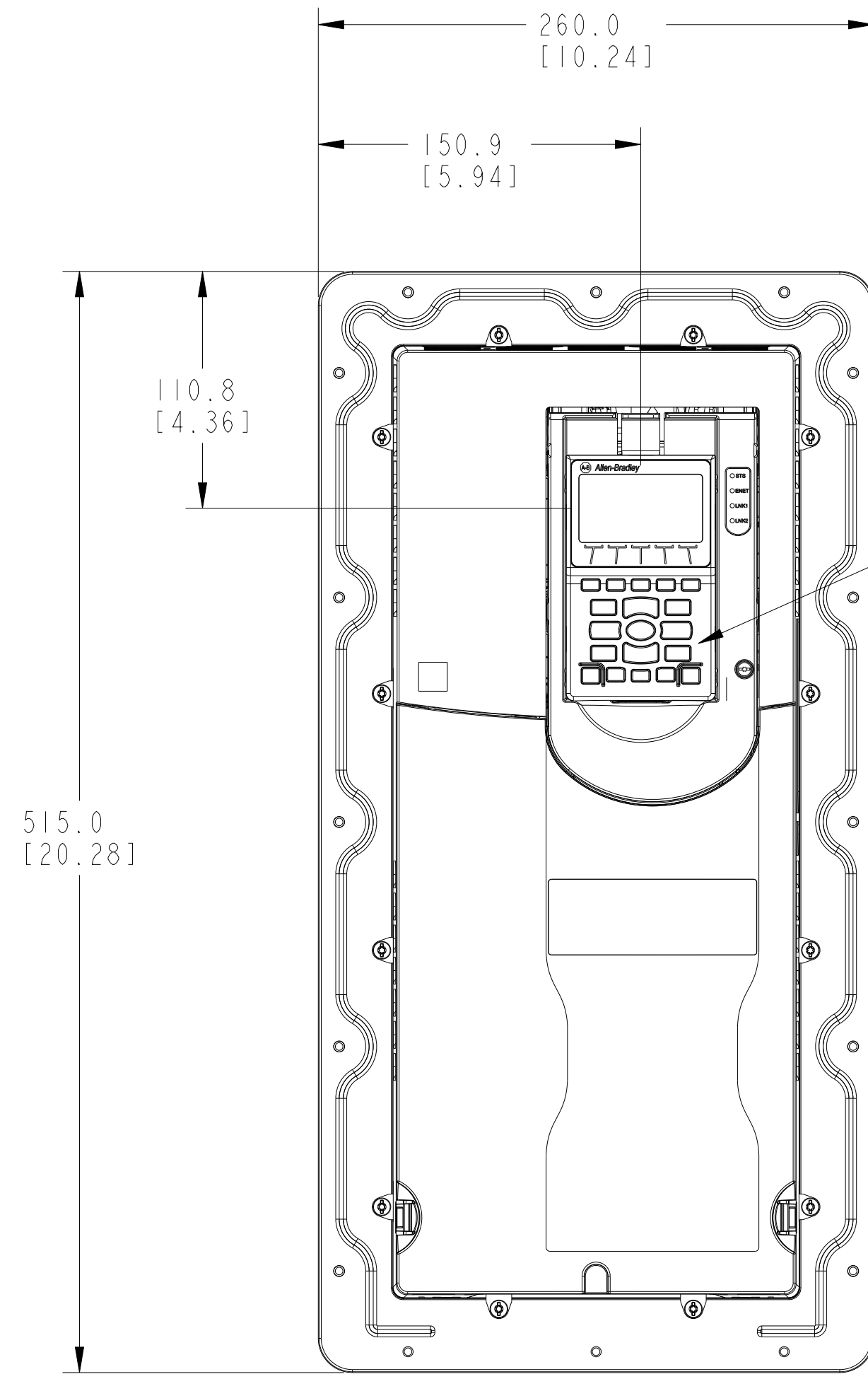
TYPE 4X FLANGE DRIVE



DRIVE COVER REMOVED

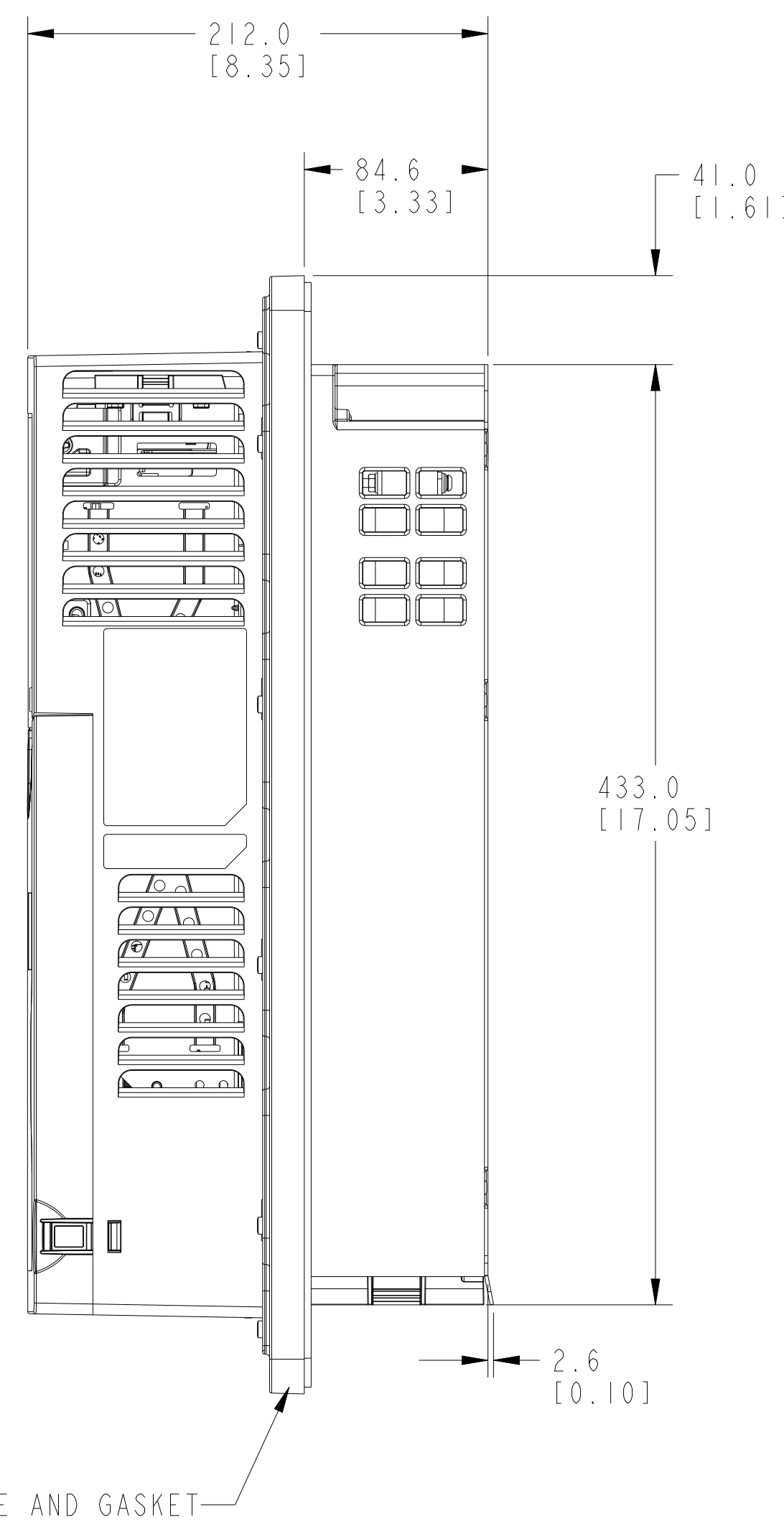
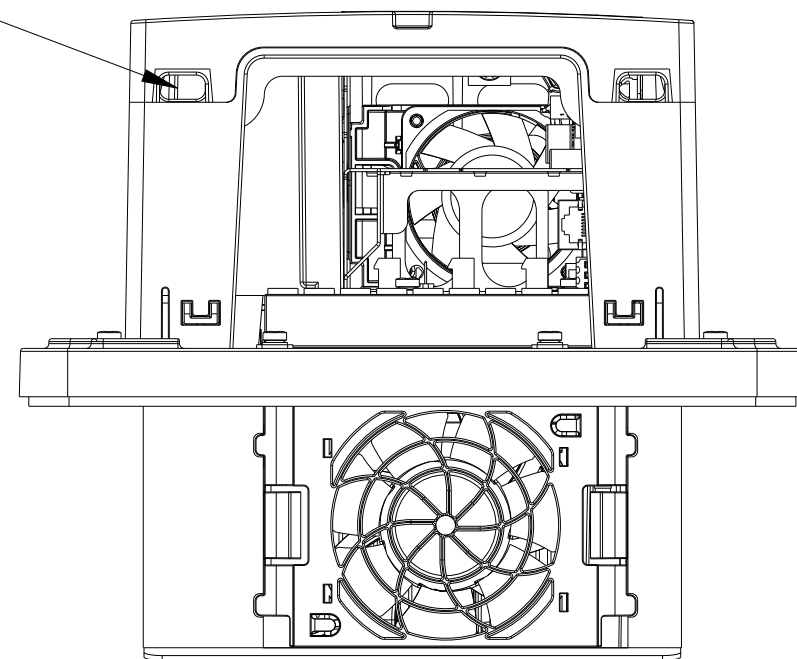
CONTROL BOARD
POWER TERMINAL BLOCK

GROUND CONNECTION



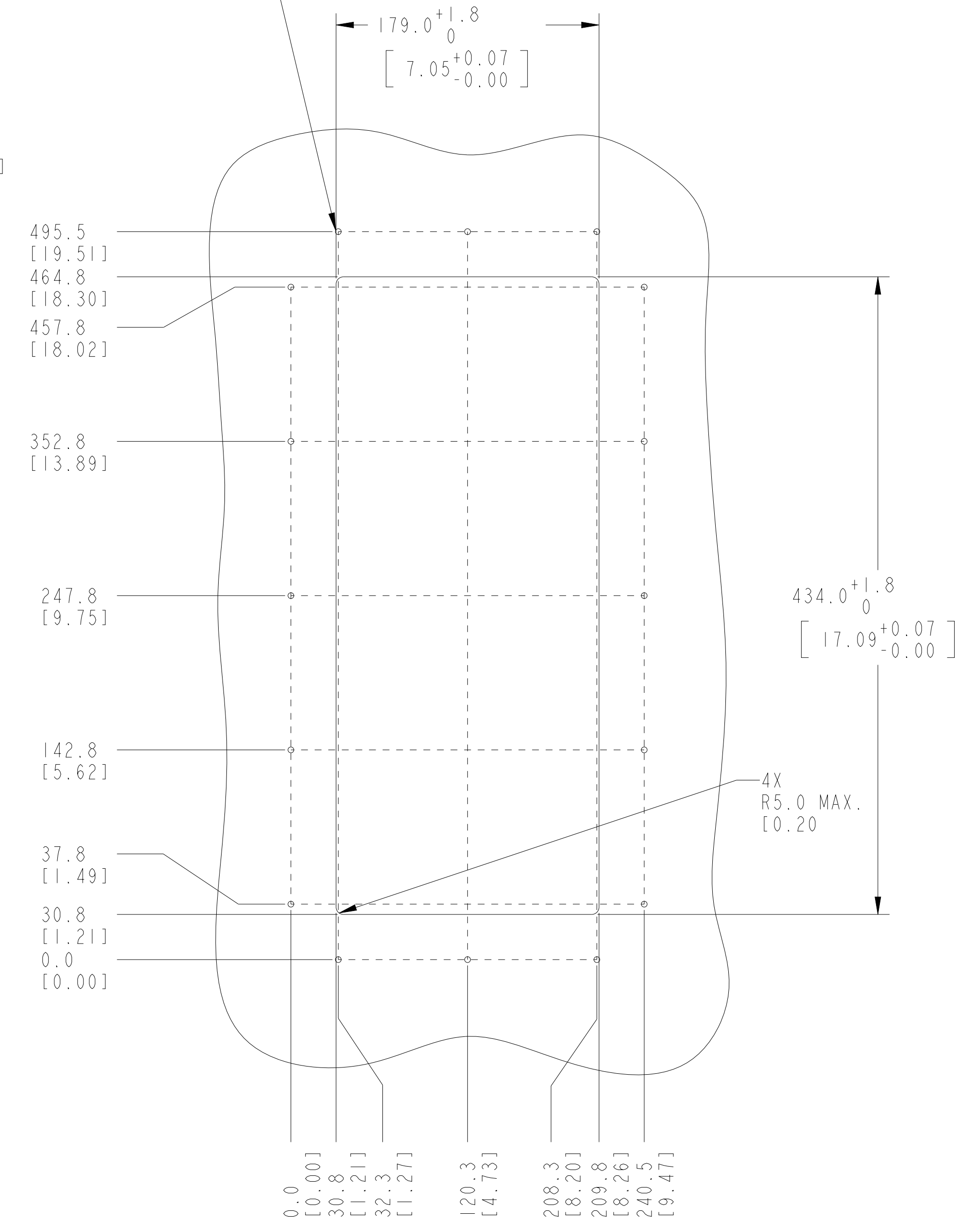
HUMAN INTERFACE MODULE (HIM) OPTIONAL

COMMUNICATION CABLE ENTRY 2 PLACES



FLANGE AND GASKET

16 HOLES AT $\varnothing 4.00$ [0.157] IN MINIMUM 14GA STEEL MOUNTING SURFACE. DEBURR PILOT HOLES AND DRIVE OPENING.



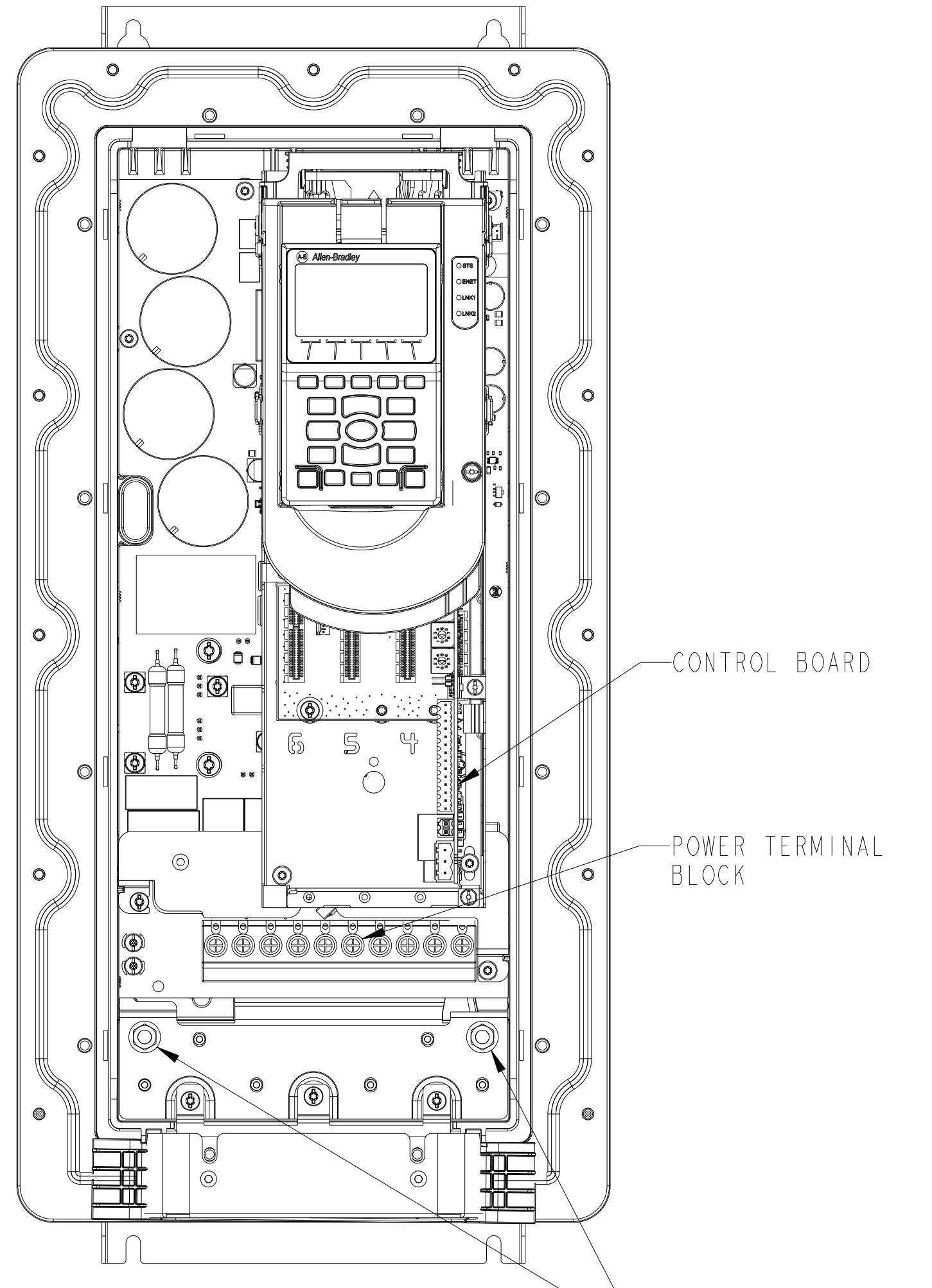
PANEL CUTOUT

NOTE:

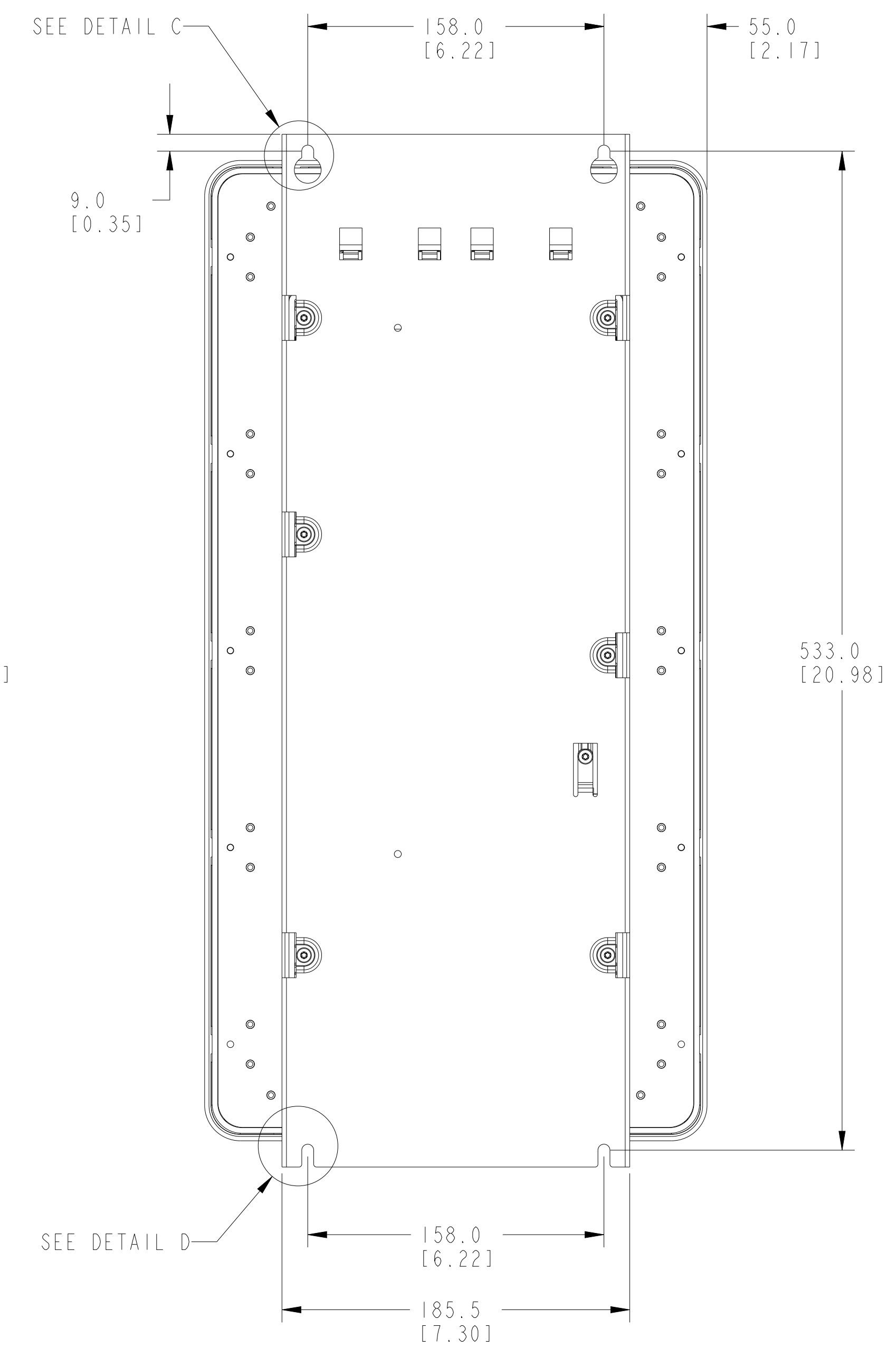
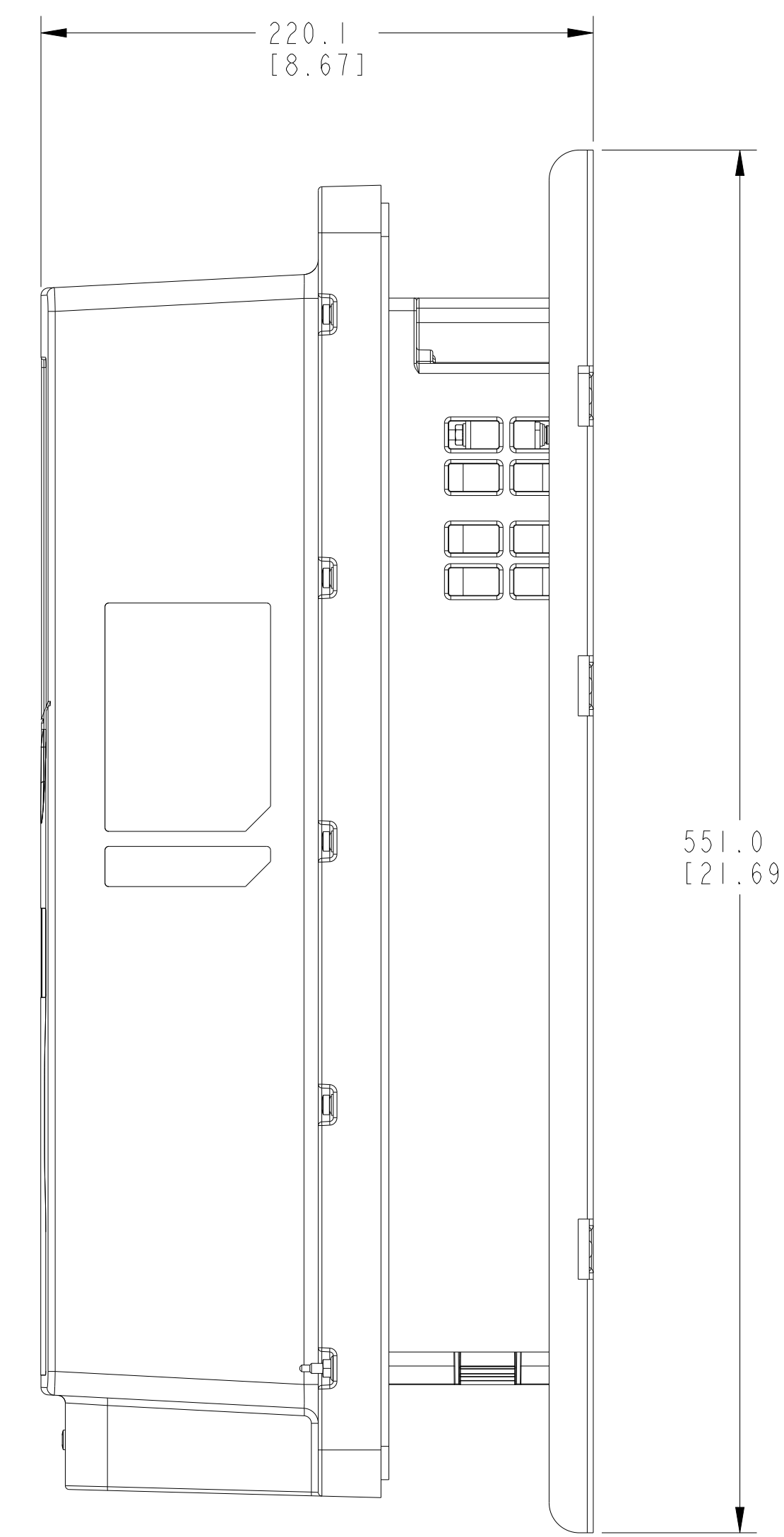
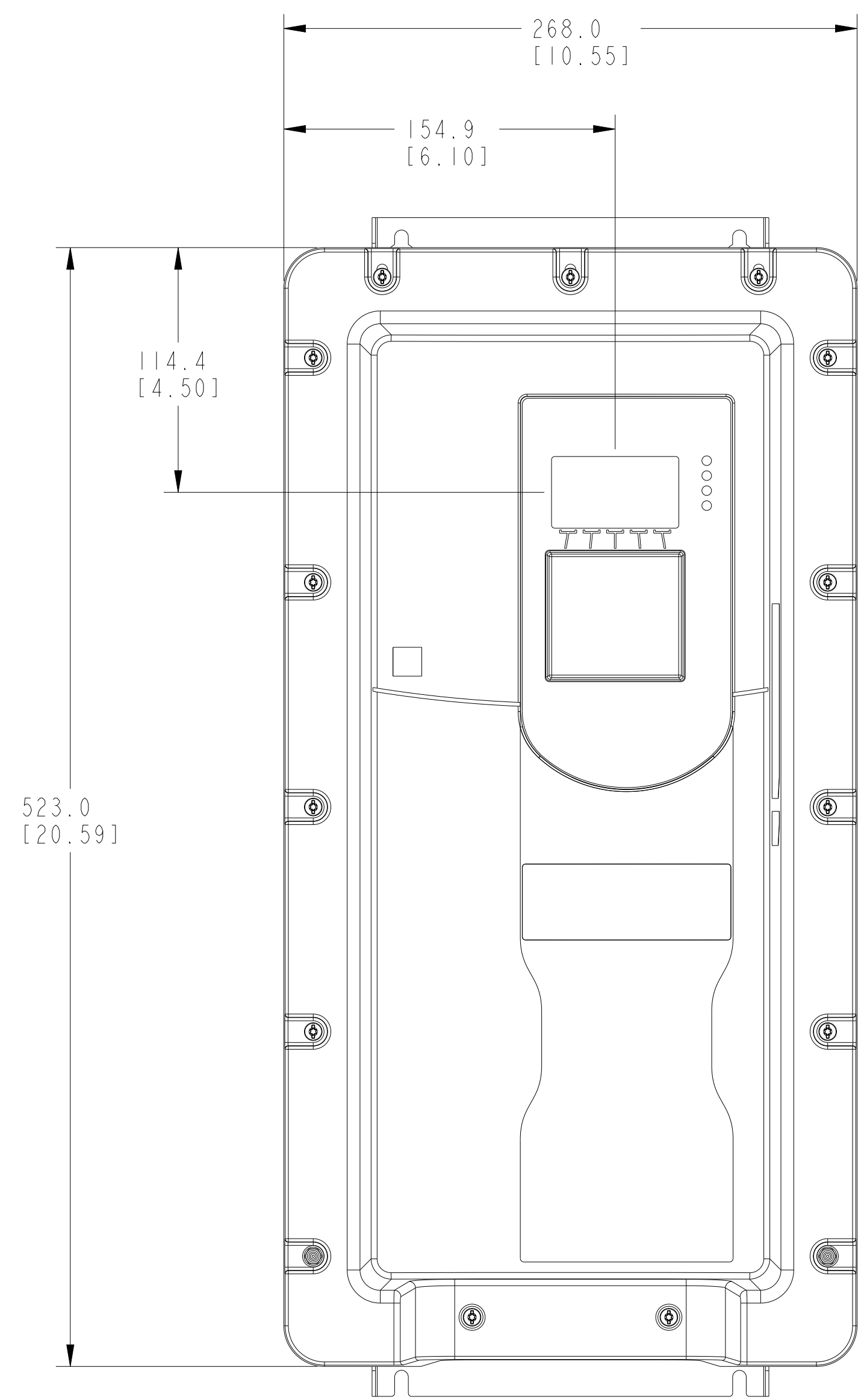
1. MOUNTING HARDWARE SHIPPED WITH DRIVE

		<small>CONFIDENTIAL AND PROPRIETARY INFORMATION. THIS DOCUMENT CONTAINS CONFIDENTIAL AND PROPRIETARY INFORMATION OF ROCKWELL AUTOMATION, INC. AND MAY NOT BE USED, COPIED OR DISCLOSED TO OTHERS, EXCEPT WITH THE AUTHORIZED WRITTEN PERMISSION OF ROCKWELL AUTOMATION, INC.</small>	
		DATE: 2022-02-21	SHEET 4 OF 5
DESCRIPTION	STANDARD-SUBMITTAL PF755TS F-3	SIZE	D1R
CREATED BY: PPOSTUL	CHANGED BY: BMACURA	D	10005567732
			01

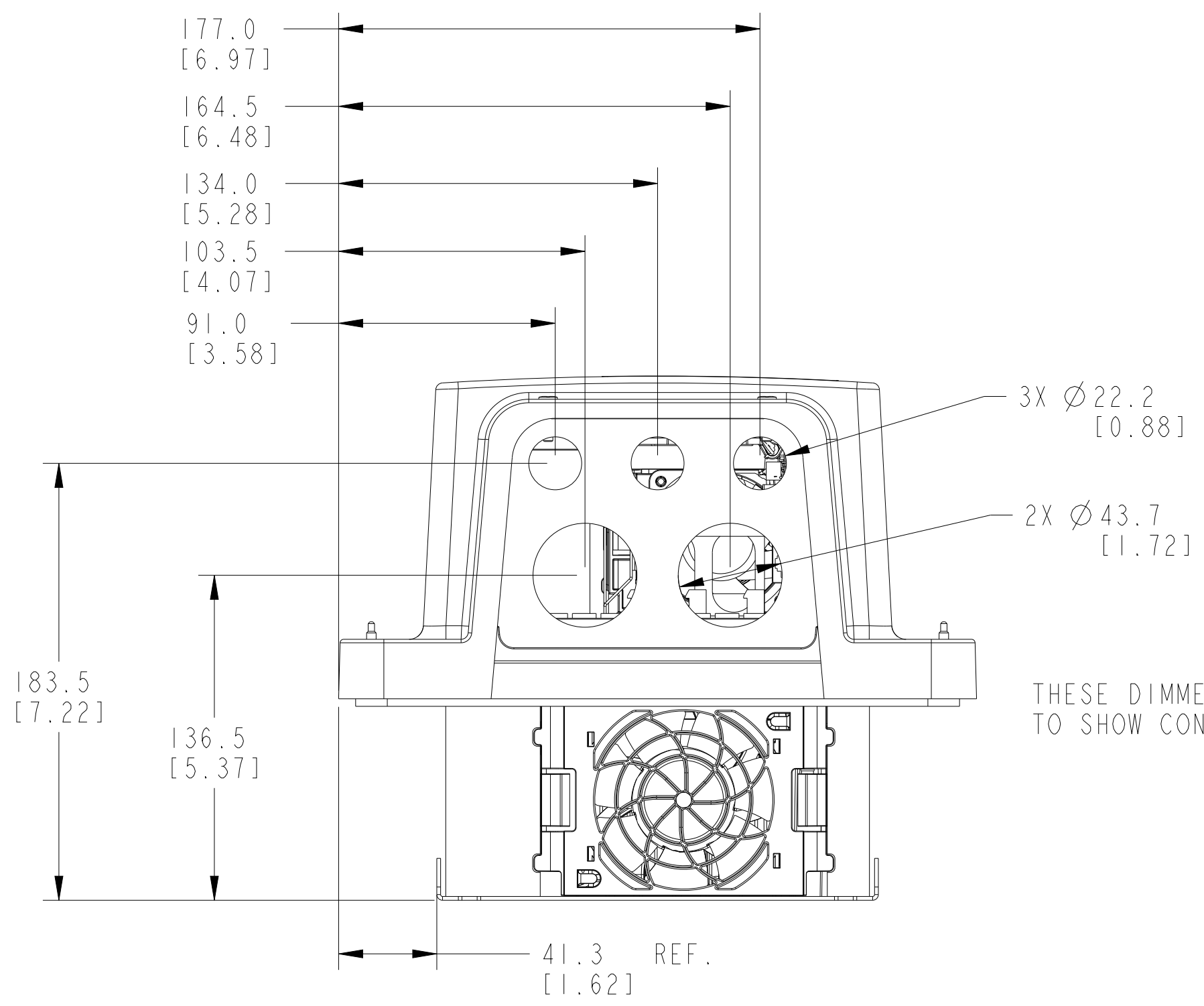
TYPE 12



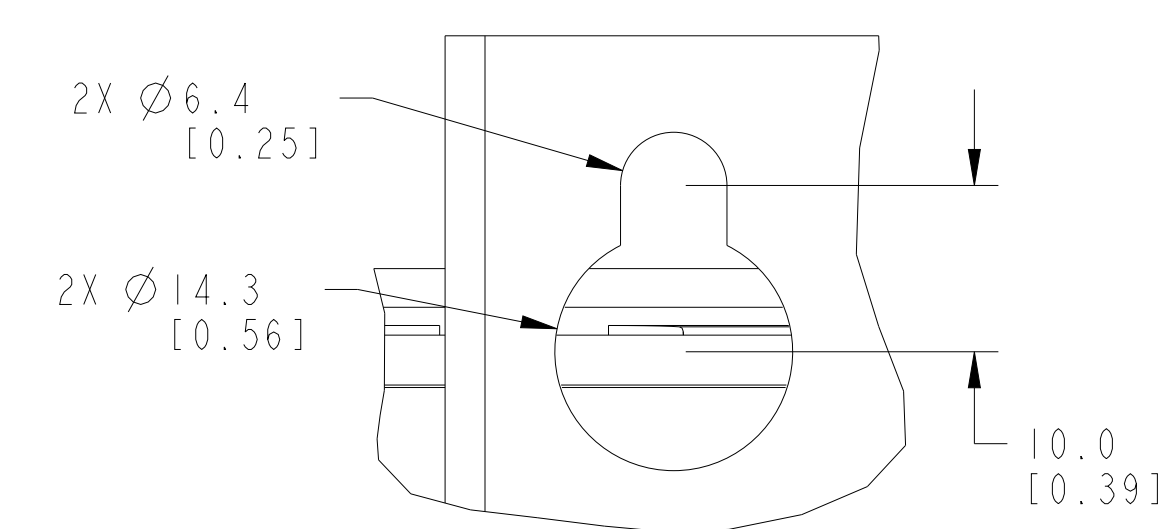
DRIVE COVER REMOVED



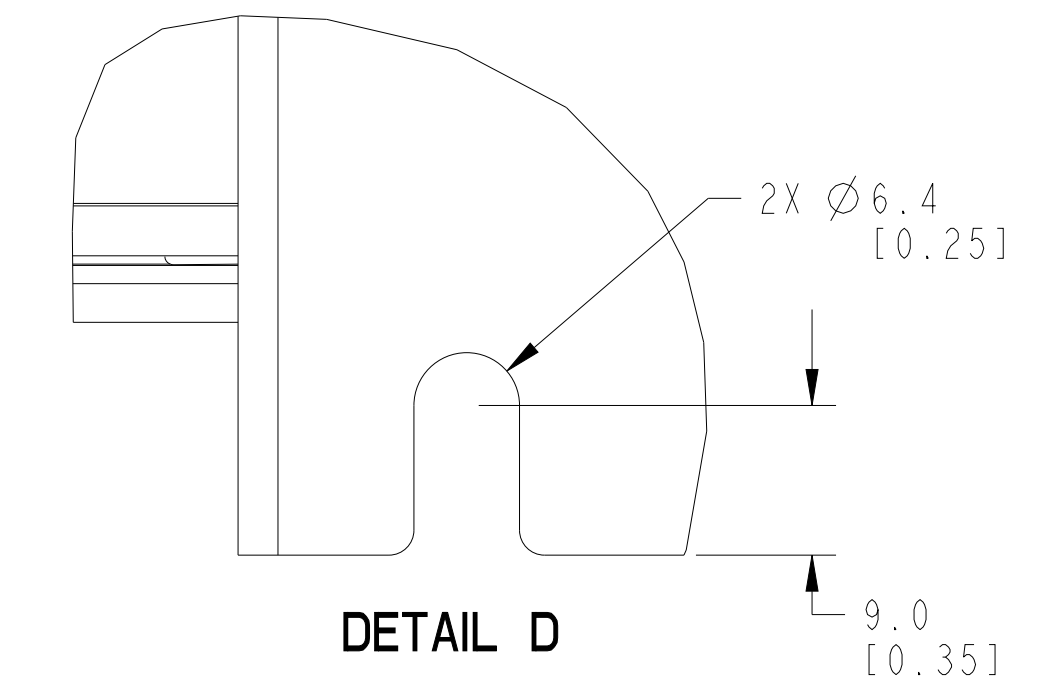
MOUNTING HOLE LOCATIONS



THESE DIMENSIONS ADDED TO SHOW CONDUIT FITTING OPENINGS



DETAIL C



DETAIL D

		<small>CONFIDENTIAL AND PROPRIETARY INFORMATION. THIS DOCUMENT CONTAINS CONFIDENTIAL AND PROPRIETARY INFORMATION OF ROCKWELL AUTOMATION, INC. AND MAY NOT BE USED, COPIED OR DISCLOSED TO OTHERS, EXCEPT WITH THE AUTHORIZED WRITTEN PERMISSION OF ROCKWELL AUTOMATION, INC.</small>	
		DATE: 2022-02-21	SHEET 5 OF 5
DESCRIPTION	STANDARD-SUBMITTAL PF755TS F-3	SIZE D1R	VER
CREATED BY: PPOSTUL	CHANGED BY: BMACURA	D	10005567732 01