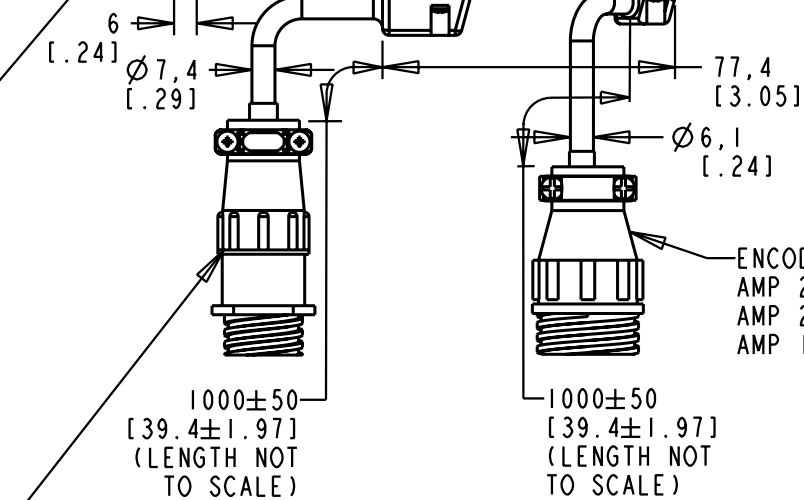


SHAFT DETAIL (NO SCALE)

KEY SUPPLIED
4+0, -0,030 x
4+0, -0,030 x
15
OPTIONAL Ø24xØ14x5
SHAFT SEAL



POWER CONNECTOR
AMP 206705-2 HOUSING
AMP 206966-7 BACKSHELL
AMP 66098-9 PIN CONTACTS (U,V,W)
AMP 164161-4 PIN CONTACT (GROUND)
AMP 66106-8 PIN CONTACTS (MBRK+, MBRK-)

ENCODER CONNECTOR
AMP 206152-1 HOUSING
AMP 206070-8 BACKSHELL
AMP 1658540-4 PIN CONTACTS

PIN-OUT		
POWER CONNECTOR		
PIN	FUNCTION	COLOR
1	U	RED
2	V	WHITE
3	W	BLACK
4	-	-
5	GROUND	YELLOW/GREEN
6	-	-
7	MBRK+	YELLOW
8	-	-
9	MBRK-	BLUE

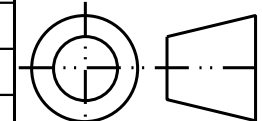
PIN-OUT		
ENCODER CONNECTOR		
PIN	FUNCTION	COLOR
1-5	-	-
6	BAT+	BROWN
7-12	-	-
13	DATA+	BLUE
14	DATA-	BLUE/BLACK
15-21	-	-
22	EPWR 5V	RED
23	ECOM & BAT-	BLACK
24	SHIELD	DRAIN WIRE
25-28	-	-

NOTES:

1. FOR ADDITIONAL SPECIFICATIONS SEE 10000005501, CATALOG NO. TLY-A230P-BJ64AA.

REFERENCES	
VERSION/ CHANGE NUMBER	UNLESS OTHERWISE SPECIFIED
00	10003216

DO NOT SCALE DRAWING
DIMENSIONS ARE IN
MILLIMETERS WITH
INCHES REFERENCED (X)
UNTOLERANCED
DIMENSIONS ARE
REFERENCE
3RD ANGLE PROJECTION



DESCRIPTION
TLY-A230P-BJ64AA, ESM



DR. S. JOHNSON | DATE 7/02/07 | SHEET 1 OF 1
DXF 2D OR STEP 3D FILE AVAILABLE

CAD DOCUMENT	
Allen-Bradley	
DWG. SIZE	DOCUMENT NUMBER
B	10000005605