

FRAME-STACKS	BRAKE OPTION	MOTOR DIMENSIONS		CATALOG STRING	APPROX MOTOR BODY WEIGHT KG [LBS]
		L	LC		
130-4	2	271,5 [10.69]	194,8 [7.67]	VPH-x1304x-xxx2xxx	22.4 [49.4]
	4	309,4 [12.18]	232,7 [9.16]	VPH-x1304x-xxx4xxx	25.6 [56.4]

CABLE LENGTH OPTION	CABLE TYPE	CABLE LENGTH DIMENSION	CATALOG STRING	APPROX CABLE WEIGHT KG [LBS]
		C		
01	FLEX	1000 [39.37] (1 METER)	VPH-x130xx-xx0xx01	0.4 [0.9]
			VPH-x130xx-xx1xx01	0.5 [1.1]
03	FLEX	3000 [118.11] (3 METERS)	VPH-x130xx-xx0xx03	1.2 [2.6]
			VPH-x130xx-xx1xx03	1.5 [3.3]
05	FLEX	5000 [196.85] (5 METERS)	VPH-x130xx-xx0xx05	1.6 [3.4]
			VPH-x130xx-xx1xx05	2.5 [5.5]
07	FLEX	7000 [275.59] (7 METERS)	VPH-x130xx-xx0xx07	2.7 [6.0]
			VPH-x130xx-xx1xx07	3.5 [7.7]
09	STANDARD	9000 [354.33] (9 METERS)	VPH-x130xx-xx0xx09	3.5 [7.7]
			VPH-x130xx-xx1xx09	4.7 [10.3]
12	STANDARD	12000 [472.44] (12 METERS)	VPH-x130xx-xx0xx12	4.7 [10.2]
			VPH-x130xx-xx1xx12	5.6 [12.3]
15	STANDARD	15000 [590.55] (15 METERS)	VPH-x130xx-xx0xx15	5.8 [12.8]
			VPH-x130xx-xx1xx15	6.7 [14.8]

TYPE OF BEND RADIUS	TYPE OF CABLE	MINIMUM BEND RADIUS
STATIC BEND RADIUS	STANDARD	119 [4.7]
	FLEX	
CONTINUOUS BEND RADIUS	FLEX	170 [6.7]

- NOTES:
- DXF OF THIS DRAWING MUST BE SCALED TO LENGTH. SEE MOTOR DIMENSIONS CHART.
  - 3D STEP (.stp) FILES ARE AVAILABLE FOR ALL MOTOR CONFIGURATIONS.
  - FOR ADDITIONAL SPECIFICATIONS SEE ESE DRAWING DIR 10004356352.
  - APPROX TOTAL MOTOR WEIGHT EQUALS MOTOR BODY WEIGHT PLUS CABLE WEIGHT (SEE CHARTS).
  - MOTOR OUTER BODY MATERIAL: 316 STAINLESS STEEL
  - VPH CATALOG STRING CODE:

BRAKE:  
2 = NO BRAKE  
4 = BRAKE

CONNECTOR:  
0 = FLYING LEADS  
1 = SINGLE SPEEDTEC DIN CONNECTOR

CABLE LENGTH:  
SEE CHART

UNLESS OTHERWISE SPECIFIED  
DO NOT SCALE DRAWING  
DIMENSIONS ARE IN  
MILLIMETERS WITH  
INCHES REFERENCED (X)  
DIMENSIONS ARE  
REFERENCE  
3RD ANGLE PROJECTION

**Rockwell Automation**

VPH, F130, ESM

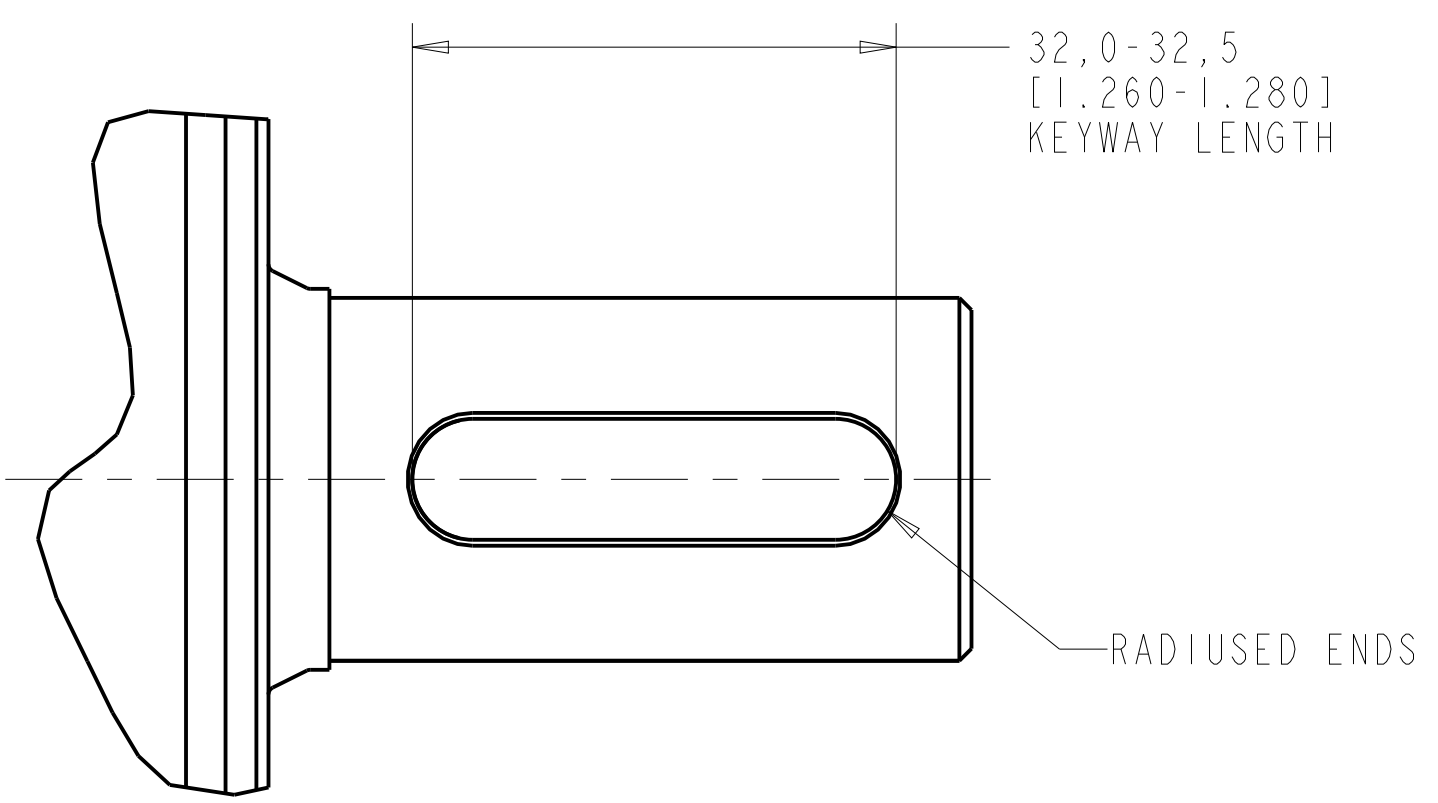
CONFIDENTIAL AND PROPRIETARY INFORMATION  
THIS DOCUMENT CONTAINS CONFIDENTIAL AND PROPRIETARY  
INFORMATION OF ROCKWELL AUTOMATION, INC. AND MAY  
NOT BE USED, COPIED OR DISCLOSED TO OTHERS, EXCEPT  
WITH THE AUTHORIZED WRITTEN PERMISSION OF ROCKWELL  
AUTOMATION, INC.

SHEET 1 OF 2

SIZE D1R  
D 10003677470

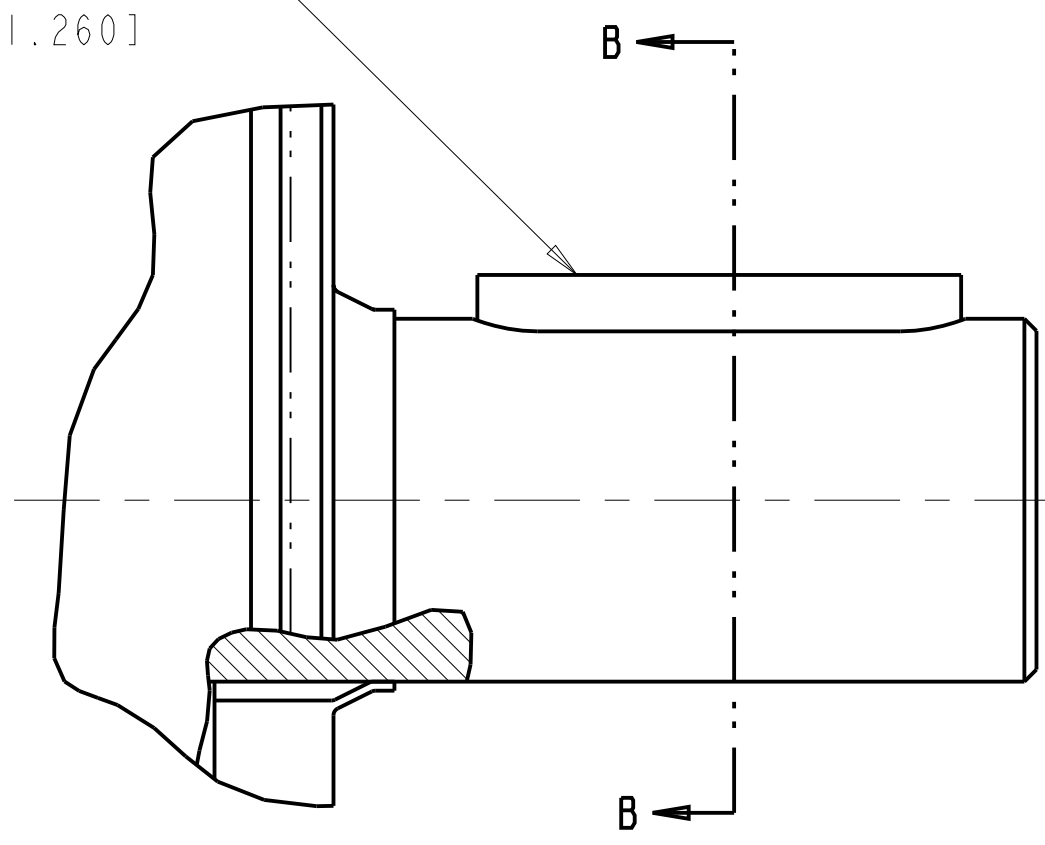
VER 00

DESCRIPTION  
DRAWN BY: SRGADDAM DATE: DEC-06-2018

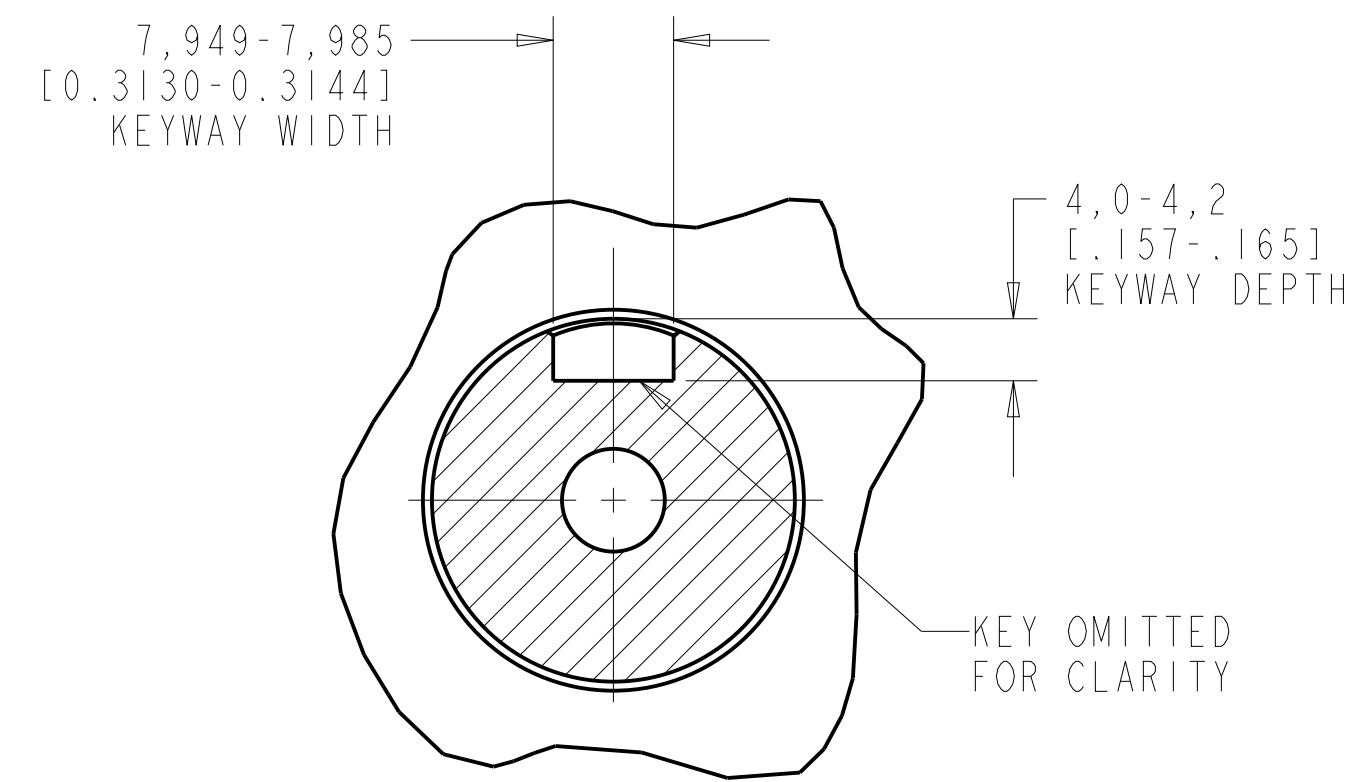


RADIUSED ENDS

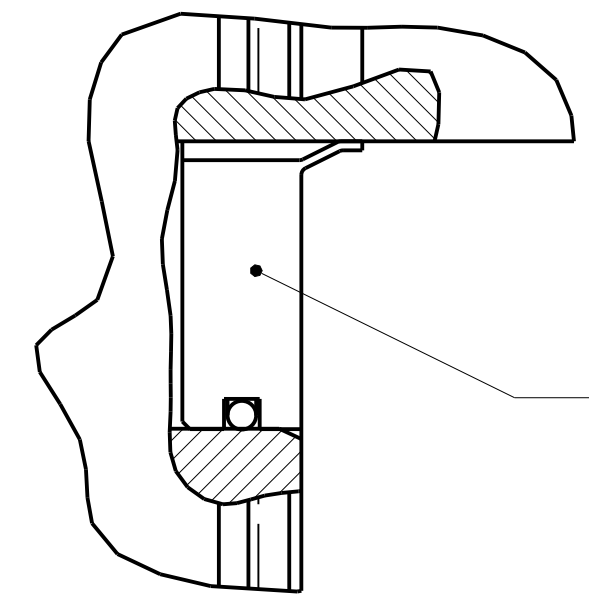
KEY SUPPLIED  
 $8^{+0}_{-0,036}$  X  $7^{+0}_{-0,090}$  X 32  
 [1.315 X .276 X 1.260]



DETAIL B  
 SH 1, ZONE D6  
 SCALE 2.000



SECTION B-B



SHAFT SEAL  
 $\varnothing 62$  X  $\varnothing 24$  X 7.9  
 [2.441 X  $\varnothing 0.945$  X .31]  
 REFERENCE REPLACEMENT SHAFT SEAL KIT  
 CATALOG NUMBER: VPH-SST-F130

DETAIL A  
 SH 1, ZONE E5  
 SCALE 2.000

CONNECTOR OPTION "0"		
FLYING LEADS		
WIRE COLOR	AWG	FUNCTION
BROWN	14	U
BLACK	14	V
BLUE	14	W
GREEN/YELLOW	14	GND
BLUE	22	DSL +
BLACK	18	MBRK +
WHITE	18	MBRK -
WHITE/BLUE	22	DSL -
-	-	-
APPLICABLE CATALOG STRINGS		
VPH-x165xx-xx0xxxx		

CONNECTOR OPTION "1"	
M923 EXTENSION CONNECTOR	
PIN ID	FUNCTION
A	U
B	V
C	W
$\varnothing$	GND
E	DSL +
F	MBRK +
G	MBRK -
H	DSL -
L	-
APPLICABLE CATALOG STRINGS	
VPH-x165xx-xx1xxxx	

